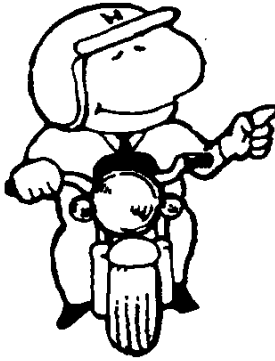


Abbreviations used in the parts catalogue

RIGHT is abbreviated as "R."



"L." stands for LEFT

* "L." or "R." in the description of a part stands for the LEFT hand side or the RIGHT hand side. Determine the left or right as if you were in the motorcycle seat.

• The following abbreviations are used in this parts catalogue.

A	Ampere	L.	Left
ABS	Anti-lock brake system	L (100L) .	Link (100 Links)
A.C.	Alternating current	L.E.D.	Light emitted diode
A.M.	Attaching mark	MM	Millimeter
ASSY.	Assembly	MPH	Miles per hour
C.D.I.	Capacitive discharge ignition	R.	Right
COMP. ...	Complete	RR.	Rear
D.C.	Direct current	STD.	Standard
EX.	Exhaust	T (22T) ...	Tooth (22 Teeth)
FR.	Front	TCS	Traction control system
G	Gram	T.M.	Transcript mark
HEX.	Hexagonal	V	Volt
IN.	Inlet	W	Watt
KPH	Kilometers per hour	WL	With labelling
		WOL	Without labelling

Color chart

- When ordering a colored part, refer to the chart below and use a part number consisting of the relevant basic part number to which has been added a part color code.

Deauville (NT700V6)

MODEL		NT700V6									
COLOR		Petrol blue metallic	Pearl concours black	Shasta white	Anchor gray metallic-U	Dusk beige metallic	Applicable model		Applicable block No.	Ref. No.	
CODE		B-183M	NH-A65P	NH-138	NH-229M-U	YR-264M	Initial applicable model	Final applicable model			
No.	Name of colored parts	Basic part No.	B183	NHA65	NH138	NH229	YR264				
1	COWL SET, L. MIDDLE	64330-MEW-920	ZE	ZF	ZJ	ZK	ZH			F-36	11
2	COWL SET, R. MIDDLE	64230-MEW-920	ZE	ZF	ZJ	ZK	ZH			F-36	3
3	FENDER ASSY., FR.	61100-MBL-D00	ZT	ZU	ZA	ZW	ZV			F-8	1
4	LABEL, COLOR	87565-MEW-920	ZC	ZB	ZE	ZD	ZA			F-39	9
5	LID ASSY., L. SADDLEBAG	81330-MEW-920	ZE	ZF	ZA	ZH	ZG			F-38-1	9
6	LID ASSY., R. SADDLEBAG	81230-MEW-920	ZE	ZF	ZA	ZH	ZG			F-38	7
7	MARK, L. WING	64223-MEW-920	ZC	ZB	ZE	ZD	ZA			F-40	5
8	MARK, R. WING	64222-MEW-920	ZC	ZB	ZE	ZD	ZA			F-40	4
9	POCKET, L. COWL	64341-MEW-920	ZA	ZB	ZC	ZE	ZD			F-37	8
10	POCKET, R. COWL	64241-MEW-920	ZA	ZB	ZC	ZE	ZD			F-37	2
11	RAIL, L. GRAB	77410-MEW-920	ZB	ZB	ZB	ZB	ZB			F-18	15
12	RAIL, R. GRAB	77310-MEW-920	ZB	ZB	ZB	ZB	ZB			F-18	11
13	TANK SET, FUEL	17500-MEW-920	ZE	ZF	ZA	ZH	ZG			F-17	4

Color label

- When ordering parts, check the model name, main color, and code by observing the "COLOR LABEL" on the vehicle.
- When ordering a colored part, use the color chart in the instruction for use of parts catalogue.

		MODEL		VFR800FIW					
		COLOR		Sparkling silver metallic	Mute black metallic	Applicable model			
No.	CODE			NH-295M	NH-359M	Initial applicable model	Final applicable model	Applicable block No.	Re
		Name of colored parts	Basic part No.	NH295	NH359				
1									
2									
3									
4									
5									
6									
7									
8									
9									
10									

VFR800FIW
COLOR R-157
CODE R157

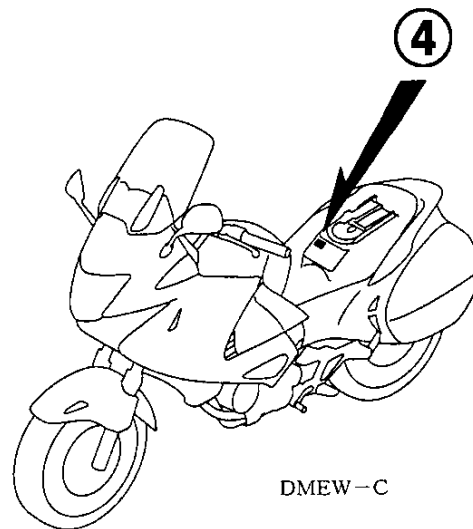
Color label attachment position check

Colored parts



Color label

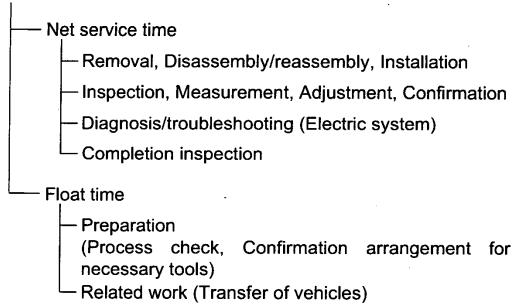
④



FLAT RATE SERVICE TIME

Flat rate service time (FRT) means the standard time required to service a MC, which is listed in this manual to help the dealers control the actual working process and calculate the service charge by using it as a guide.

FRT setting system



* Float time is set by multiplying the net service time by a given coefficient.

Editorial style

The service items shown in the text are listed with the exchange work time for the repair sales parts as the subject. Other representative service items not using repair parts (removal/installation, adjustment, inspection/measuring, and other work) are listed collectively in the list in the preface, classified according to the work.

FRT setting standard

- Decimal system (in unit of 0.1) is adopted to set FRT as it is convenient to calculate the wage.
Example: (0.1) → 6 minutes, (0.2) → 12 minutes
[Labor cost per hour] x [FRT] = [Wage]
- FRT is set with a hand tool.
- Service items and FRT can be subject to change depending on development of tools and service equipment and improvement in service procedure.

Fuel hose, general purpose hoses and vinyl hose

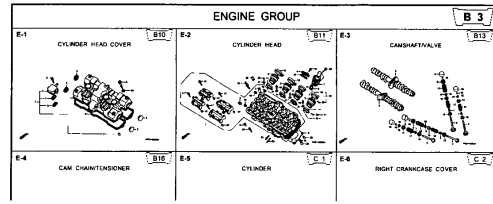
- The standard part fuel hose, general purpose hose and vinyl hose may be substituted by the coiled bulk part.
- When ordering the standard part fuel hose, general purpose hose and vinyl hose use the bulk part number written in the parts catalogue in brackets () underneath the part name, or use the catalogue below.
(The bulk part standard length is 1 m, however, those displayed in the catalogue < > are available in 3 m and 8 m lengths.)
- When exchanging the hose, cut and use at the specified length as mentioned in the part name.
(For the method of cutting the bulk part, and method of filling out orders etc., please refer to the service manual and the instructions issued with the bulk part.)
- The list below is a catalogue of the standard part numbers and bulk part numbers. Note that those numbers are applicable to the listed replacement parts only.

Fuel hoses/Tubes			
Standard part No.	Bulk part No.	Bulk part	
		Inner diameter (mm)	Length (m)
95001-30xxx-2x	95001-30001-20M	3.0	1
95001-30xxx-3x	95001-30001-30M	3.0	1
95001-30xxx-4x	95001-30001-40M	3.0	1
95001-35xxx-2x	95001-35001-50M <95001-35003-50M>	3.5	1 3
95001-35xxx-3x	95001-35001-60M <95001-35003-60M>	3.5	1 3
95001-35xxx-4x	95001-35001-60M <95001-35003-60M>	3.5	1 3
95001-35xxx-5x	95001-35001-50M <95001-35003-50M>	3.5	1 3
95001-35xxx-6x	95001-35001-60M <95001-35003-60M>	3.5	1 3
95001-45xxx-2x	95001-45001-50M <95001-45003-50M>	4.5	1 3
95001-45xxx-3x	95001-45001-60M <95001-45003-60M> <95001-45008-60M>	4.5	1 3 8
95001-45xxx-4x	95001-45001-60M <95001-45003-60M> <95001-45008-60M>	4.5	1 3 8
95001-45xxx-5x	95001-45001-50M <95001-45003-50M>	4.5	1 3
95001-45xxx-6x	95001-45001-60M <95001-45003-60M> <95001-45008-60M>	4.5	1 3 8
95001-55xxx-2x	95001-55001-50M <95001-55003-50M> <95001-55008-50M>	5.5	1 3 8

Fuel hoses/Tubes			
Standard part No.	Bulk part No.	Bulk part	
		Inner diameter (mm)	Length (m)
95001-55xxx-3x	95001-55001-60M <95001-55003-60M> <95001-55008-60M>	5.5	1 3 8
95001-55xxx-4x	95001-55001-60M <95001-55003-60M> <95001-55008-60M>	5.5	1 3 8
95001-55xxx-5x	95001-55001-50M <95001-55003-50M> <95001-55008-50M>	5.5	1 3 8
95001-55xxx-6x	95001-55001-60M <95001-55003-60M> <95001-55008-60M>	5.5	1 3 8
95001-75xxx-2x	95001-75001-50M <95001-75003-50M>	7.5	1 3
95001-75xxx-3x	95001-75001-60M <95001-75003-60M> <95001-75008-60M>	7.5	1 3 8
95001-75xxx-4x	95001-75001-60M <95001-75003-60M> <95001-75008-60M>	7.5	1 3 8
95001-75xxx-5x	95001-75001-50M <95001-75003-50M>	7.5	1 3
95001-75xxx-6x	95001-75001-60M <95001-75003-60M> <95001-75008-60M>	7.5	1 3 8
95001-80xxx-2x	95001-80001-50M	8.0	1
95001-80xxx-3x	95001-80001-60M	8.0	1
95001-80xxx-4x	95001-80001-60M	8.0	1
95001-80xxx-5x	95001-80001-50M	8.0	1
95001-80xxx-6x	95001-80001-60M	8.0	1

How to refer to the part information

A Reference with "Illustrated index"

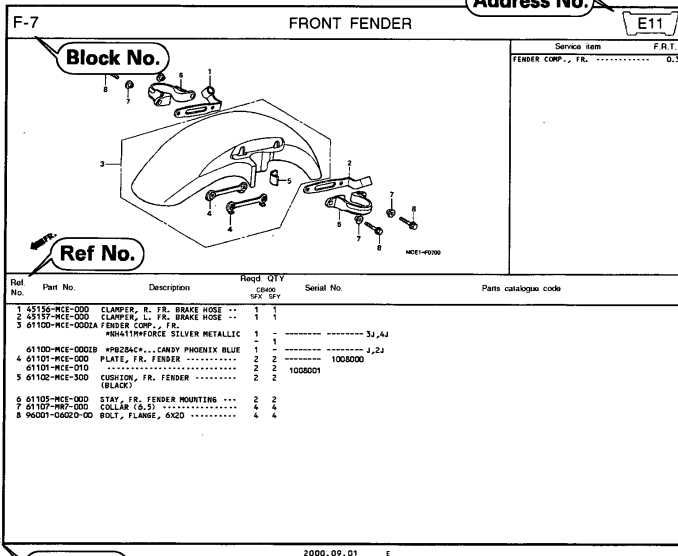


B Reference with "Part number index"

PART NO. INDEX			
Part Number	Address	Page	Rel.
04000			
04011-MCE-000	C10	26	1
04000			
06425-M3-P03	F13	67	3
06440-M3-P10	F13	67	3
06410-M3-P03	F2	56	1
06435-MCE-004	F1	55	1
06451-144-425	E13	51	2
06451-145-425	F1	55	2
06451-M3-425	E13	51	1
06455-MCE-000	E13	51	3
11000			
11210-MCE-000	C9	25	1
11330-MCE-305	C2	18	1
11333-C18-000	C4	22	1
11335-MCE-000	C2	18	2
11350-MCE-000	C2	25	1
11365-MCE-000	C7	23	1
11369-M3P-000	C2	18	1
11631-MCE-000	C5	21	1
11691-M3P-000	C5	21	1

C Reference with "Part name index"

PART NAME INDEX			
Part name	Address	Page	Rel.
[A]			
ADJUSTER, CHAIN	F13	67	5
ARM, L, MAIN STEP	F11	65	8
ARM, R, MAIN STEP	F11	65	8
ARM, L, FILLER STEP	F11	65	12
ARM, R, FILLER STEP	F11	65	11
AUT O COC K ASST., FUEL	F4	38	2
AXLE, FR. WHEEL	F14	52	3
AXLE, RR. WHEEL	F2	56	5
[B]			
BAG, AIR PRESSUR E GAUGE	67	77	4
BAG, SERVICE BOOK	67	77	1
BAG, TOOL	67	77	3
BALL, STEER.	F11	65	20
BAN B A, INSULATOR	B11	11	11
BAN B B, INSULATOR	B11	11	12
BAND, AIR CLEANER CONNECTING	F8	42	22
BAND, U-LOCK	F16	70	3
BAND, WIRE	C10	26	14
	E3	45	21
	E2	74	18



Rel. No.	Part No.	Description	Reqd. QTY	Serial No.	Parts catalogue code
			QTY		
			SIZE	SEY	
1	43130-MCE-000	CLAMPER, R. FR. BRAKE HOSE	1		
2	43137-MCE-000	CLAMPER, L. FR. BRAKE HOSE	1		
3	61100-MCE-000A	FENDER COMP., FR.	1		
		MINI4119 FORCE SILVER METALLIC	1		3,4J
		*PB284+...CANDY PHOENIX BLUE	1		J,2J
4	61101-MCE-000	PLATE, FR. FENDER	2		1008000
	61101-MCE-010		2		
5	61102-MCE-300	CUSHION, FR. FENDER	2		1008000
	61105-MCE-000	STAY, FR. FENDER MOUNTING	2		
	61107-M3P-000	COLLAR (6.5)	4		
	90001-04000-00	BOLT, FLANGE, 6X20	4		

Instruction for use of parts catalogue

- **This parts catalogue has been created as of December 01, 2005.**
 - Since this date, the sales practice for repair parts may have been changed or the parts may have been eliminated (listed for those not for sale).
 - The modified information is reflected on the latest Electronic Parts Catalogue (EPC).
Also, refer to the parts catalogue news for any change.
 - See the parts catalogue news for any revision that is made after December 01, 2005.
- **Always specify the part number when ordering a part.**
 - Check the model, type, serial numbers, color, maker, and the size as needed before ordering a part.
 - Note that the illustrations (part drawings) can differ from the actual parts in shape.
They are given just to help you to refer to the parts.
- **When modifications or additions to this parts catalogue are made, a revised edition will be issued at an appropriate time, with successively progressing revision numbers on the cover. We recommend obtaining such revisions in order to keep your parts catalogue up-to-date at all times. To check whether a parts catalogue revision has been issued, please contact your Honda distributor.**

Initial version issue date
December 01, 2005
Honda Motor Co., Ltd.

Models, parts catalogue codes and applicable serial numbers

Models, parts catalogue codes and applicable serial Nos. given in this parts catalogue can be identified as follows.

Parts with parts catalogue codes are exclusive for models destined for countries designated.

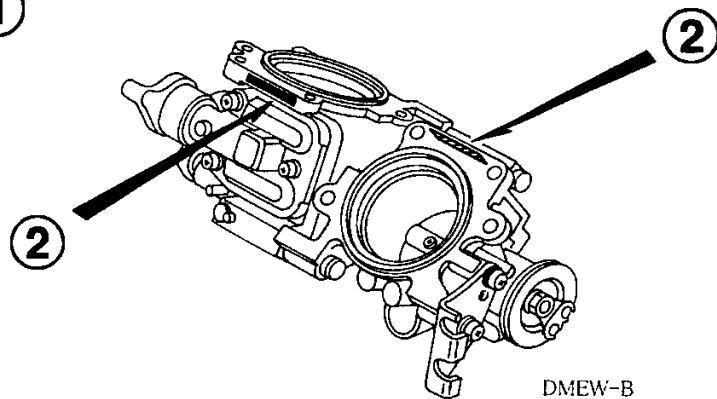
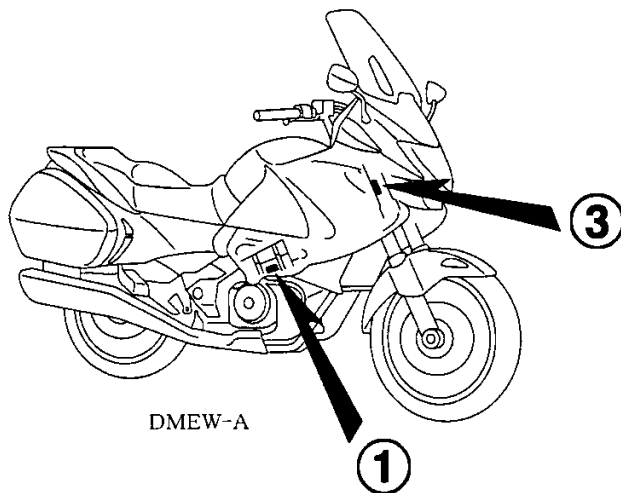
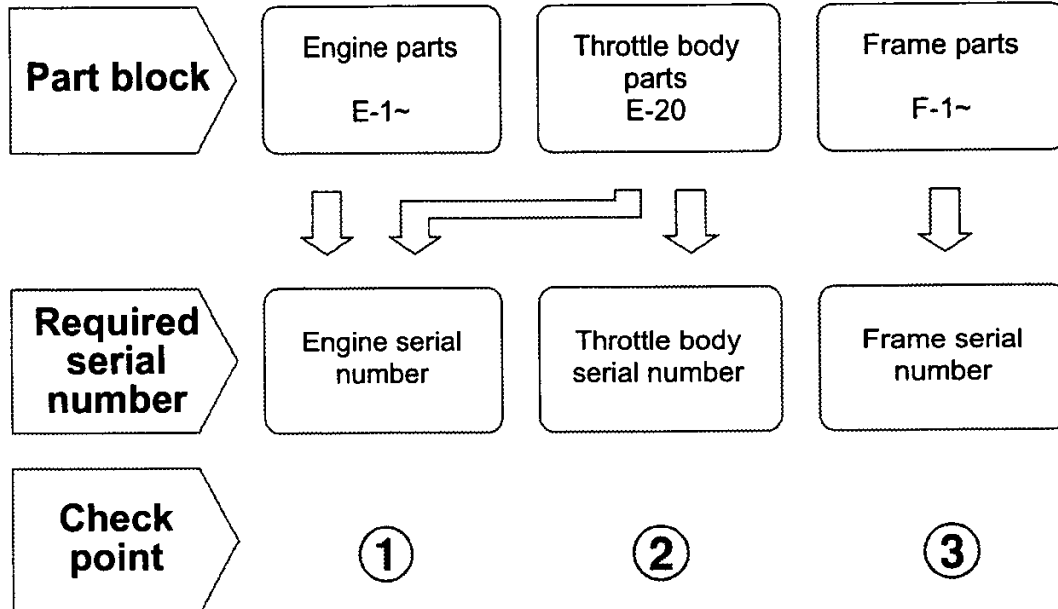
If no area codes are listed, parts are for common use.

Model	Parts catalogue code	Type	Applicable engine serial No.	Applicable frame serial No.	Applicable throttle body serial No.
NT700V6	E	England	RC52E-0000001~	VTMRC52A06E000001~	GQ66A A
	ED	European direct sales	RC52E-0000001~	VTMRC52A06E000001~	
	F	France	RC52E-0000001~	VTMRC52A06E000001~	
	U	Australia	RC52E-0000001~	VTMRC52A06E000001~	
NT700VA6	E	England	RC52E-0000001~	VTMRC52B06E000001~	GQ66A A
	ED	European direct sales	RC52E-0000001~	VTMRC52B06E000001~	
	F	France	RC52E-0000001~	VTMRC52B06E000001~	

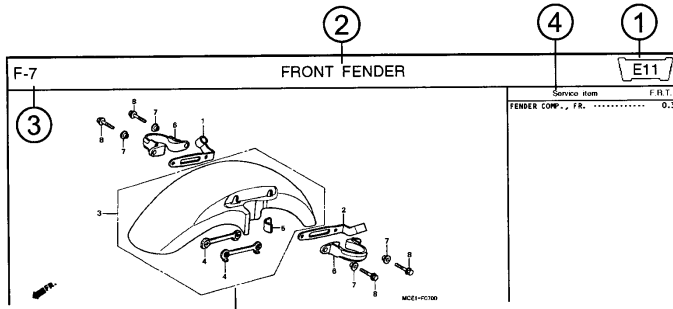
* Of carburetor/throttle body identification numbers, only the portions underlined in the example below are used for registration.

GQ66A A KC ア

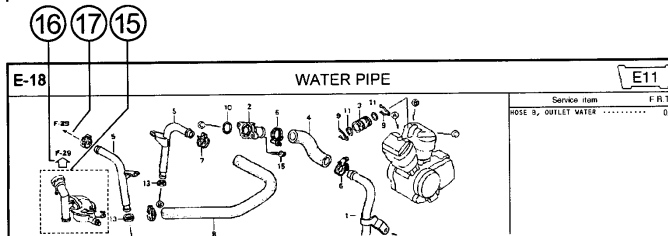
Part block and serial number check



Part catalogue structure

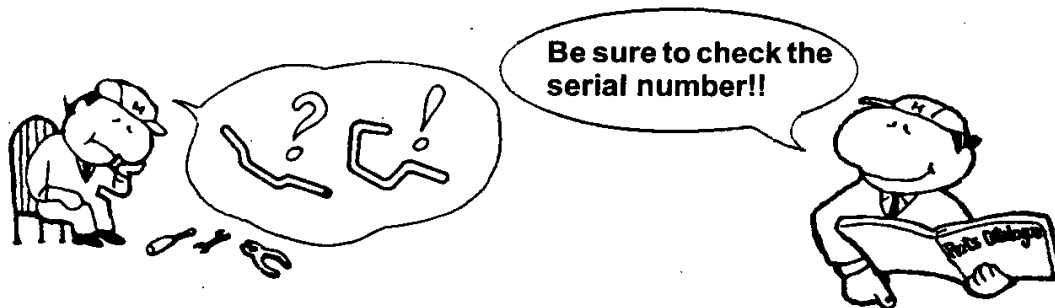


Ref. No.	Part No.	Description	Reqd. QTY		Serial No.	Parts catalogue code
			CS/MS	SFX/SFY		
1	45156-MCE-000	CLAMPER, R. FR. BRAKE HOSE ..	1	1		
2	45157-MCE-000	CLAMPER, L. FR. BRAKE HOSE ..	1	1		
3	61100-MCE-0002A	FENDER COMP., FR.	1	1		
		*NH41M*FORCE SILVER METALLIC	1	1	-----3J,4J	
	61100-MCE-0002B	*PB284C*...CANDY PHOENIX BLUE	1	1	-----J,2J	
4	61101-MCE-000	PLATE, FR. FENDER	2	2	1008000	
	61101-MCE-010	2	2	1008001	
5	61102-MCE-300	CUSHION, FR. FENDER	2	2		
		(BLACK)				



- ① **Address number**
 - Address No. is provided (in place of the page No.) to help you refer to the part with the part No. or part name.
- ② **Block title** ③ **Block number**
- ④ **Service item/Flat rate time**
- ⑤ **Reference number**
 - Title number marked with the parenthesis or parentheses indicates that it continues from the previous page.
- ⑥ **Part number** ⑦ **Honda color code**
- ⑧ **Description**
- ⑨ **Assemblies**
 - Sections framed with broken lines in the exploded view drawings are available as complete assemblies. (Their individual parts can also be obtained.)
- ⑩ **Color description**
- ⑪ **Note**
 - Notes are shown with the parentheses in the part name column.
- ⑫ **Required quantity**
 - Reqd. QTY shown in the parenthesis or parentheses indicates the optional part.
 - Reqd. QTY marked with "N" indicates the optional part that should be selected as needed.
 - Reqd. QTY indicates the number of the part used in the block.
- ⑬ **Serial number**
- ⑭ **Parts catalogue code**
 - When the parts catalogue code column is blank, it indicates that the part is applicable to all codes.
- ⑮
 - Parts enclosed within a dotted line are covered in a different block.
- ⑯
 - A hollow arrow indicates the block No. for the parts enclosed within a dotted line .
- ⑰
 - A solid arrow indicates the block No. the part in question is connected to.

When the parts were revised



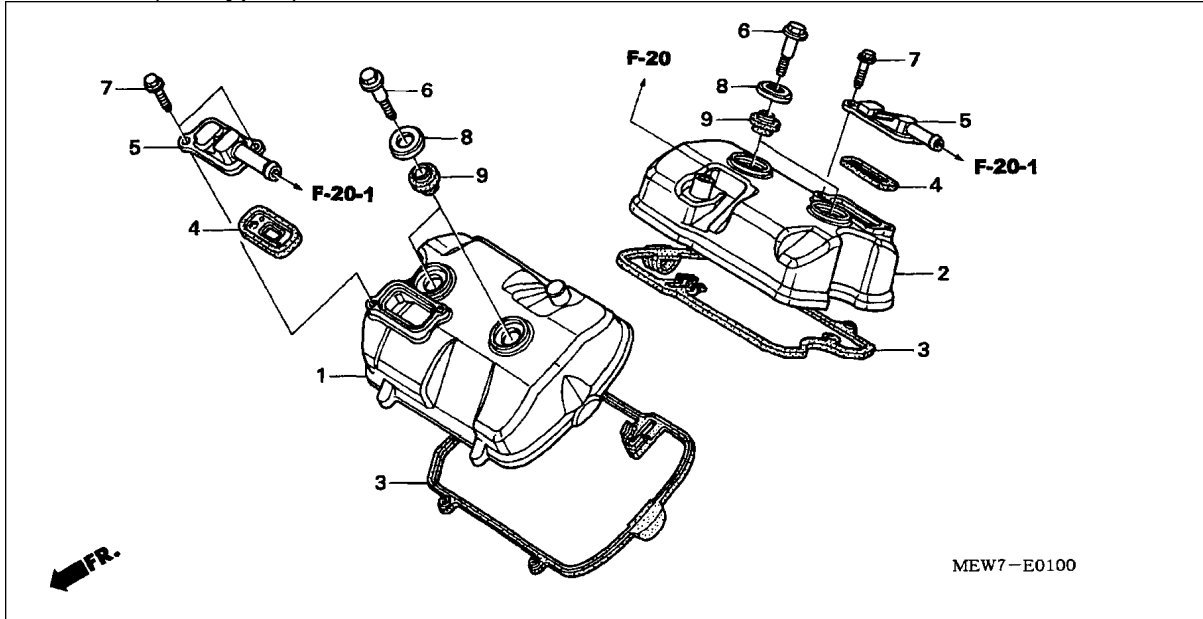
Ref. No.	Part No.	Description	Reqd. QTY		Serial No.
			CB400 SFX	SFY	
1	45156-MCE-000	CLAMPER, R. FR. BRAKE HOSE ..	1	1	
2	45157-MCE-000	CLAMPER, L. FR. BRAKE HOSE ..	1	1	
3	61100-MCE-000ZA	FENDER COMP., FR. *NH411M*FORCE SILVER METALLIC	1	-	-----3J,4J
	61100-MCE-000ZB	*PB284C*...CANDY PHOENIX BLUE	1	-	-----J,2J
4	61101-MCE-000	PLATE, FR. FENDER (###).....	2	2	-----1008000
	61101-MCE-010	2	2	1008001
5	61102-MCE-300	CUSHION, FR. FENDER (BLACK)	2	2	
6	61105-MCE-000	STAY, FR. FENDER MOUNTING ...	2	2	
7	61107-MR7-000	COLLAR (6.5)	4	4	
8	96001-06020-00	BOLT, FLANGE, 6X20	4	4	

The number has been used from the initial model without revision.

When shown at the left side, it is applicable to the models of No.1008001 and the subsequent numbers.

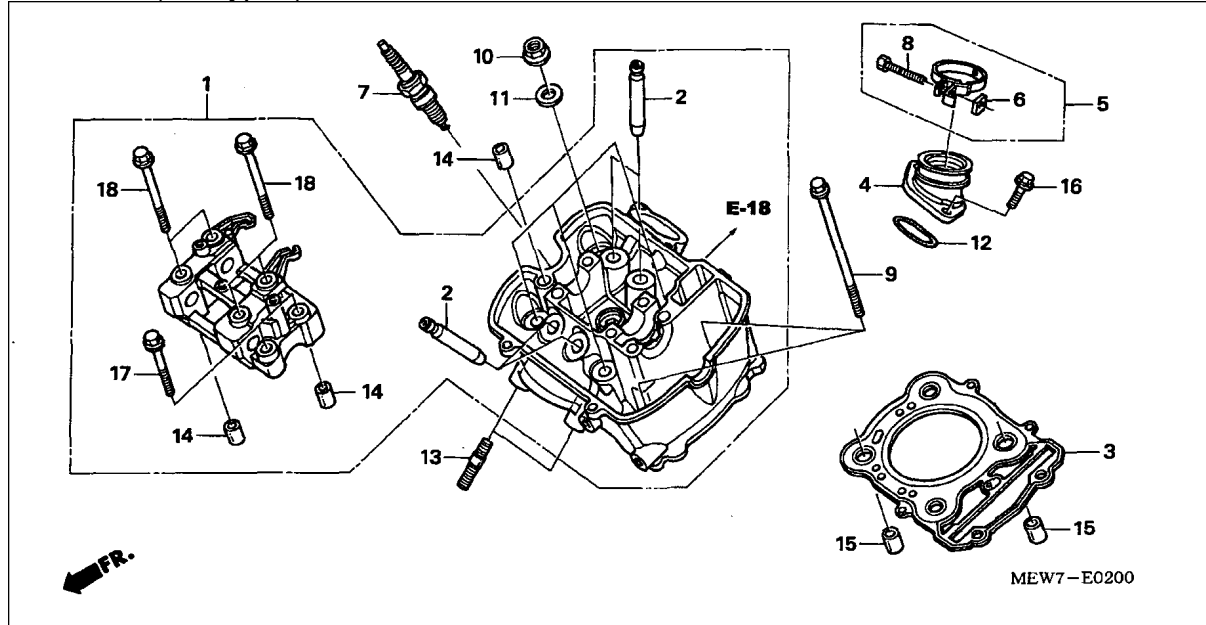
When shown at the right side, it is applicable to the models up to No.1008000.

• The parts listed with "###" at the end of the parts name have limited supply period (parts not for sale).



Ref. No.	L.O.N.	(Relative ref. Number) Description	F.R.T.
1	1111C7	COVER, CYLINDER HEAD :FRONT ..	1.5
	1111C9	COVER, CYLINDER HEAD :BOTH ...	1.6
2	1111C8	COVER, CYLINDER HEAD :REAR ...	0.8
	1111C9	COVER, CYLINDER HEAD :BOTH ...	1.6
3	1111D5	GASKET, CYLINDER HEAD COVER :FRONT	1.5
	1111D6	GASKET, CYLINDER HEAD COVER :REAR	0.8
	1111S7	GASKET, CYLINDER HEAD COVER :BOTH	1.6
4	(5)		
	3141A6	VALVE, PAIR CHECK :FRONT CYLINDER	1.1
	3141A7	VALVE, PAIR CHECK :REAR CYLINDER	0.5
	3141A8	VALVE, PAIR CHECK :FOR 1 VEHICLE	1.2

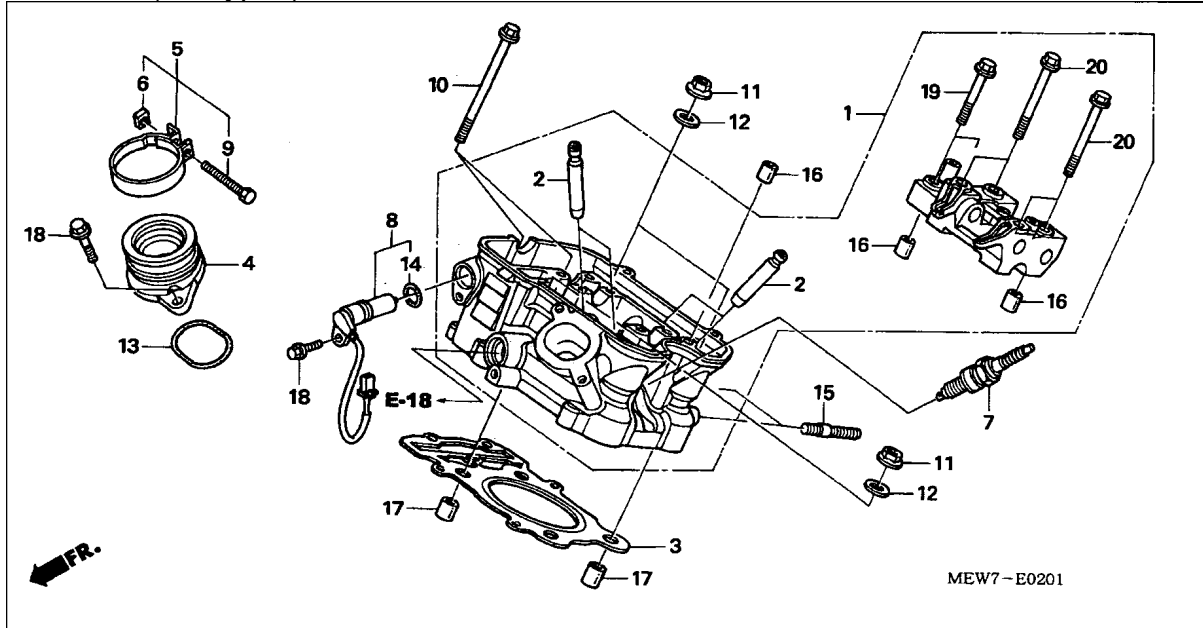
Ref No	Part No	Description	Qty
1	12311-MEW-920	COVER, FR. CYLINDER HEAD	1
2	12321-MEW-920	COVER, RR. CYLINDER HEAD	1
3	12391-MEW-920	GASKET COMP., CYLINDER HEAD COVER	2
4	18601-MCF-003	VALVE COMP., REED	2
5	18612-MBA-600	COVER, REED VALVE	2
6	90011-MBA-000	BOLT, HEAD COVER	4
7	90012-896-750	BOLT, FLANGE, 5X14	4
8	90541-MAW-600	WASHER, MOUNTING RUBBER	4
9	90542-MB0-000	RUBBER, MOUNTING	4



Ref. No.	L.O.N.	(Relative ref. Number) Description	F.R.T.
1	1111A2	HEAD, CYLINDER :FRONTINCLUDES: Valve clearance adjustment and reface	4.3
	1111A4	HEAD, CYLINDER :BOTHINCLUDES: Engine removal and installation .INCLUDES: Valve clearance adjustment and reface	8.2
2	1111M1	GUIDE, INTAKE VALVE(ONE) :FRONT CYLINDERINCLUDES: Reaming .INCLUDES: Valve clearance adjustment and reface	3.8
	1111M1A	.Replace all intake valve guide add	0.3
	1111M1B	.Replace all intake and exhaust valve guide add	0.9
	1111M2	GUIDE, EXHAUST VALVE(ONE) :FRONT CYLINDERINCLUDES: Reaming .INCLUDES: Valve clearance adjustment and reface	3.8
	1111M2A	.Replace all exhaust valve guide add	0.3
+	1111M9	GUIDE, VALVE :FOR 1 VEHICLE ..	9.0

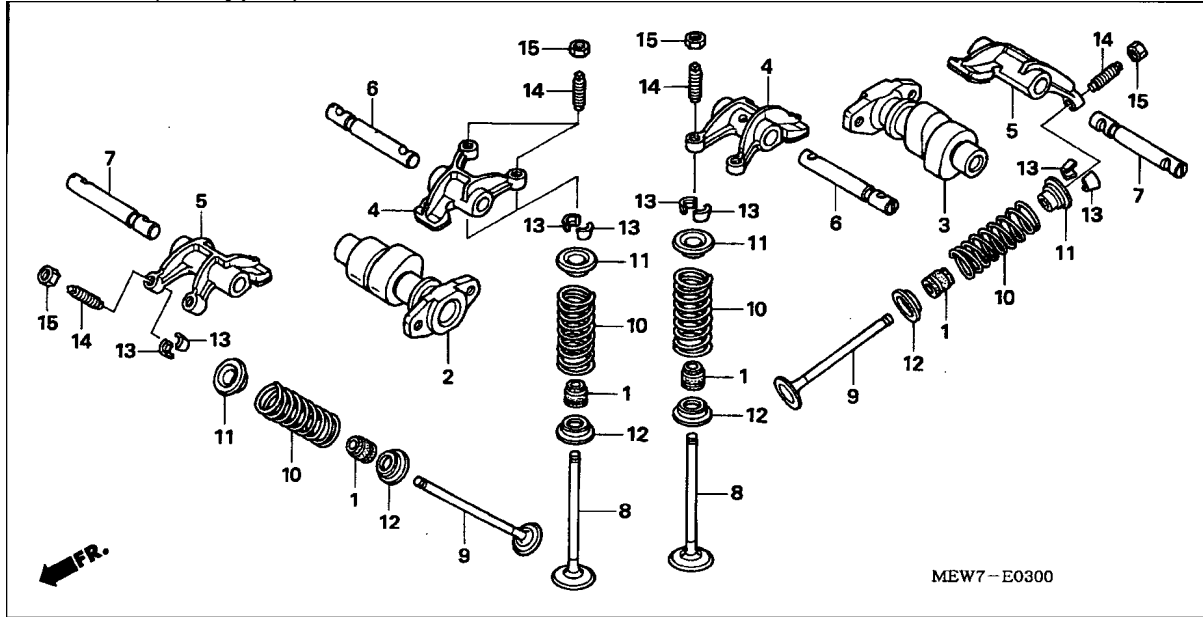
Ref. No.	L.O.N.	(Relative ref. Number) Description	F.R.T.
+	2	.INCLUDES: Engine removal and installation .INCLUDES: Reaming .INCLUDES: Valve clearance adjustment and reface	
3	1111C1	GASKET, CYLINDER HEAD :FRONT .	3.0
	1111C3	GASKET, CYLINDER HEAD :BOTH .. .INCLUDES: Engine removal and installation	5.6
4	3111E5	INSULATOR, THROTTLE BODY/ CARBURETOR :FRONT	1.4
	3111B6	INSULATOR, THROTTLE BODY/ CARBURETOR :FOR 1 VEHICLE ...	1.4
7	6141A8	PLUG, SPARK :FRONT	0.2
	6141B2	PLUG, SPARK :FOR 1 VEHICLE ...	0.4

Ref No	Part No	Description	Qty
1	12010-MEW-920	HEAD ASSY., FR. CYLINDER	1
2	12204-MEW-P00	GUIDE, VALVE (O.S.)	4
3	12251-MEW-921	GASKET, CYLINDER HEAD	1
4	16210-MEW-920	INSULATOR COMP., THROTTLE BODY	1
5	16218-MAT-000	BAND B, INSULATOR	1
6	16222-MV4-300	NUT, SQUARE, 5MM	1
7		PLUG, SPARK (CPR8EA-9)	1
8	90005-MM4-000	BOLT, RECESSED, 5X32	1
9	90006-MM5-640	BOLT, FLANGE, 8X135	2
10	90204-634-000	NUT, FLANGE, 10MM	4
11	90410-HC4-000	WASHER, 10MM	4
12	91303-397-000	O-RING, 45X2.5	1
13	92900-08022-0E	BOLT STUD, 2,8X22	2
14	94301-10160	DOWEL PIN, 10X16	3
15	94301-14200	DOWEL PIN, 14X20	2
16	95701-06016-00	BOLT, FLANGE, 6X16	2
17	95701-08050-00	BOLT, FLANGE, 8X50	2
18	95701-08070-00	BOLT, FLANGE, 8X70	4



Ref. No.	L.O.N.	(Relative ref. Number) Description	F.R.T.	Ref. No.	L.O.N.	(Relative ref. Number) Description	F.R.T.
1	1111A3	HEAD, CYLINDER :REAR	5.4 + 2			.INCLUDES: Reaming .INCLUDES: Valve clearance adjustment and reface	
		.INCLUDES: Engine removal and installation					
	1111A4	HEAD, CYLINDER :BOTH	8.2		1111M4A	.Replace all exhaust valve guide add	0.3
		.INCLUDES: Engine removal and installation			1111M9	GUIDE, VALVE :FOR 1 VEHICLE ..	9.0
		.INCLUDES: Valve clearance adjustment and reface				.INCLUDES: Engine removal and installation	
2	1111M3	GUIDE, INTAKE VALVE(ONE) :REAR CYLINDER	4.9	3	1111C2	GASKET, CYLINDER HEAD :REAR ..	4.1
		.INCLUDES: Engine removal and installation			1111C3	GASKET, CYLINDER HEAD :BOTH ..	5.6
		.INCLUDES: Reaming				.INCLUDES: Engine removal and installation	
	1111M3A	.Replace all intake valve guide add	0.3	4	3111E6	INSULATOR, THROTTLE BODY/ CARBURETOR :REAR	1.4
	1111M3B	.Replace all intake and exhaust valve guide add	0.6		3111B6	INSULATOR, THROTTLE BODY/ CARBURETOR :FOR 1 VEHICLE ...	1.4
	1111M4	GUIDE, EXHAUST VALVE(ONE) :REAR CYLINDER	4.9	7	6141A9	PLUG, SPARK :REAR	0.2
		.INCLUDES: Engine removal and installation			6141B2	PLUG, SPARK :FOR 1 VEHICLE ...	0.4
				8	614117	GENERATOR, CAM PULSE	1.5

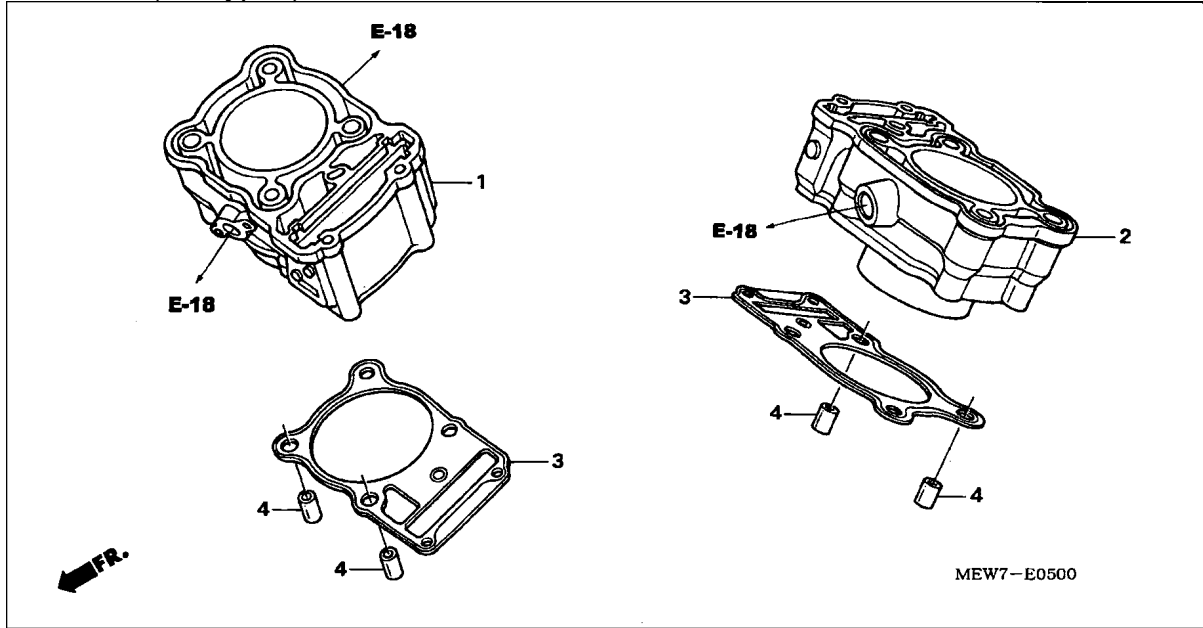
Ref No	Part No	Description	Qty
1	12020-MEW-920	HEAD ASSY., RR. CYLINDER	1
2	12204-MEW-P00	GUIDE, VALVE (O.S.)	4
3	12251-MEW-921	GASKET, CYLINDER HEAD	1
4	16210-MEW-920	INSULATOR COMP., THROTTLE BODY	1
5	16218-MAT-000	BAND B, INSULATOR	1
6	16222-MV4-300	NUT, SQUARE, 5MM	1
7		PLUG, SPARK (CPR8EA-9)	1
8	36140-MCH-003	PULSER ASSY., CAM	1
9	90005-MM4-000	BOLT, RECESSED, 5X32	1
10	90006-MM5-640	BOLT, FLANGE, 8X135	2
11	90204-634-000	NUT, FLANGE, 10MM	4
12	90410-HC4-000	WASHER, 10MM	4
13	91303-397-000	O-RING, 45X2.5	1
14	91309-PX4-003	O-RING, 16X2.1 (NOK)	1
15	92900-08022-0E	BOLT STUD, 2,8X22	2
16	94301-10160	DOWEL PIN, 10X16	3
17	94301-14200	DOWEL PIN, 14X20	2
18	95701-06016-00	BOLT, FLANGE, 6X16	3
19	95701-08050-00	BOLT, FLANGE, 8X50	2
20	95701-08070-00	BOLT, FLANGE, 8X70	4



MEW7-E0300

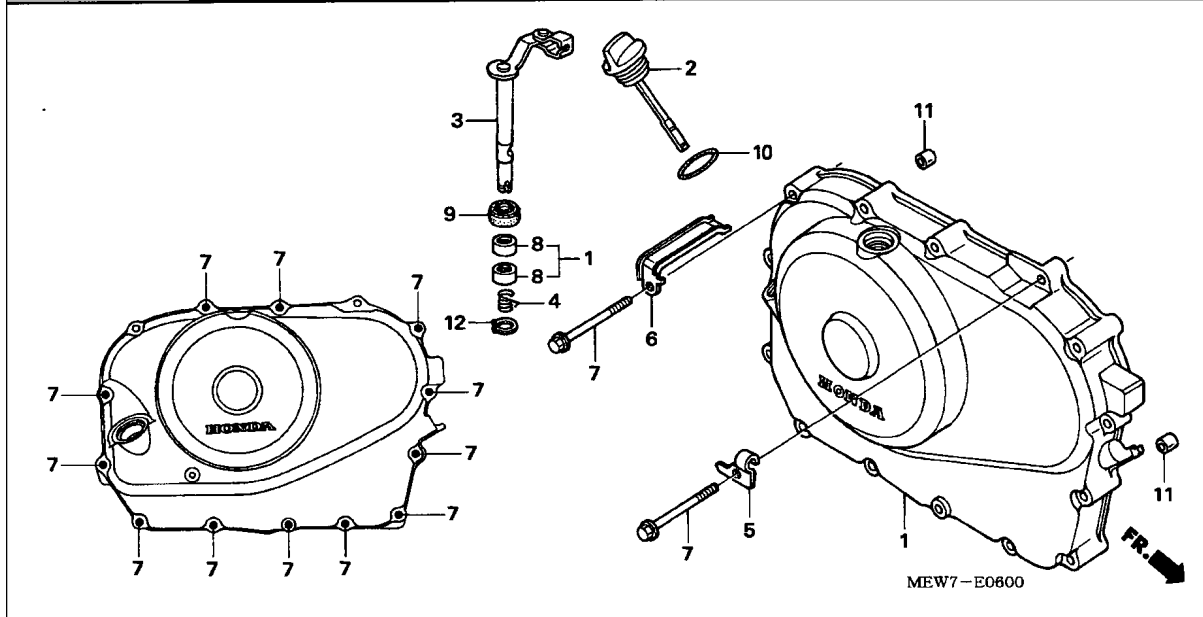
Ref. No.	L.O.N.	(Relative ref. Number) Description	F.R.T.
2	1111E3	CAMSHAFT :FRONTINCLUDES: Valve clearance adjustment	2.0
	1111T4	CAMSHAFT :FOR 1 VEHICLEINCLUDES: Valve clearance adjustment	2.5
3	1111E4	CAMSHAFT :REARINCLUDES: Valve clearance adjustment	1.3
	1111T4	CAMSHAFT :FOR 1 VEHICLEINCLUDES: Valve clearance adjustment	2.5
4	1111L0	ARM, INTAKE VALVE ROCKER(ONE) :FRONT CYLINDERINCLUDES: Valve clearance adjustment	1.7
	1111L2	ARM, INTAKE VALVE ROCKER(ONE) :REAR CYLINDERINCLUDES: Valve clearance adjustment	1.0
	1111L8	ARM, VALVE ROCKER :FOR 1 VEHICLEINCLUDES: Valve clearance adjustment	2.0

Ref No	Part No	Description	Qty
1	12208-413-003	SEAL, VALVE STEM (ARAI)	8
2	14110-MEW-920	CAMSHAFT COMP., FR.	1
3	14120-MEW-920	CAMSHAFT COMP., RR.	1
4	14421-MEW-920	ARM, IN. ROCKER	2
5	14431-MEW-920	ARM, EX. ROCKER	2
6	14441-MEW-920	SHAFT, IN. ROCKER ARM	2
7	14451-MEW-920	SHAFT, EX. ROCKER ARM	2
8	14711-MEW-920	VALVE, IN.	4
9	14721-MEW-920	VALVE, EX.	4
10	14751-MEW-920	SPRING, VALVE	8
11	14771-MN5-000	RETAINER, VALVE SPRING	8
12	14775-MEW-920	SEAT, VALVE SPRING	8
13	14781-HA0-770	COTTER, VALVE	16
14	90014-MCH-000	SCREW, TAPPET ADJUSTING	8
15	90206-590-000	NUT, TAPPET ADJUSTING	8



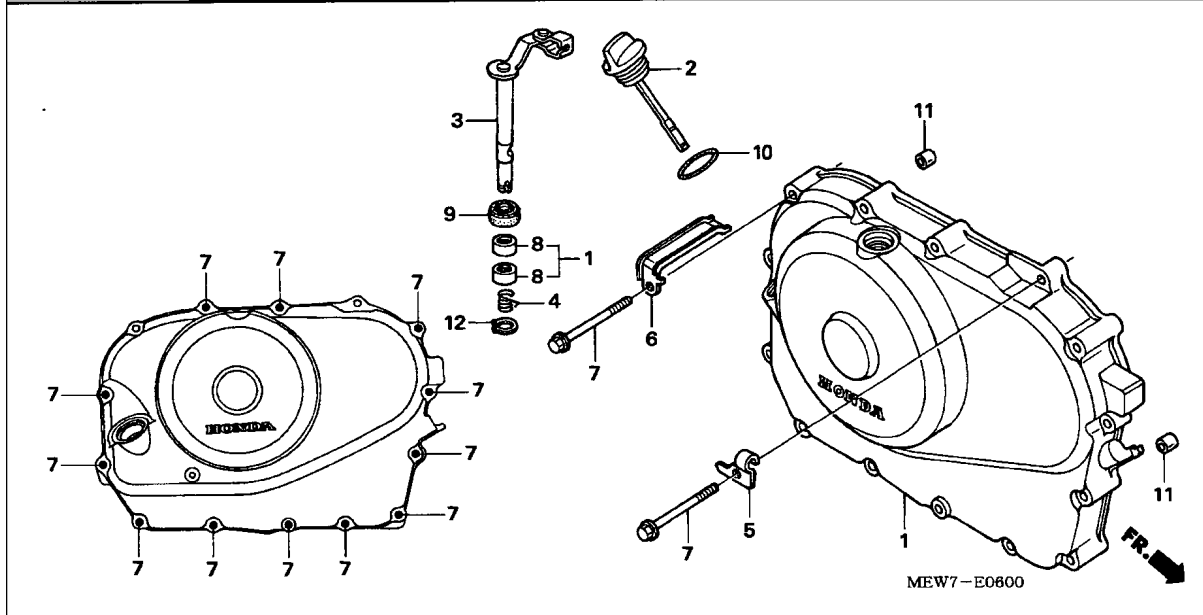
Ref. No.	L.O.N.	(Relative ref. Number) Description	F.R.T.
1	1111A6	CYLINDER :FRONT	3.5
	1111A8	CYLINDER :BOTH	6.6
		.INCLUDES: Engine removal and installation	
2	1111A7	CYLINDER :REAR	4.6
	1111A8	CYLINDER :BOTH	6.6
		.INCLUDES: Engine removal and installation	
3	1111B1	GASKET, CYLINDER :FRONT	3.3
	1111B2	GASKET, CYLINDER :REAR	4.4
		.INCLUDES: Engine removal and installation	
	1111B3	GASKET, CYLINDER :BOTH	6.2
		.INCLUDES: Engine removal and installation	

Ref No	Part No	Description	Qty
1	12110-MEW-920	CYLINDER COMP., FR.	1
2	12120-MEW-920	CYLINDER COMP., RR.	1
3	12191-MEW-921	GASKET, CYLINDER	2
4	94301-14200	DOWEL PIN, 14X20	4



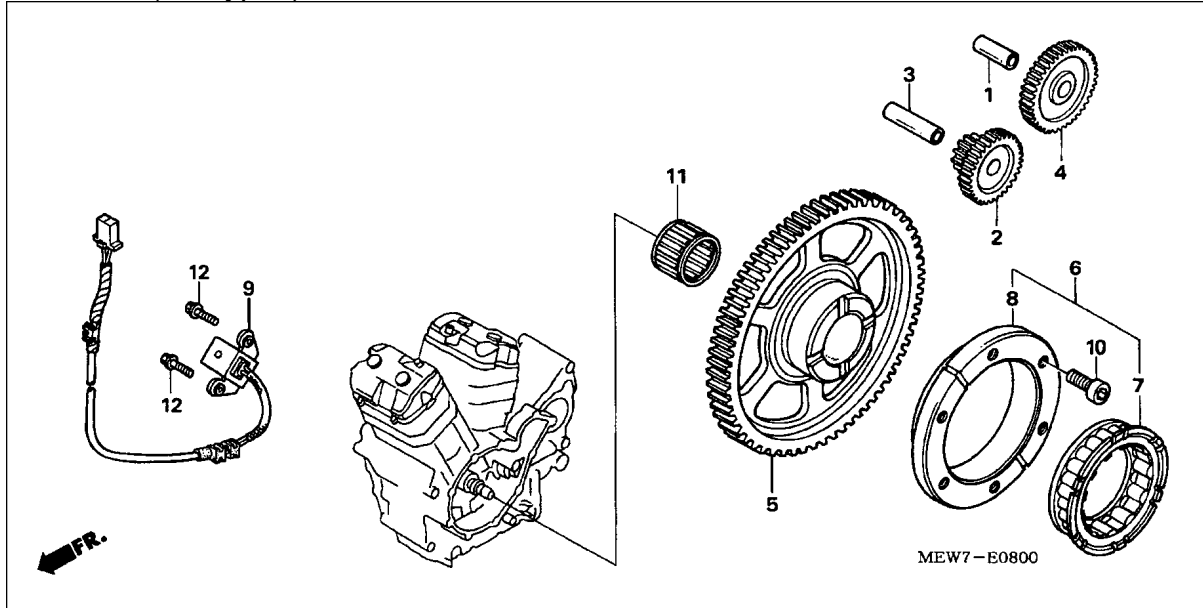
Ref. No.	L.O.N.	(Relative ref. Number) Description	F.R.T.
1	110159	COVER, CRANKCASE :RIGHT	2.4
3	2121A7	LEVER, CLUTCH	2.4
8	2121F1	BEARING, CLUTCH LEVER	2.7
.NOTE: Same time for two units			
9	2121F0	OIL SEAL, CLUTCH LEVER	2.5

Ref No	Part No	Description	Qty
1	11330-MBL-611	COVER COMP., R. CRANKCASE	1
2	15650-MEW-920	GAUGE COMP., OIL LEVEL	1
3	22810-MBS-000	LEVER COMP., CLUTCH	1
4	22815-413-000	SPRING, CLUTCH LEVER	1
5	22825-MEW-920	RECEIVER, CLUTCH WIRE	1
6	32205-MEW-920	CLAMP, CABLE	1
7	90006-GHB-700	BOLT, FLANGE, 6X35 (NSHF)	14
8	91053-719-005	BEARING, NEEDLE, 12X16X10 (NTN)	2
9	91204-KK0-003	OIL SEAL, 12X18X5 (ARAI)	1
10	91301-250-000	O-RING, 21.5MM	1
11	94301-08140	DOWEL PIN, 8X14	2
12	94510-10000	CIRCLIP, EXTERNAL, 10MM	1



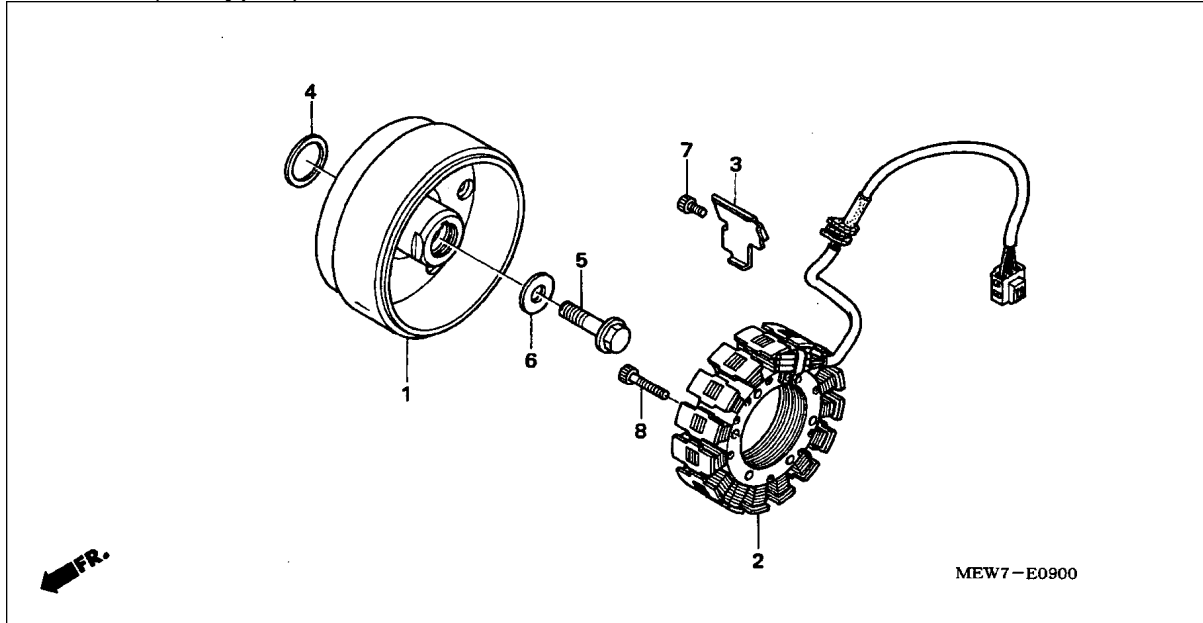
Ref. No.	L.O.N.	(Relative ref. Number) Description	F.R.T.
1	110159	COVER, CRANKCASE :RIGHT	2.4
3	2121A7	LEVER, CLUTCH	2.4
8	2121F1	BEARING, CLUTCH LEVER	2.7
.NOTE: Same time for two units			
9	2121F0	OIL SEAL, CLUTCH LEVER	2.5

Ref No	Part No	Description	Qty
1	11330-MBL-611	COVER COMP., R. CRANKCASE	1
2	15650-MEW-920	GAUGE COMP., OIL LEVEL	1
3	22810-MBS-000	LEVER COMP., CLUTCH	1
4	22815-413-000	SPRING, CLUTCH LEVER	1
5	22825-MEW-920	RECEIVER, CLUTCH WIRE	1
6	32205-MEW-920	CLAMP, CABLE	1
7	90006-GHB-700	BOLT, FLANGE, 6X35 (NSHF)	14
8	91053-719-005	BEARING, NEEDLE, 12X16X10 (NTN)	2
9	91204-KK0-003	OIL SEAL, 12X18X5 (ARAI)	1
10	91301-250-000	O-RING, 21.5MM	1
11	94301-08140	DOWEL PIN, 8X14	2
12	94510-10000	CIRCLIP, EXTERNAL, 10MM	1



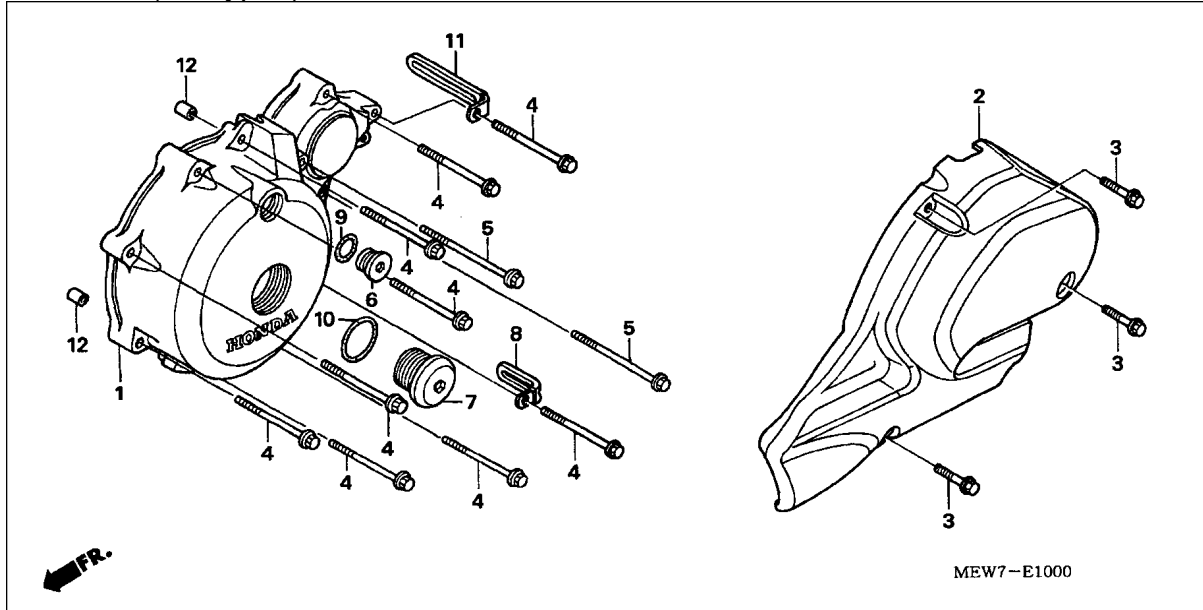
Ref. No.	L.O.N.	(Relative ref. Number) Description	F.R.T.
2	(4) 612125	GEAR, STARTER REDUCTION	1.3
.NOTE: Same time for two units or more			
5	612120	GEAR, STARTER DRIVEN	1.4
6	612131	OUTER, STARTING CLUTCH	1.6
7	6121A2	CLUTCH, STARTING ONE WAY	1.6
9	614110	GENERATOR, IGNITION PULSE	1.4

Ref No	Part No	Description	Qty
1	13111-122-000	PIN, PISTON, 10X33	1
2	28101-MN8-000	GEAR, STARTER REDUCTION (39/12T)	1
3	28102-ME9-000	PIN, 10X44	1
4	28106-ME9-010	GEAR, STARTER (51T)	1
5	28110-MEW-920	GEAR COMP., STARTING DRIVEN (88T)	1
6	28125-MM9-014	OUTER COMP., STARTING CLUTCH	1
7	28126-MK5-004	CLUTCH, ONE WAY	1
8	28128-MM9-014	OUTER, STARTING CLUTCH	1
9	30300-MEW-921	GENERATOR ASSY., PULSE	1
10	90010-MAY-000	BOLT, SOCKET, 8MM	6
11	91021-MF5-841	BEARING, NEEDLE, 30X37X20 (NTN)	1
12	95701-06020-00	BOLT, FLANGE, 6X20	2



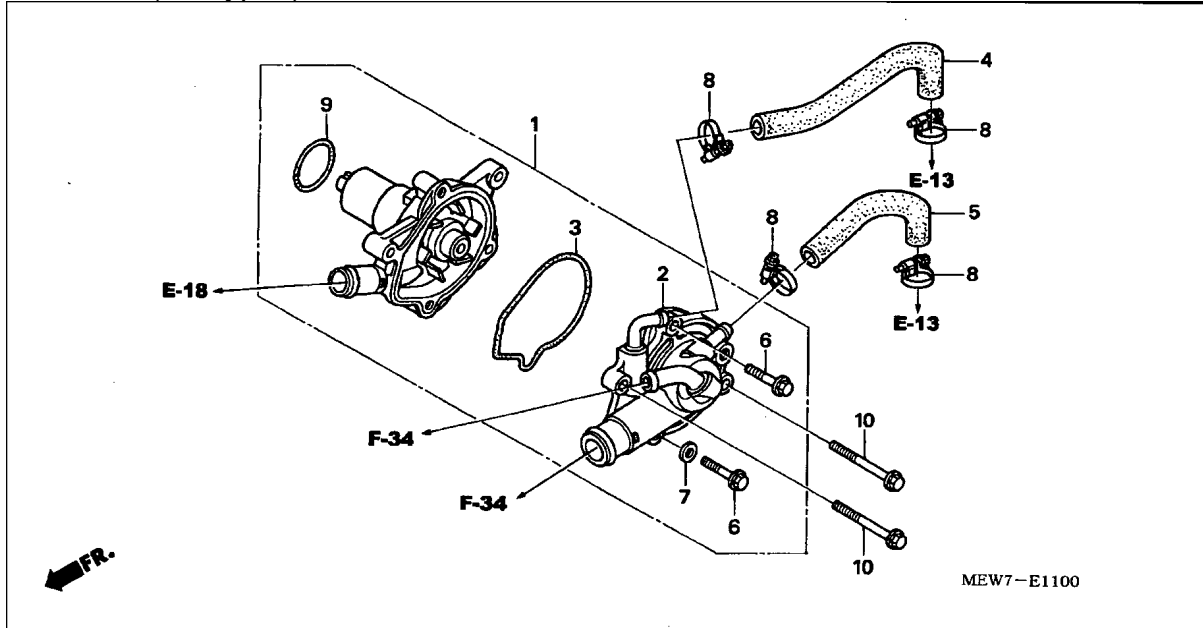
Ref. No.	L.O.N.	(Relative ref. Number) Description	F.R.T.
1	613105	ROTOR OR FLYWHEEL	1.6
2	6131A3	STATOR	1.4

Ref No	Part No	Description	Qty
1	31110-MEW-921	FLYWHEEL COMP.	1
2	31120-MEW-921	STATOR COMP.	1
3	32961-MN8-740	CLAMPER, A.C. GENERATOR CORD	1
4	41641-HC5-000	SHIM K, DIFFERENTIAL CASE (1.00)	1
5	90025-MEW-920	BOLT, FLANGE, 12X50 (UBS)	1
6	90403-MEW-920	WASHER, 12.5X34X5	1
7	96600-06014-00	BOLT, SOCKET, 6X14	1
8	96700-06035-00	BOLT, SOCKET, 6X35	4



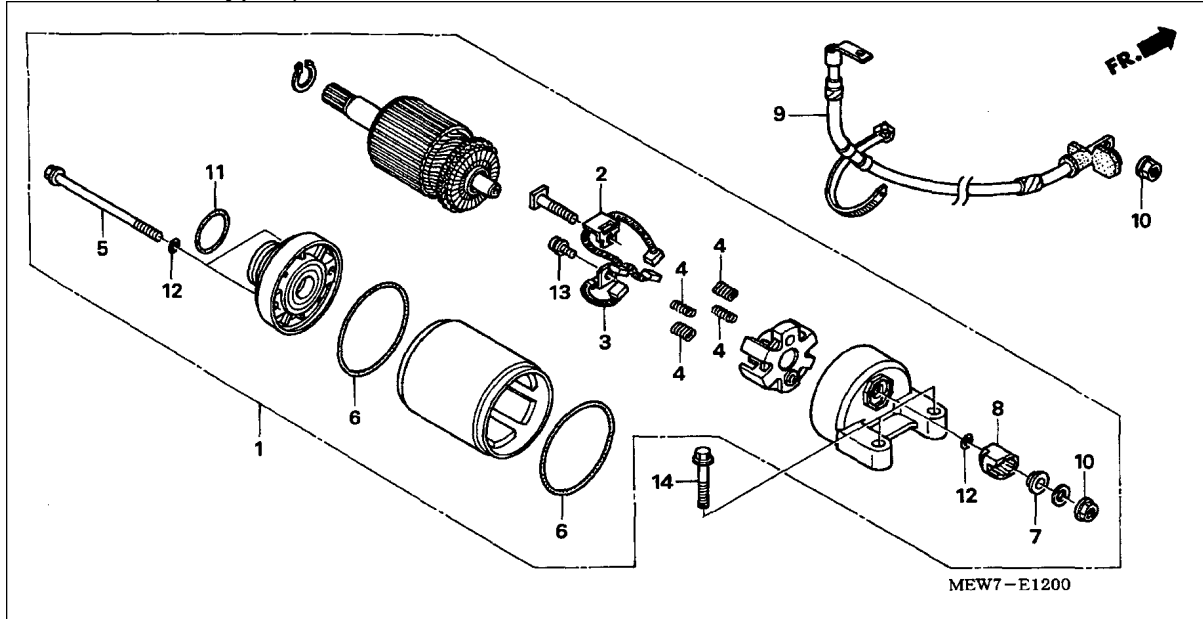
Ref. No.	L.O.N.	(Relative ref. Number) Description	F.R.T.
1	1101A6	COVER, CRANKCASE :LEFT	1.4
2	1101B0	COVER, CRANKCASE :LEFT REAR ..	0.1

Ref No	Part No	Description	Qty
1	11341-MEW-920	COVER, L. CRANKCASE	1
2	11350-MEW-920	COVER COMP., L. RR.	1
3	90001-MCB-610	BOLT, FLANGE, 6X25 (CT200)	3
4	90006-GHB-700	BOLT, FLANGE, 6X35 (NSHF)	9
5	90006-GHB-720	BOLT, FLANGE, 6X45 (NSHF)	2
6	90084-MN8-010	CAP, 14MM	1
7	90087-MR1-000	CAP, 30MM	1
8	90105-727-000	CLIP, 2X50	1
9	91303-377-000	O-RING, 13.8X2.5	1
10	91356-425-003	O-RING, 30MM	1
11	91406-166-000	CLIP, WIRE	1
12	94301-08140	DOWEL PIN, 8X14	2



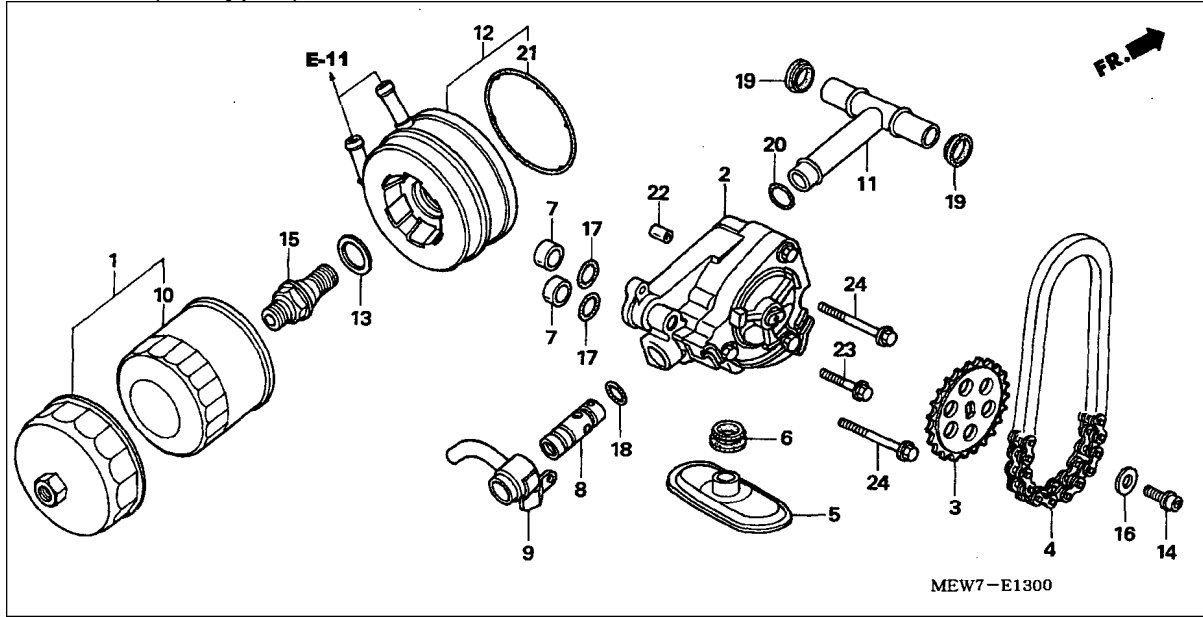
Ref. No.	L.O.N.	(Relative ref. Number) Description	F.R.T.
1	114103	PUMP ASSY., WATER	1.5
2	114180	COVER, WATER PUMP	1.4
3	114181	GASKET, WATER PUMP COVER	1.1
4	113180	HOSE, OIL COOLER WATER :OUTLET	1.1
	1131E5	HOSE, OIL COOLER WATER :BOTH -	1.3
5	1131A9	HOSE, OIL COOLER WATER :INLET	1.1
	1131E5	HOSE, OIL COOLER WATER :BOTH -	1.3

Ref No	Part No	Description	Qty
1	19200-MEW-920	PUMP COMP., WATER	1
2	19220-MEW-920	COVER COMP., WATER PUMP	1
3	19226-MM9-000	GASKET, WATER PUMP COVER	1
4	19532-MEW-920	HOSE A, OIL COOLER	1
5	19533-MEW-920	HOSE B, OIL COOLER	1
6	90121-MV9-670	BOLT, FLANGE, 6X25	2
7	90463-ML7-000	WASHER, SEALING, 6.5MM	1
8	90670-GHB-610	CLAMP, WATER HOSE	4
9	91302-MB0-013	O-RING, 32.95X2.62 (ARAI)	1
10	95701-06045-00	BOLT, FLANGE, 6X45	2



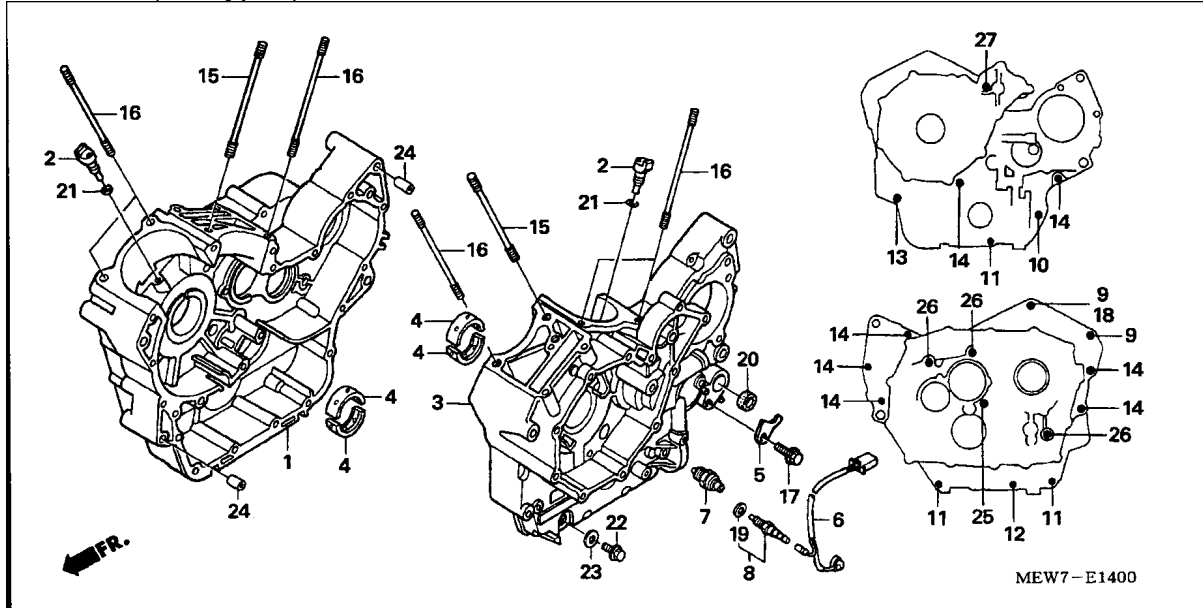
Ref. No.	L.O.N.	(Relative ref. Number) Description	F.R.T.
1	612105	MOTOR, STARTING	1.6
2	6121A4	TERMINAL, BRUSH (STARTER)	1.8
9	612115	CABLE, STARTER MOTOR	0.9

Ref No	Part No	Description	Qty
1	31200-MEW-921	MOTOR ASSY., STARTER	1
2	31201-MEW-921	BRUSH SET A, CARBON	1
3	31202-MEW-921	BRUSH SET B, CARBON	1
4	31204-MEW-921	SPRING, CARBON BRUSH	4
5	31205-MEW-921	BOLT, SETTING	2
6	31207-KS5-901	RING	2
7	31208-MEW-921	INSULATOR	1
8	31209-MEW-921	STOPPER, TERMINAL	1
9	32410-MEW-920	CABLE, STARTER MOTOR	1
10	90071-MB0-000	NUT-WASHER, 6MM	2
11	91309-425-003	O-RING, 24.4X3.1 (ARAI)	1
12	91320-MB0-000	O-RING	3
13	93892-05012-08	SCREW-WASHER, 5X12	1
14	95801-06032-00	BOLT, FLANGE, 6X32	2



Ref. No.	L.O.N.	(Relative ref. Number) Description	F.R.T.
2	113105	PUMP ASSY., OILINCLUDES: Engine removal and installation	8.8
3	113111	SPROCKET, OIL PUMP DRIVEN	2.7
4	113122	CHAIN, OIL PUMP DRIVE	2.7
5	1131B6	STRAINER, OIL	8.6
		.INCLUDES: Engine removal and installation	
8	113126	VALVE, RELIEF	8.6
		.INCLUDES: Engine removal and installation	
10		(1)	
	113180	CARTRIDGE, OIL FILTER	0.2
12	1131B4	COOLER, OIL	1.3
21	1131B7	O-RING, OIL COOLER	0.2

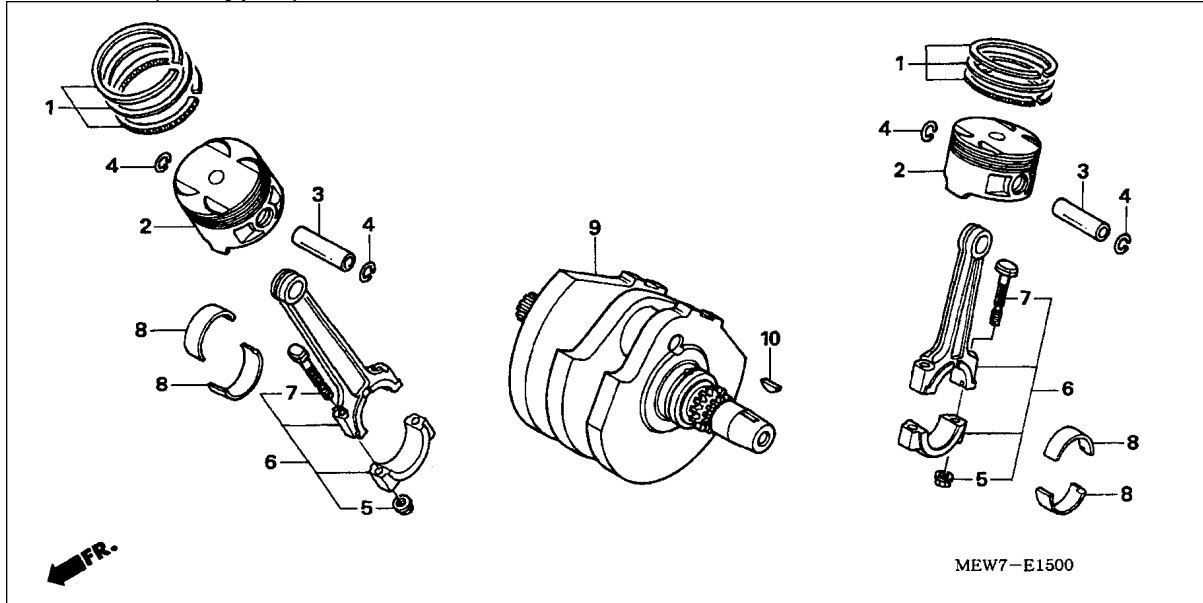
Ref No	Part No	Description	Qty
1	15010-MCE-H50	FILTER SET, OIL	[1]
2	15100-MEW-920	PUMP ASSY., OIL	1
3	15134-MEW-920	SPROCKET, OIL PUMP DRIVEN (27T)	1
4	15141-MEW-921	CHAIN, OIL PUMP DRIVE (70L)	1
5	15150-MEW-920	STRAINER COMP., OIL	1
6	15154-425-000	GASKET, OIL STRAINER	1
7	15155-300-000	COLLAR, O-RING	2
8	15220-MEW-920	VALVE ASSY., RELIEF	1
9	15240-MM9-000	PIPE, OIL RELIEF	1
10	15410-MCJ-003	CARTRIDGE, OIL FILTER (TOYO ROKI)	1
11	15510-MY1-000	PIPE COMP., OIL	1
12	15700-MEW-921	COOLER ASSY., OIL	1
13	23929-PX4-700	WASHER, SPRING, 24MM	1
14	90009-MZ8-H00	BOLT, FLANGE SOCKET, 6X14	1
15	90019-MCT-000	BOLT, OIL COOLER	1
16	90488-MB0-000	WASHER, 6X2.3	1
17	91303-KF0-003	O-RING, 14.8X2.4 (ARAI)	2
18	91313-MB0-003	O-RING, 14.7X2.2 (ARAI)	1
19	91315-MF5-003	SEAL, OIL PIPE	2
20	91319-300-000	O-RING, 13X2.5	1
21	91354-MEJ-641	O-RING, OIL COOLER	1
22	94301-08140	DOWEL PIN, 8X14	1
23	95701-06028-00	BOLT, FLANGE, 6X28	1
24	95701-06045-00	BOLT, FLANGE, 6X45	2



Ref. No.	L.O.N.	(Relative ref. Number) Description	F.R.T.
1	110120	CRANKCASE :RIGHTINCLUDES: Engine removal and installation	9.8
	1101A2	CRANKCASE :BOTHINCLUDES: Engine removal and installation	11.2
3	110115	CRANKCASE :LEFTINCLUDES: Engine removal and installation	10.1
	1101A2	CRANKCASE :BOTHINCLUDES: Engine removal and installation	11.2
4	1101B6	BEARING, CRANKSHAFT :LEFTINCLUDES: Engine removal and installation	9.2
	1101B7	BEARING, CRANKSHAFT :RIGHTINCLUDES: Engine removal and installation	8.9
	1101G0	BEARING, CRANKSHAFT :BOTHINCLUDES: Engine removal and installation	9.4
6	611142	SUB HARNESS, ENGINE	0.2
7	615160	SWITCH, OIL PRESSURE	0.2
8	6151B8	SWITCH, NEUTRAL	0.2
20	1101F9	OIL SEAL, GEARSHIFT SPINDLE ..	2.8

Ref No	Part No	Description	Qty
1	11100-MEW-920	CRANKCASE COMP., R.	1
2	11140-MEW-920	JET COMP., OIL	2
3	11200-MEW-920	CRANKCASE COMP., L.	1
4	13322-MEG-003	BEARING B, CRANKSHAFT (BLACK)	4
4	13321-MEG-003	BEARING A, CRANKSHAFT (BLUE)	4
4	13325-MEG-305	BEARING E, CRANKSHAFT (YELLOW)(OVERSIZE)	[4]
4	13324-MEG-003	BEARING D, CRANKSHAFT (GREEN)	4
4	13326-MEG-305	BEARING F, CRANKSHAFT (PINK)(OVERSIZE)	[4]
4	13323-MEG-003	BEARING C, CRANKSHAFT (BROWN)	4
4	13327-MEG-305	BEARING G, CRANKSHAFT (RED)(OVERSIZE)	[4]
5	24612-MAL-600	PLATE, SPINDLE	1
6	32101-MEW-920	SUB HARNESS, ENGINE	1
7	35500-MJ4-024	SWITCH ASSY., OIL PRESSURE (DENSO)	1
8	35600-MAW-601	SWITCH ASSY., NEUTRAL (TEC)	1
9	90002-MEW-920	BOLT, FLANGE, 8X140	2
10	90006-GHB-700	BOLT, FLANGE, 6X35 (NSHF)	1
11	90006-GHB-730	BOLT, FLANGE, 6X50 (NSHF)	3
12	90006-GHB-790	BOLT, FLANGE, 6X80 (NSHF)	1
13	90008-MEW-920	BOLT, FLANGE, 8X70	1
14	90010-MEG-000	BOLT, FLANGE, 8X80	7
15	90012-MEW-920	BOLT, STUD, 12X146.5	2

Ref No	Part No	Description	Qty
16	90013-MEW-920	BOLT, STUD, 10X150.5	6
17	90014-952-000	BOLT, FLANGE, 6X14 (CT200)	1
18	90441-ME9-000	WASHER, SEALING, 8MM	1
19	90443-KR0-000	WASHER, NEUTRAL SWITCH	1
20	91204-425-003	OIL SEAL, 12.5X25X8 (ARAI)	1
21	91305-MG7-003	O-RING, 5X1.7 (ARAI)	2
22	92800-14000	BOLT, DRAIN PLUG, 14MM	1
23	94109-14000	WASHER, DRAIN PLUG, 14MM	1
24	94301-14200	DOWEL PIN, 14X20	2
25	95701-08065-00	BOLT, FLANGE, 8X65	1
26	95701-08080-09	BOLT, FLANGE, 8X80	3
27	95701-08125-00	BOLT, FLANGE, 8X125	1

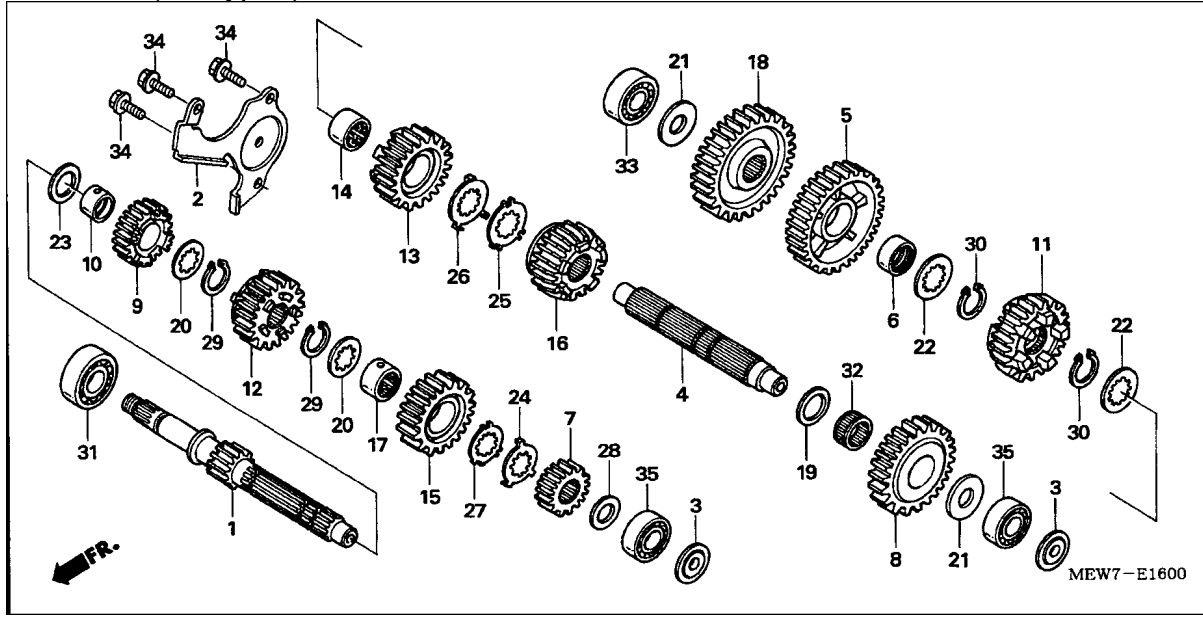


Ref. No.	L.O.N.	(Relative ref. Number) Description	F.R.T.
2		(1,3,4)	
	1111R4	RING, PISTON AND/OR PISTON (ONE) :FRONT CYLINDER	3.5
	1111R5	RING, PISTON AND/OR PISTON (ONE) :REAR CYLINDER	4.6
		.INCLUDES: Engine removal and installation	
	1111K3	RING, PISTON AND/OR PISTON :FOR 1 VEHICLE	6.6
		.INCLUDES: Engine removal and installation	
6		(8)	
	1101G6	ROD, CONNECTING(ONE) :FRONT CYLINDER	8.8
		.INCLUDES: Engine removal and installation	
	1101G7	ROD, CONNECTING(ONE) :REAR CYLINDER	8.8
		.INCLUDES: Engine removal and installation	
	1101F1	ROD, CONNECTING :FOR 1 VEHICLE	9.1
		.INCLUDES: Engine removal and installation	
+ 9	1101B5	CRANKSHAFT	9.9

Ref. No.	L.O.N.	(Relative ref. Number) Description	F.R.T.
+ 9		.INCLUDES: Engine removal and installation	

Ref No	Part No	Description	Qty
1	13011-MEW-920	RING SET, PISTON	2
1	13021-MEW-920	RING SET, PISTON (0.25)	[2]
1	13031-MEW-920	RING SET, PISTON (0.50)	[2]
2	13101-MEW-920	PISTON	2
2	13102-MEW-920	PISTON (0.25)	[2]
2	13103-MEW-920	PISTON (0.50)	[2]
3	13111-MEW-920	PIN, PISTON	2
4	13112-MF5-000	CLIP, PISTON PIN, 18MM	4
5	13205-ME2-000	NUT, CONNECTING ROD	4
6	13210-MEW-920	ROD ASSY., CONNECTING	2
7	13213-ME2-000	BOLT, CONNECTING ROD	4
8	13215-MEW-921	BEARING A, CONNECTING ROD	4

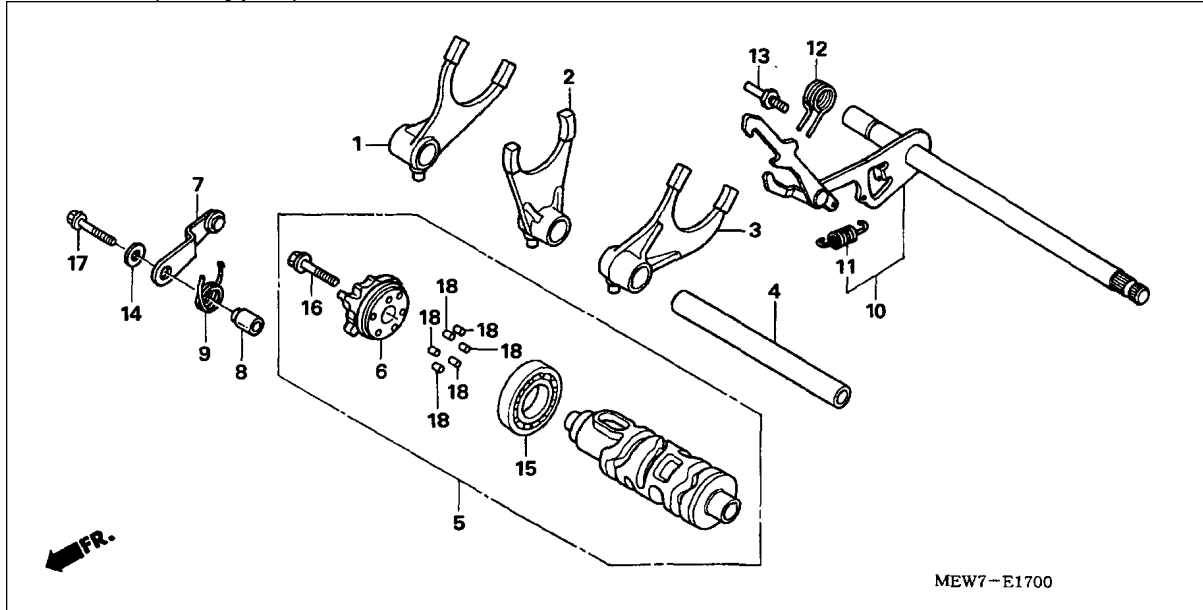
Ref No	Part No	Description	Qty
8	13216-MEW-921	BEARING B, CONNECTING ROD	4
8	13217-MEW-921	BEARING C, CONNECTING ROD	4
9	13310-MEW-920	CRANKSHAFT COMP.	1
10	90741-413-000	KEY, WOODRUFF, 25X14	1



Ref. No.	L.O.N.	(Relative ref. Number) Description	F.R.T.	Ref. No.	L.O.N.	(Relative ref. Number) Description	F.R.T.
1		(7,9,10,12,15,17) MAINSHAFT, TRANSMISSION	8.7	+33		.INCLUDES: Engine removal and installation	
	210141	.INCLUDES: Engine removal and installation		2101D4		BEARING, MAINSHAFT AND COUNTERSHAFT :ALL	9.1
	210141A	.Replace countershaft add	0.2			.INCLUDES: Engine removal and installation	
4		(5,6,8,11,13,14,16,18,32) COUNTERSHAFT, TRANSMISSION ...	8.7	35	2101C2	BEARING, MAINSHAFT :LEFT	8.7
	210142	.INCLUDES: Engine removal and installation				.INCLUDES: Engine removal and installation	
	210142A	.Replace mainshaft add	0.2	2101C7		BEARING, COUNTERSHAFT :LEFT ..	8.7
31	2101C5	BEARING, MAINSHAFT :RIGHT	8.7			.INCLUDES: Engine removal and installation	
	2101C6	BEARING, MAINSHAFT :BOTH	8.9				
	2101D4	BEARING, MAINSHAFT AND COUNTERSHAFT :ALL	9.1				
		.INCLUDES: Engine removal and installation					
33	2101C8	BEARING, COUNTERSHAFT :RIGHT .	8.7				
		.INCLUDES: Engine removal and installation					
+	2101C9	BEARING, COUNTERSHAFT :BOTH ..	8.9				

Ref No	Part No	Description	Qty
1	23210-MEW-920	MAINSHAFT COMP. (14T)	1
2	23212-MS6-920	PLATE, BEARING SETTING	1
3	23219-MF5-000	PLATE, OIL GUIDE	2
4	23220-MEW-920	COUNTERSHAFT	1
5	23421-MEW-920	GEAR, COUNTERSHAFT FIRST (36T)	1
6	23422-MV1-000	COLLAR, SPLINE, 28X10	1
7	23431-MEW-920	GEAR, MAINSHAFT SECOND (16T)	1
8	23441-MEW-920	GEAR, COUNTERSHAFT SECOND (27T)	1
9	23451-MEW-920	GEAR, MAINSHAFT THIRD (20T)	1
10	23452-KCY-670	BUSH, COUNTERSHAFT THIRD	1
11	23461-MEW-920	GEAR, COUNTERSHAFT THIRD (26T)	1
12	23471-MEW-920	GEAR, MAINSHAFT FOURTH (27T)	1
13	23481-MEW-920	GEAR, COUNTERSHAFT FOURTH (29T)	1
14	23482-MR7-000	COLLAR, SPLINE, 28X13.5	1
15	23491-MEW-920	GEAR, MAINSHAFT FIFTH (26T)	1
16	23501-MEW-920	GEAR, COUNTERSHAFT FIFTH (24T)	1
17	23512-MV9-670	COLLAR, SPLINE, 25X28X13	1
18	23725-MEW-920	GEAR, FINAL DRIVE (33T)	1
19	90402-MEW-920	WASHER, THRUST, 24X32X1.5	1
20	90451-KY2-000	WASHER, SPLINE, 25X31X1.5	2
21	90451-704-000	WASHER A, THRUST, 20MM	2

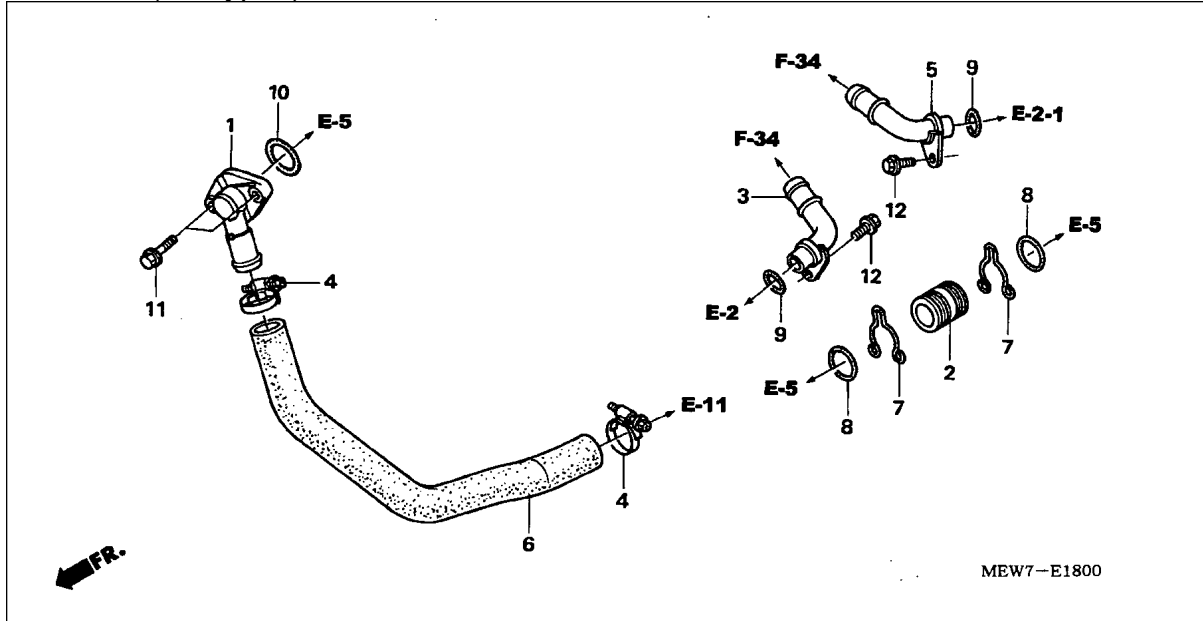
Ref No	Part No	Description	Qty
22	90452-MR7-000	WASHER, SPLINE, 28X34X1.5	2
23	90456-MA6-000	WASHER, THRUST, 25MM	1
24	90462-MR7-000	WASHER, LOCK, 25MM	1
25	90463-MCJ-000	WASHER, SPLINE, 28MM	1
26	90464-MCJ-000	WASHER, LOCK, 28MM	1
27	90465-MR7-000	WASHER, SPLINE, 25MM	1
28	90554-MEL-000	WASHER, THRUST, 20MM	1
29	90601-107-000	CIRCLIP, 25MM	2
30	90603-MN4-000	CIRCLIP, 28MM	2
31	91001-MN8-911	BEARING, RADIAL BALL, 63/22 (FUJIKOSHI)	1
32	91026-MEL-003	BEARING, NEEDLE, 24X28X10	1
33	91102-GE1-711	BEARING, RADIAL BALL, 6204 (TOYO)	1
34	95701-06016-00	BOLT, FLANGE, 6X16	3
35	96100-62040-00	BEARING, RADIAL BALL, 6204	2



MEW7-E1700

Ref. No.	L.O.N.	(Relative ref. Number) Description	F.R.T.
1	(2,3,4)		
210112		FORK, GEARSHIFT	8.6
		.NOTE: Same time for two units or more	
		.INCLUDES: Engine removal and installation	
5	2101A9	DRUM, GEARSHIFT	8.7
		.INCLUDES: Engine removal and installation	
6	(18)		
2101B2		CENTER, GEARSHIFT DRUM	2.7
7	(8,9)		
210125		STOPPER OR SPRING, SHIFT DRUM	2.7
10	(12)		
210127		ARM, GEARSHIFT	2.7
15	2101C3	BEARING, GEARSHIFT DRUM	8.5
		.INCLUDES: Engine removal and installation	

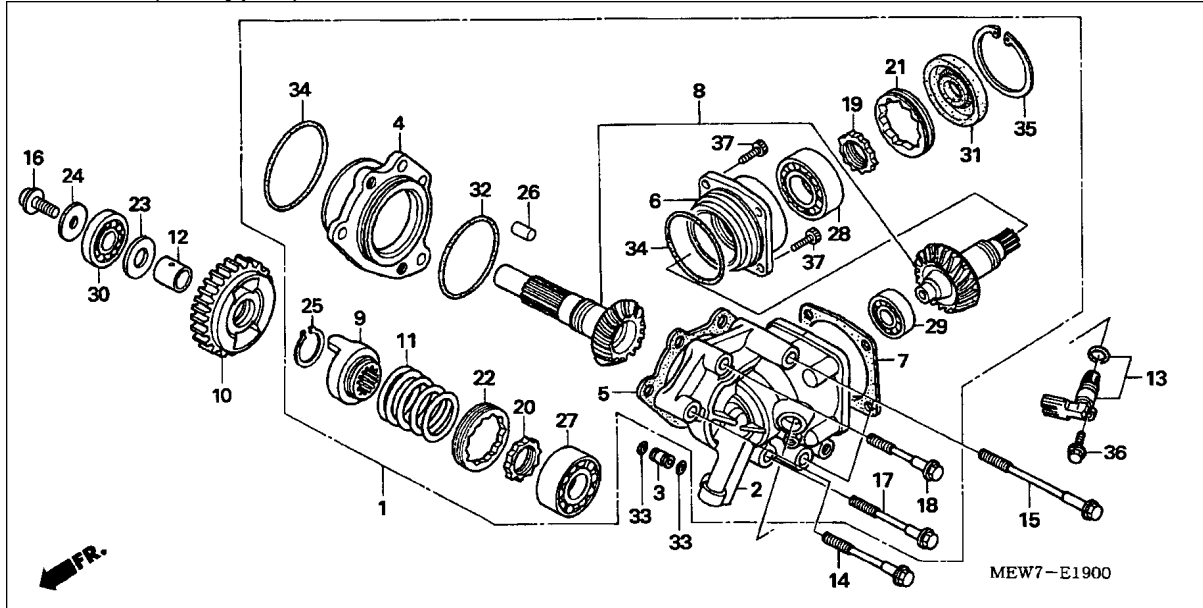
Ref No	Part No	Description	Qty
1	24211-MEW-920	FORK, R. GEARSHIFT	1
2	24212-MEW-920	FORK, CENTRE GEARSHIFT	1
3	24213-MEW-920	FORK, L. GEARSHIFT	1
4	24241-MBL-610	SHAFT, SHIFT FORK	1
5	24300-MEW-920	DRUM COMP., GEARSHIFT	1
6	24320-MEW-920	PLATE COMP., CAM	1
7	24430-MF5-000	STOPPER COMP., GEARSHIFT DRUM	1
8	24432-413-000	COLLAR, GEARSHIFT DRUM STOPPER	1
9	24435-MM9-000	SPRING, SHIFT DRUM STOPPER	1
10	24610-MEW-920	ARM COMP., GEARSHIFT	1
11	24641-216-000	SPRING, GEARSHIFT ARM	1
12	24651-MB0-010	SPRING, GEARSHIFT RETURN	1
13	24652-259-000	PIN, SHIFT RETURN SPRING	1
14	90488-MB0-000	WASHER, 6X2.3	1
15	91008-374-003	BEARING, BALL, 16005 (NTN)	1
16	95701-06022-00	BOLT, FLANGE, 6X22	1
17	95801-06028-08	BOLT, FLANGE, 6X28	1
18	96220-40118	ROLLER, 4X11.8	6



Ref. No.	L.O.N.	(Relative ref. Number) Description	F.R.T.
1	1111R8	JOINT, WATER HOSE	1.4
3	1141F4	PIPE, WATER OUTLET :FRONT	1.6
	1141H4	PIPE, WATER OUTLET :BOTH	1.7
5	1141F5	PIPE, WATER OUTLET :REAR	1.6
	1141H4	PIPE, WATER OUTLET :BOTH	1.7
6	1141F6	HOSE, MAIN WATER	1.2
8	1141F7	O-RING, WATER JOINT	1.6

.NOTE: Same time for two units

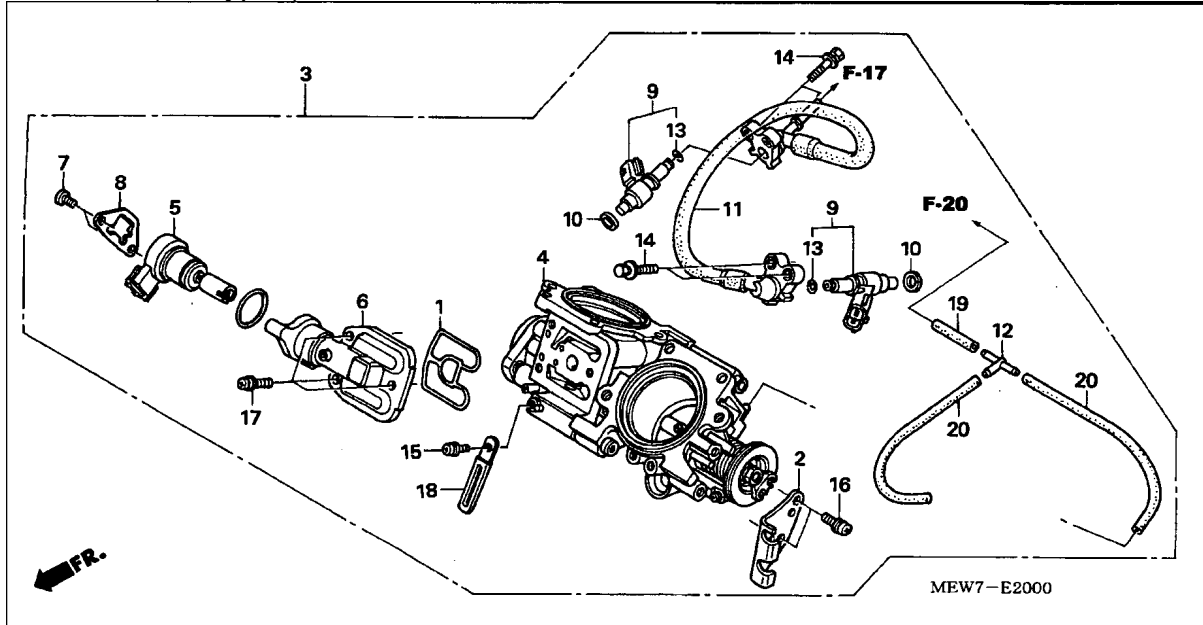
Ref No	Part No	Description	Qty
1	19503-MEW-920	JOINT, WATER HOSE	1
2	19505-MEG-000	JOINT, WATER (FR-RR)	1
3	19510-MEW-920	PIPE COMP. A, WATER OUTLET	1
4	19516-ML7-691	CLAMP, HOSE, 24-32MM	2
5	19520-MEW-920	PIPE COMP. B, WATER OUTLET	1
6	19531-MEW-920	HOSE, MAIN WATER	1
7	90601-MEG-000	CLIP, RING, 22MM	2
8	91310-MB0-003	O-RING, 21.5X2	2
9	91312-KE8-003	O-RING, 17X3 (ARAI)	2
10	91356-169-003	O-RING	1
11	95701-06020-00	BOLT, FLANGE, 6X20	2
12	96001-06016-00	BOLT, FLANGE, 6X16	2



Ref. No.	L.O.N.	(Relative ref. Number) Description	F.R.T.
1	211121	CASE ASSY., SIDE GEARINCLUDES: Engine removal and installation	8.8
2	2111D8	CASE, SIDE GEARINCLUDES: Engine removal and installation	5.5
4	2111C4	HOLDER, FINAL DRIVESHAFT BEARINGINCLUDES: Engine removal and installation	9.5
5	2111B6	SHIM, FINAL DRIVESHAFTINCLUDES: Engine removal and installation	4.8
6	2111C3	HOLDER, CROSS SHAFT BEARING ..	3.1
7	2111B5	SHIM, CROSS SHAFT	2.5
8	2111C0	DRIVESHAFT SET, FINALINCLUDES: Engine removal and installation	10.2
10	2111C1	GEAR, DAMPER SHAFTINCLUDES: Engine removal and installation	8.6
11	(9)		
	2111C2	SPRING, DAMPERINCLUDES: Engine removal and installation	8.8

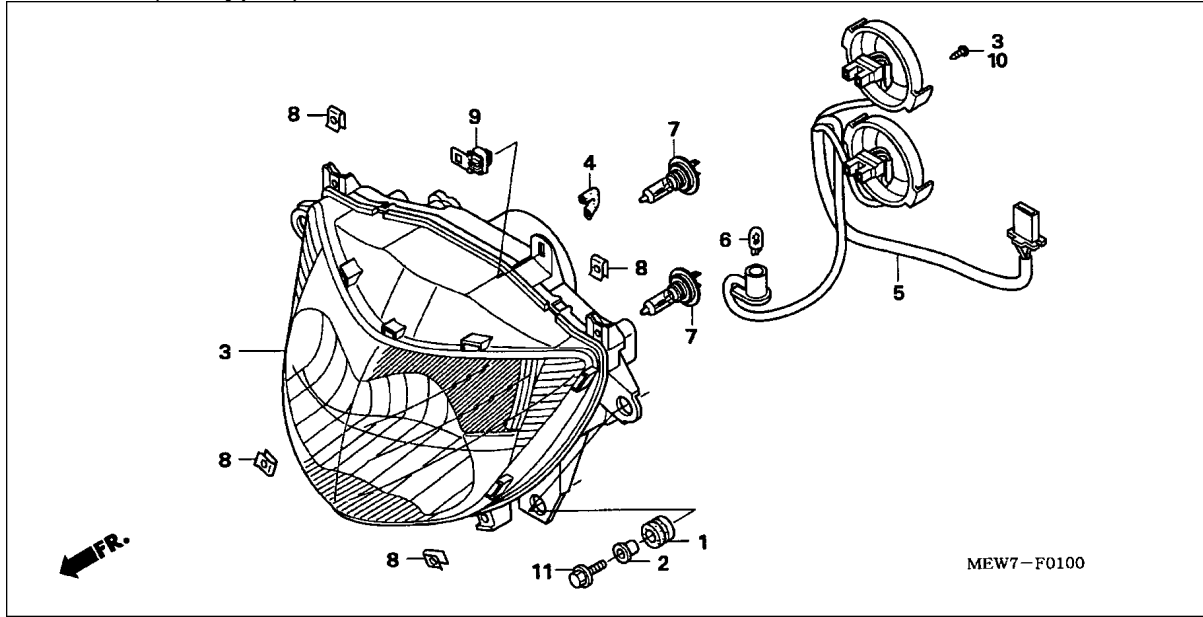
Ref No	Part No	Description	Qty
1	21100-MEW-920	CASE ASSY., SIDE GEAR	1
2	21200-MEW-920	CASE COMP., SIDE GEAR	1
3	21215-MEW-920	ORIFICE, SIDE GEAR CASE	1
4	21281-MEW-920	HOLDER, FINAL DRIVESHAFT BEARING	1
5	21314-MEG-000	SHIM, FINAL DRIVESHAFT (0.55)	1
5	21316-MEG-000	SHIM, FINAL DRIVESHAFT (0.65)	1
5	21315-MEG-000	SHIM, FINAL DRIVESHAFT (0.60)	1
5	21317-MEG-000	SHIM, FINAL DRIVESHAFT (0.70)	1
5	21318-MEG-000	SHIM, FINAL DRIVESHAFT (0.75)	1
5	21313-MEG-000	SHIM, FINAL DRIVESHAFT (0.50)	1
5	21309-MEG-000	SHIM, FINAL DRIVESHAFT (0.30)	1
5	21310-MEG-000	SHIM, FINAL DRIVESHAFT (0.35)	1
5	21311-MEG-000	SHIM, FINAL DRIVESHAFT (0.40)	1
5	21312-MEG-000	SHIM, FINAL DRIVESHAFT (0.45)	1
6	21371-MS9-000	HOLDER, CROSS SHAFT BEARING	1
7	21382-MB0-770	SHIM, CROSS SHAFT (0.45)	1
7	21377-MB0-770	SHIM, CROSS SHAFT (0.20)	1
7	21378-MB0-770	SHIM, CROSS SHAFT (0.25)	1
7	21379-MB0-770	SHIM, CROSS SHAFT (0.30)	1
7	21381-MB0-770	SHIM, CROSS SHAFT (0.40)	1
7	21383-MB0-770	SHIM, CROSS SHAFT (0.50)	1

Ref No	Part No	Description	Qty
7	21384-MB0-770	SHIM, CROSS SHAFT (0.55)	1
7	21385-MB0-770	SHIM, CROSS SHAFT (0.60)	1
7	21380-MB0-770	SHIM, CROSS SHAFT (0.35)	1
8	23200-MEW-920	SHAFT SET, FINAL DRIVE	1
9	23721-ME9-000	LIFTER, DAMPER	1
10	23726-MEW-920	GEAR, DAMPER SHAFT (31T)	1
11	23732-MEW-920	SPRING, DAMPER	1
12	23733-MS9-000	COLLAR, 20X24X19.8	1
13	37700-MEW-921	SENSOR ASSY., SPEED	1
14	90029-MBL-610	BOLT, UBS, 8X65	1
15	90030-MBL-610	BOLT, UBS, 8X110	2
16	90037-ME9-000	BOLT, SPECIAL, 10MM	1
17	90063-MB0-003	BOLT, UBS, 8X60	1
18	90065-HA8-680	BOLT, UBS, 8X45	1
19	90241-MB0-000	NUT, LOCK, 30MM	1
20	90241-MEW-920	NUT, LOCK, 30MM	1
21	90242-MB0-000	NUT, LOCK, 64MM	1
22	90244-MCH-000	NUT, LOCK, 64MM	1
23	90401-MEW-920	WASHER, THRUST SPECIAL, 20X35X1.5	1
24	90409-952-000	WASHER, 10MM	1
25	90602-463-000	CIRCLIP, EXTERNAL, 28MM	1
26	90701-MG8-000	DOWEL PIN, 10X24	1
27	91007-MCH-003	BEARING, SPECIAL BALL, 5206 (NTN)	1
28	91008-300-008	BEARING, BALL, 5206 (TOYO)	1
29	91011-MB0-004	BEARING, BALL, 6303 (TOYO)	1
29	91011-MB0-003	BEARING, BALL, 6303 (KOYO)	1
30	91102-GE1-711	BEARING, RADIAL BALL, 6204 (TOYO)	1
31	91205-MG7-003	OIL SEAL, 25X66X8.5 (ARAI)	1
32	91301-MS9-003	O-RING, 64X2.5	1
33	91307-422-000	O-RING, 4.9X1.9	2
34	91314-MG7-003	O-RING, 69.5X3 (ARAI)	2
35	94520-65120	CIRCLIP, INTERNAL, 65MM	1
36	95701-06016-00	BOLT, FLANGE, 6X16	1
37	96700-08022-17	BOLT, SOCKET, 8X22	4



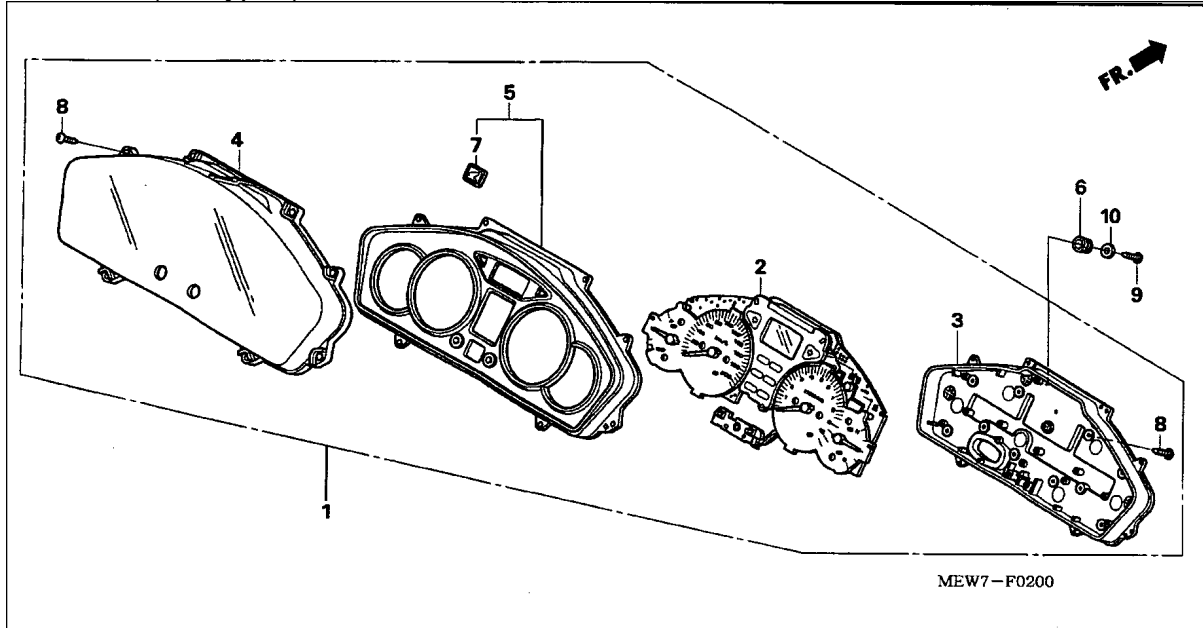
Ref. No.	L.O.N.	(Relative ref. Number) Description	F.R.T.
3	311132	BODY ASSY., THROTTLE	1.5
4	311130	BODY, THROTTLE	1.6
5	3111N5	VALVE, IDLE AIR CONTROL	0.8
6		(1)	
	3111P5	BODY, IDLE AIR CONTROL VALVE .	0.7
9	3111B2	INJECTOR, FUEL :FRONT	0.8
	3111E3	INJECTOR, FUEL :REAR	0.8
	3111B7	INJECTOR, FUEL :FOR 1 VEHICLE	0.9
11	311140	PIPE, FUEL	0.9

Ref No	Part No	Description	Qty
1	16075-MEW-921	O-RING	1
2	16169-MEW-921	STAY, WIRE	1
3	16400-MEW-921	THROTTLE BODY ASSY. (GQ66A A)	1
4	16401-MEW-921	THROTTLE BODY ASSY.	1
5	16430-MEW-921	MOTOR ASSY.	1
6	16431-MEW-921	BODY COMP., IDLE AIR CONTROL VALVE	1
7	16433-HN8-A61	SCREW, TORX,	2
8	16433-MEW-921	PLATE, IDLE AIR CONTROL VALVE	1
9	16450-MEW-922	INJECTOR ASSY., FUEL	2
10	16472-MCW-000	SEAL RING, INJECTOR	2
11	16610-MEW-921	PIPE COMP., FUEL	1
12	17201-MG9-000	JOINT A, VACUUM TUBE	1
13	91301-P7A-004	O-RING	2
14	93403-05025-00	BOLT-WASHER, 5X25	4
15	93892-04008-10	SCREW-WASHER, 4X8	1
16	93892-05012-10	SCREW-WASHER, 5X12	2
17	93892-05016-10	SCREW-WASHER, 5X16	3
18	94591-25000	CLIP, 2X50	1
19	95005-35050-20	TUBE, 3.5X50 (95005-35001-20M)	1
20	95005-35160-20	TUBE, 3.5X160 (95005-35001-20M)	2



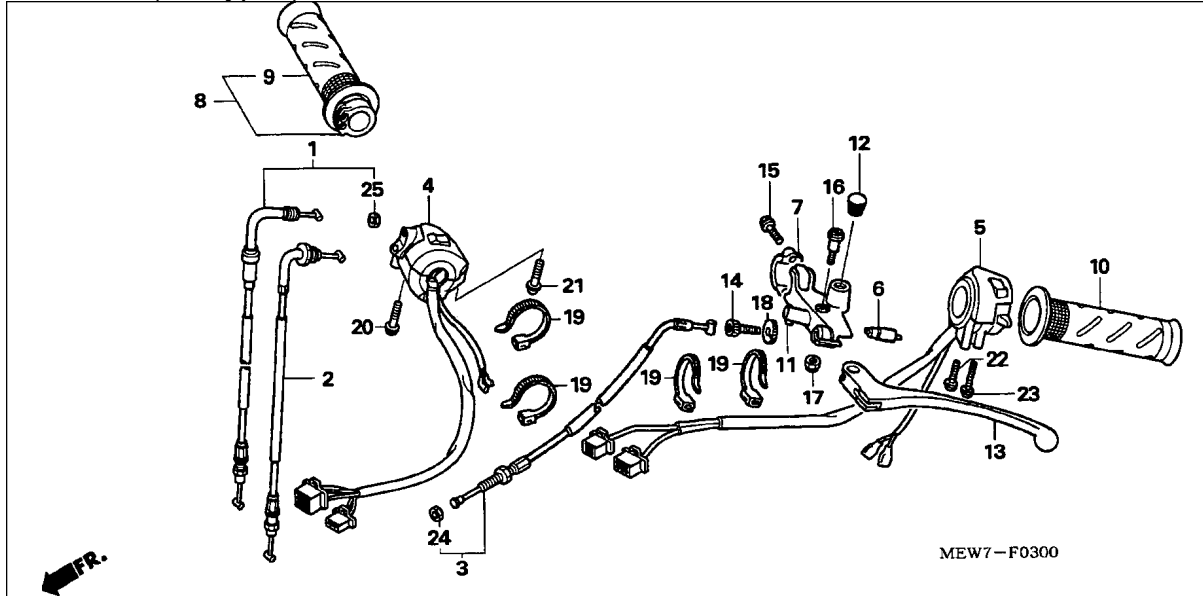
Ref. No.	L.O.N.	(Relative ref. Number) Description	F.R.T.
3	6161A7	HEADLIGHT UNIT	1.3
5	6161B1	SOCKET, HEADLIGHT	0.8
6	616182	BULB, POSITION LIGHT	0.1
7	616118	BULB, HEADLIGHT	0.1
	616118A	.Replace 1 headlight bulb add	0.1

Ref No	Part No	Description	Qty
1	19051-KA3-830	RUBBER, RADIATOR MOUNTING	4
2	19052-MN8-000	COLLAR, RADIATOR MOUNTING	4
3	33102-MEW-921	HEADLIGHT UNIT	1
4	33113-MBT-D21	PIPE, CP	4
5	33140-MEW-921	SOCKET COMP.	1
6	33301-MBT-D21	BULB, POSITION LIGHT	1
7	34901-MAT-611	BULB, HEADLIGHT (12V 55W)(H7)	2
8	90677-KAN-961	NUT, CLIP, 5MM	4
9	91565-SEL-003	CLIP, COUPLER (BLACK)	1
10	93913-24210	SCREW, TAPPING, 4X12 (PO)	1
11	95701-06022-00	BOLT, FLANGE, 6X22	4



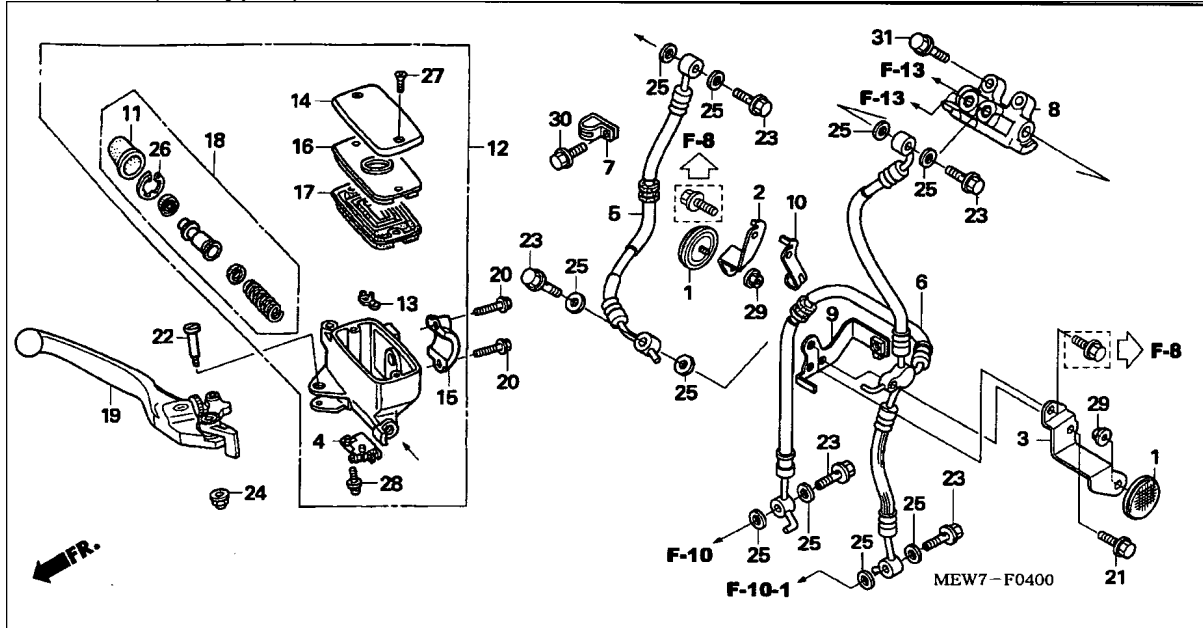
Ref. No.	L.O.N.	(Relative ref. Number) Description	F.R.T.
1	8121A1	METER ASSY., COMBINATION	1.2
2	8121A2	METER, COMBINATION	1.5
3	8121B5	CASE, METER :LOWER	1.5
4	8121B7	LENS, METER	0.5
5	4131A3	PLATE, REFLECTING	0.5

Ref No	Part No	Description	Qty
1	37100-MEW-901	METER ASSY., COMBINATION (MPH/KPH)	1
1	37100-MEW-921	METER ASSY., COMBINATION (KPH)	1
2	37110-MEW-901	METER ASSY., SPEED & TACHO & FUEL & TEMPERATURE (MPH/KPH)	1
2	37110-MEW-921	METER ASSY., SPEED & TACHO & FUEL & TEMPERATURE (KPH)	1
3	37211-MEW-921	CASE ASSY., LOWER	1
4	37212-MEW-921	LENS ASSY.	1
5	37213-MEW-921	PLATE ASSY., REFLECTING	1
6	37215-MA6-008	RUBBER, METER CUSHION	4
7	86150-KPG-901	EMBLEM, PRODUCT (MARUI)	1
8	93903-22420	SCREW, TAPPING, 3X16	19
9	93913-25380	SCREW, TAPPING, 5X14 (PO)	4
10	94103-05700	WASHER, PLAIN, 5MM	4



Ref. No.	L.O.N.	(Relative ref. Number) Description	F.R.T.
1	(2)		
1	811100	CABLE, THROTTLE	0.8
		.NOTE: Same time for two units	
3	811115	CABLE, CLUTCH	0.9
4	615120	SWITCH, STARTER KILL	0.7
5	615118	SWITCH, WINKER	0.5
6	6151A9	SWITCH, CLUTCH	0.2
7	8101C8	BRACKET, HANDLE LEVER :LEFT ..	0.2
8	810150	GRIP, THROTTLE	0.2
9	8101C1	GRIP, HANDLE :RIGHT	0.2
10	8101C0	GRIP, HANDLE :LEFT	0.1
13	8101C6	LEVER, HANDLE :LEFT	0.1
	8101F5	LEVER, HANDLE :BOTH	0.2

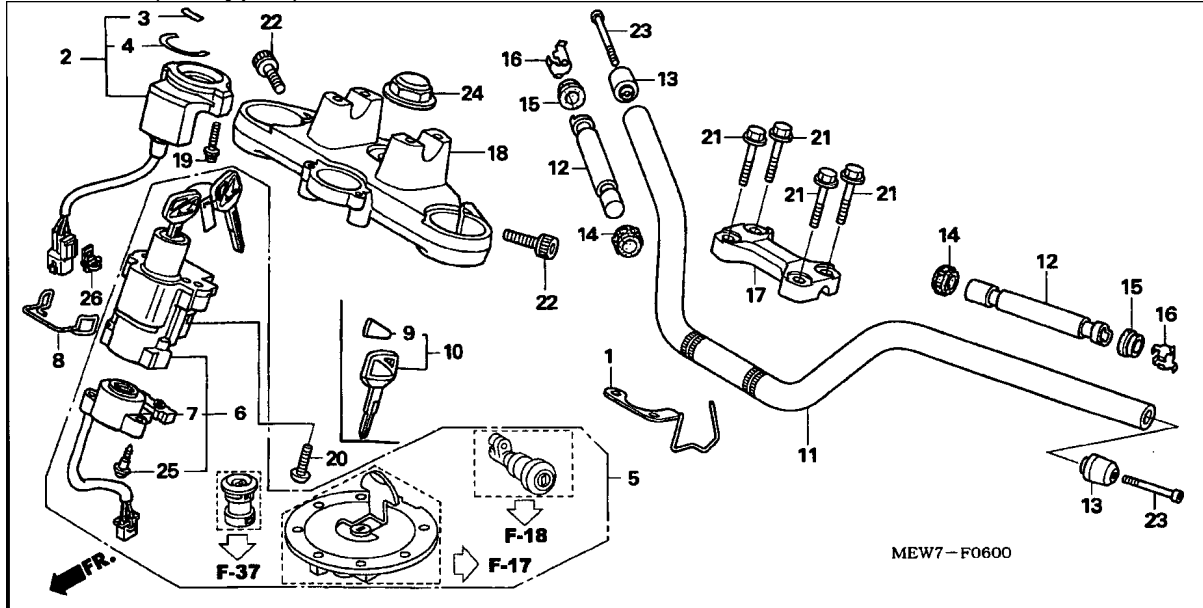
Ref No	Part No	Description	Qty
1	17910-MEW-921	CABLE COMP. A, THROTTLE	1
2	17920-MEW-921	CABLE COMP. B, THROTTLE	1
3	22870-MEW-921	CABLE COMP., CLUTCH	1
4	35130-MEW-920	SWITCH ASSY., ENGINE STOP	1
5	35200-MEW-920	SWITCH ASSY., WINKER	1
6	35330-413-003	SWITCH COMP., FR. LEVER	1
7	45517-MBL-611	HOLDER, MASTER CYLINDER	1
8	53140-MCF-000	GRIP ASSY., THROTTLE	1
9	53165-MY9-890	GRIP, R. HANDLE	1
10	53166-MY9-890	GRIP, L. HANDLE	1
11	53172-MY5-C60	BRACKET, HANDLE LEVER	1
12	53174-MY5-G30	PLUG, HANDLE LEVER BRACKET	1
13	53178-KV0-000	LEVER COMP., L. HANDLE	1
14	53192-MY5-730	BOLT, WIRE ADJUSTING	1
15	90101-MBZ-G00	BOLT, FLANGE, 6X22	2
16	90113-438-000	BOLT, L. STEERING HANDLE LEVER PIVOT	1
17	90201-MY5-730	NUT, LOCK	1
18	90321-MY5-730	NUT, FIXING	1
19	90650-KW3-000	BAND, WIRE	4
20	93892-05020-07	SCREW-WASHER, 5X20	1
21	93892-05025-07	SCREW-WASHER, 5X25	1
22	93892-05035-07	SCREW-WASHER, 5X35	1
23	93892-05045-07	SCREW-WASHER, 5X45	1
24	94002-08000-0S	NUT, HEX., 8MM	1
25	94002-10070-0S	NUT, HEX., 10MM	1



Ref. No.	L.O.N.	(Relative ref. Number) Description	F.R.T.
4	6151B2	SWITCH, FRONT STOP	0.1
5	7121A6	HOSE A, FRONT BRAKE MAIN	0.4
		.INCLUDES: Bleed brakes	
6	7121A8	HOSE C, FRONT BRAKE MAIN	0.5
		.INCLUDES: Bleed brakes	
8	7111M7	JOINT, BRAKE HOSE	0.5
		.INCLUDES: Bleed brakes	
12	712105	CYLINDER, FRONT BRAKE MASTER	0.4
		.INCLUDES: Bleed brakes	
17	7121G6	DIAPHRAGM, FRONT BRAKE MASTER	0.1
18	7121G9	PISTON SET, FRONT BRAKE MASTER	0.4
		.INCLUDES: Bleed brakes	
19	8101C7	LEVER, HANDLE :RIGHT	0.1
	8101F5	LEVER, HANDLE :BOTH	0.2

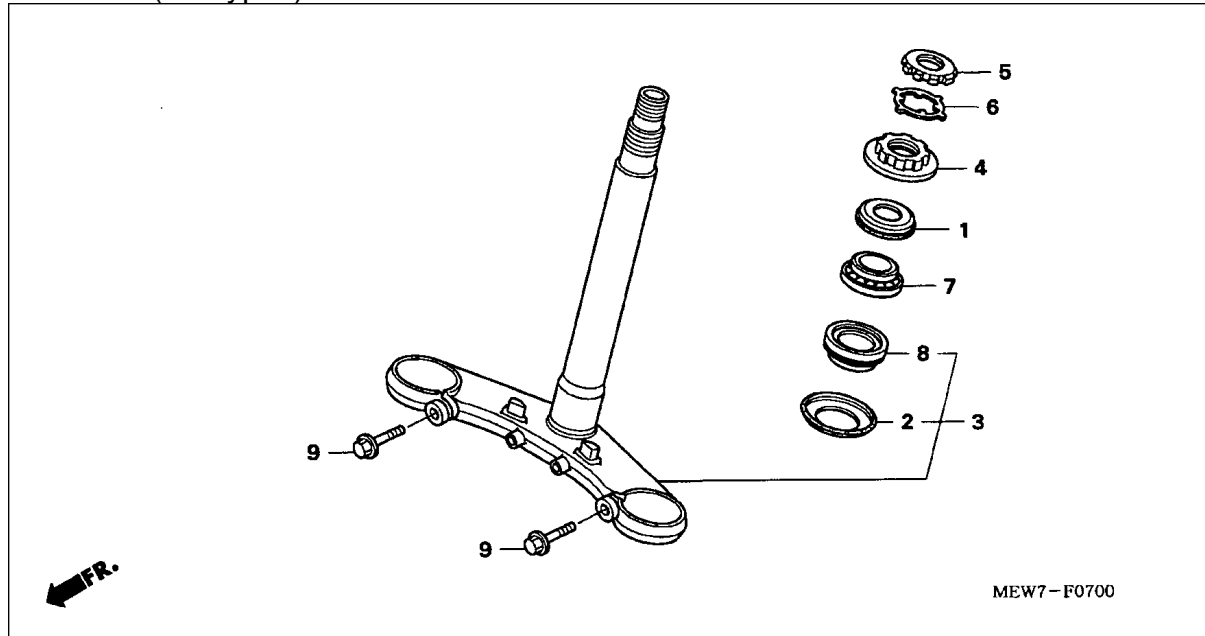
Ref No	Part No	Description	Qty
1	33741-KAK-971	REFLECTOR, FR. REFLEX	2
2	33742-MEW-930	STAY, R. FR. REFLECTOR	1
3	33743-MEW-930	STAY, L. FR. REFLECTOR	1
4	35340-MM5-600	SWITCH ASSY., FR. STOP	1
5	45124-MEW-921	HOSE COMP. A, FR. BRAKE MAIN	1
6	45128-MEW-921	HOSE COMP. C, FR. BRAKE MAIN	1
7	45156-MEW-920	CLAMPER, FR. BRAKE HOSE	1
8	45157-MEW-921	JOINT, BRAKE HOSE	1
9	45158-MEW-920	STAY COMP., L. FR. BRAKE HOSE	1
10	45159-MEW-920	CLAMPER, R. FR. BRAKE HOSE	1
11	45504-410-003	BOOT COMP.	1
12	45510-MBZ-305	CYLINDER SUB ASSY., FR. MASTER	1
13	45512-MA6-006	PROTECTOR	1
14	45513-MM5-016	CAP, MASTER CYLINDER (NISSIN)	1
15	45517-166-006	HOLDER, MASTER CYLINDER	1
16	45518-MM5-006	PLATE, DIAPHRAGM	1
17	45520-MM5-006	DIAPHRAGM	1
18	45530-471-831	CYLINDER SET, MASTER	1
19	53170-MBR-J11	LEVER ASSY., R. HANDLE	1
20	90101-MBZ-G00	BOLT, FLANGE, 6X22	2
21	90119-MEW-930	BOLT, FLANGE, 6X24 (SH)	1
21	90101-MEW-920	BOLT, FLANGE, 6X21 (SH)	1
22	90114-MA5-671	BOLT, HANDLE LEVER PIVOT	1
23	90145-MS9-612	BOLT, OIL, 10X22	5
24	90201-415-000	NUT, CAP, 6MM	1
25	90545-300-000	WASHER, OIL BOLT	10

Ref No	Part No	Description	Qty
26	90651-MA5-671	CIRCLIP	1
27	93600-04012-1G	SCREW, FLAT, 4X12	2
28	93893-04012-17	SCREW-WASHER, 4X12	1
29	94050-06070	NUT, FLANGE, 6MM	2
30	96001-06012-07	BOLT, FLANGE, 6X12	1
31	96001-06032-00	BOLT, FLANGE, 6X32	2



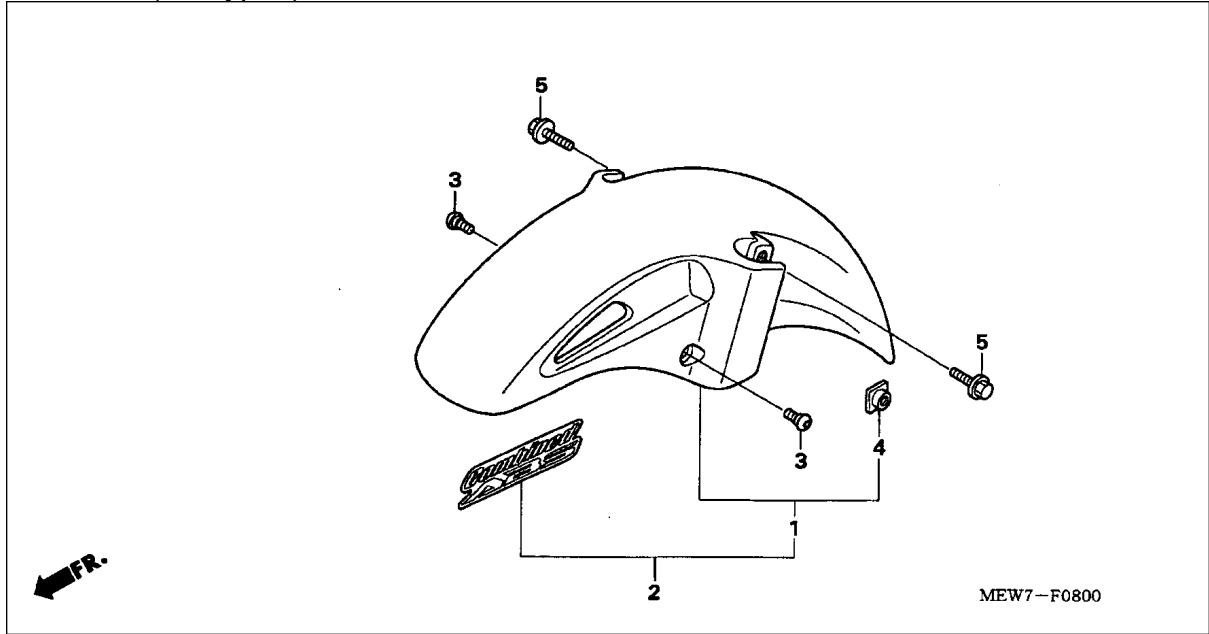
Ref. No.	L.O.N.	(Relative ref. Number) Description	F.R.T.
2	6141A2	RECEIVER UNIT, IMMOBILIZER ...	1.2
5	6151A1	KEY SET	1.6
6	615145	SWITCH, COMBINATION & LOCK ...	1.3
7	6151C2	BASE, CONTACT	1.2
10	6151D9	KEY, BLANK	0.2
.NOTE: HISS type			
.EXCLUDES: Key cutting			
11	810100	PIPE, STEERING HANDLE	0.7
12	8101D6	WEIGHT B, HANDLE :LEFT	0.2
	8101D7	WEIGHT B, HANDLE :RIGHT	0.2
	8101D8	WEIGHT B, HANDLE :BOTH	0.4
18	510110	BRIDGE, FORK TOP	1.2

Ref No	Part No	Description	Qty
1	17970-MEW-920	GUIDE, THROTTLE CABLE	1
2	30430-MEW-315	RECEIVER UNIT	1
2	30430-MEW-921	RECEIVER UNIT	1
3	30432-MBW-E00	MARK, RECEIVER	1
4	30433-MBW-601	SEAL, IGNITION SWITCH	1
5	35010-MEW-920	KEY SET	1
6	35100-MEW-921	SWITCH ASSY., COMBINATION & LOCK	1
7	35101-MEW-921	BASE COMP., CONTACT	1
8	35105-MEJ-J00	GUIDE, CORD	1
9	35113-MBW-601	EMBLEM	[1]
10	35121-MBW-601	KEY, BLANK	[1]
11	53100-MEW-920	PIPE, STEERING HANDLE	1
12	53104-MS2-000	WEIGHT B, STEERING HANDLE	2
13	53105-MCS-G00	WEIGHT, STEERING HANDLE	2
14	53106-MJ0-000	RUBBER A, HANDLE WEIGHT	2
15	53107-MEW-920	RUBBER B, HANDLE WEIGHT	2
16	53108-KR3-770	RING, HANDLE WEIGHT SNAP	2
17	53131-MEW-920	HOLDER, HANDLE UPPER	1
18	53230-MEW-920	BRIDGE, FORK TOP	1
19	90020-MBW-610	SCREW-WASHER, 5X22	2
20	90107-MBG-000	BOLT, ONE-WAY, 8MM	2
21	90111-KFK-000	BOLT, FLANGE, 8X36	4
22	90160-MN0-000	BOLT, SOCKET, 8X32	2
23	90191-MEW-920	BOLT, SOCKET, 6X75	2
24	90304-MK4-000	NUT, STEERING STEM	1
25	91059-KY2-711	SCREW, TAPPING, 3X16	3
26	91565-SEL-003	CLIP, COUPLER (BLACK)	1



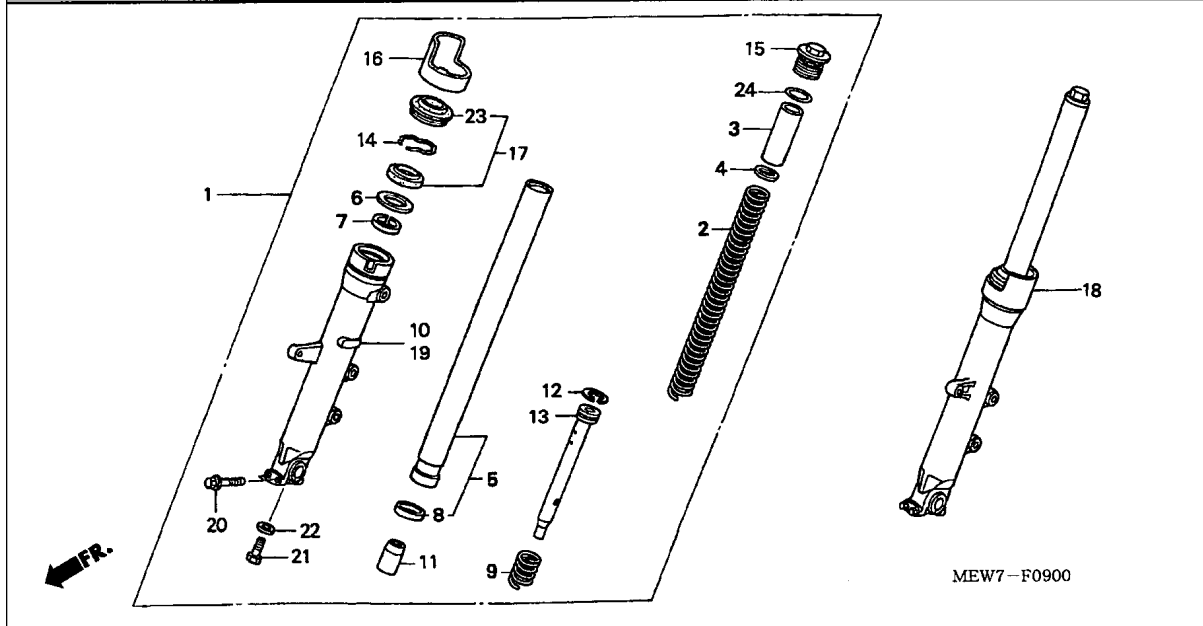
Ref. No.	L.O.N.	(Relative ref. Number) Description	F.R.T.
3	510100	STEM OR SHAFT ASSY., STEERING	1.8
4	5101B2	THREAD, STEERING HEAD TOP	1.1
7	5101B6	BEARING, HEAD PIPE :UPPER	1.8
	5101C7	BEARING, HEAD PIPE :BOTH	2.0
8	5101B7	BEARING, HEAD PIPE :LOWER	2.0
	5101C7	BEARING, HEAD PIPE :BOTH	2.0

Ref No	Part No	Description	Qty
1	53213-MB4-771	DUST SEAL, STEERING HEAD (ARAI)	1
2	53214-371-010	DUST SEAL, STEERING HEAD	1
3	53219-MEW-920	STEM SUB ASSY., STEERING	1
4	53220-422-000	THREAD COMP., STEERING HEAD TOP	1
5	90302-425-830	THREAD B, STEERING HEAD TOP	1
6	90506-MBL-610	WASHER	1
7	91015-KT8-005	BEARING, HEAD PIPE UPPER (KOYO)	1
8	91016-KT8-005	BEARING, HEAD PIPE UNDER (KOYO)	1
9	96400-10035-07	BOLT, FLANGE, 10X35	2



Ref. No.	L.O.N.	(Relative ref. Number) Description	F.R.T.
2	(1) 4131B7	FENDER, FRONT	0.3

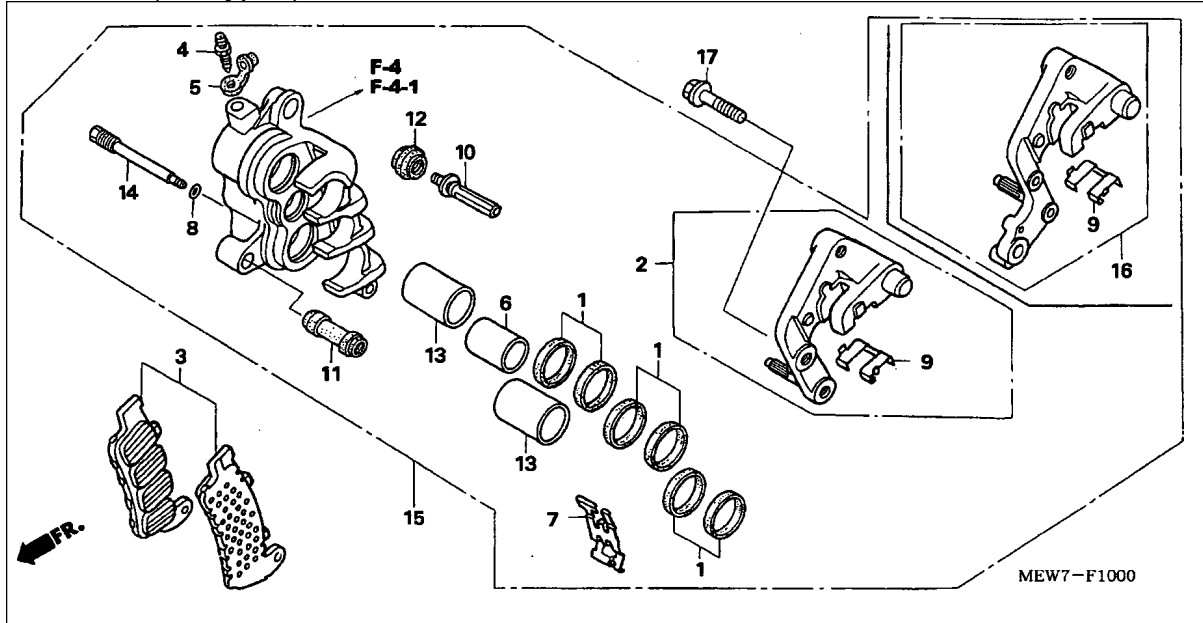
Ref No	Part No	Description	Qty
1	61100-MBL-D00ZA	FENDER ASSY., FR. *NH138* SHASTA WHITE	1
1	61100-MBL-D00ZT	FENDER ASSY., FR. *B183M* PETROL BLUE METALLIC	1
1	61100-MBL-D00ZU	FENDER ASSY., FR. *NHA65P* PEARL CONCOURSE BLACK	1
1	61100-MBL-D00ZV	FENDER ASSY., FR. *YR264M* DUSK BEIGE METALLIC	1
1	61100-MBL-D00ZW	FENDER ASSY., FR. *NH229MU* ANCHOR GRAY METALLIC-U	1
3	90106-KCZ-000	SCREW, SPECIAL, 6MM	2
4	90302-MB1-000	NUT, SPECIAL, 6MM	2
5	96001-06022-07	BOLT, FLANGE, 6X22	2
5	96001-06025-07	BOLT, FLANGE, 6X25	2



Ref. No.	L.O.N.	(Relative ref. Number) Description	F.R.T.
1	5111C3	FORK ASSY., FRONT :RIGHT	0.8
	5111C4	FORK ASSY., FRONT :BOTH	1.0
2	5111C5	SPRING, FRONT FORK :LEFT	0.3
	5111C6	SPRING, FRONT FORK :RIGHT	0.3
	5111C7	SPRING, FRONT FORK :BOTH	0.5
5	5111G2	PIPE, FRONT FORK :LEFT	1.2
	5111G3	PIPE, FRONT FORK :RIGHT	1.2
	5111G4	PIPE, FRONT FORK :BOTH	1.8
10	5111D2	CASE, BOTTOM :RIGHT	1.2
	5111D3	CASE, BOTTOM :BOTH	1.8
16	5111F4	PROTECTOR, FRONT FORK :LEFT	0.8
	5111F5	PROTECTOR, FRONT FORK :RIGHT	0.8
	5111H6	PROTECTOR, FRONT FORK :BOTH	0.9
17	5111E7	SEAL SET, FRONT FORK :LEFT	1.1
	5111E8	SEAL SET, FRONT FORK :RIGHT	1.1
	5111E9	SEAL SET, FRONT FORK :BOTH	1.6
18	5111C2	FORK ASSY., FRONT :LEFT	0.8
	5111C4	FORK ASSY., FRONT :BOTH	1.0
19	5111D1	CASE, BOTTOM :LEFT	1.2
	5111D3	CASE, BOTTOM :BOTH	1.8

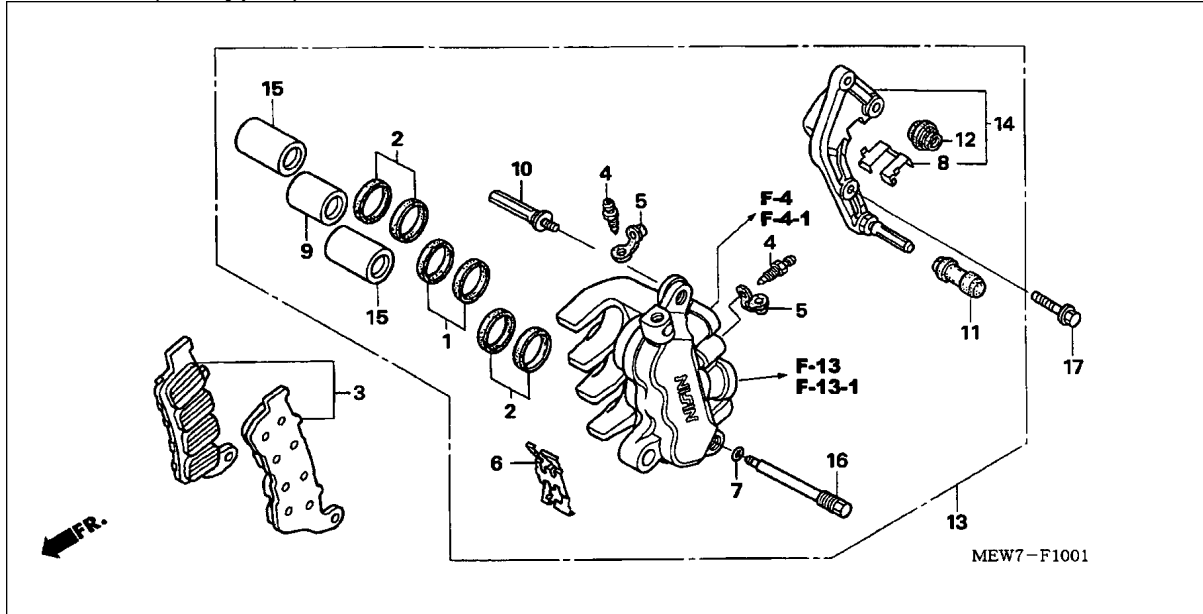
Ref No	Part No	Description	Qty
1	51400-MEW-921	FORK ASSY., R. FR.	1
2	51401-MEW-921	SPRING, FR. FORK	2
3	51402-MV8-901	COLLAR, SPRING	2
4	51403-MBL-611	SEAT, SPRING	2
5	51410-MEW-921	PIPE COMP., FR. FORK	2
6	51412-MBL-611	RING, BACK UP	2
7	51414-KCR-003	BUSH, GUIDE (SHOWA)	2
8	51415-KCR-003	BUSH, SLIDER (SHOWA)	2
9	51416-MBL-611	SPRING, FR. REBOUND	2
10	51420-MEW-921	CASE, R. BOTTOM	1
11	51432-MBL-D01	PIECE, OIL LOCK	2
12	51437-MEW-921	RING, PISTON	2
13	51440-MEW-921	PIPE, SEAT	2
14	51447-MBL-611	RING, OIL SEAL STOP	2
15	51454-MER-D01	BOLT, FR. FORK	2
16	51460-MT3-611	PROTECTOR, FORK PIPE	2
17	51490-MEE-D01	SEAL SET, FR. FORK	2
18	51500-MEW-921	FORK ASSY., L. FR.	1
19	51520-MEW-921	CASE, L. BOTTOM	1
20	90109-MR7-000	BOLT, FLANGE, 8X45	4
21	90116-KV3-701	BOLT, SOCKET, 8MM	2
22	90544-283-000	WASHER, SPECIAL, 8MM	2

Ref No	Part No	Description	Qty
23	91254-MEE-D01	DUST SEAL	2
24	91356-KF0-003	O-RING, 33.2X2.4	2



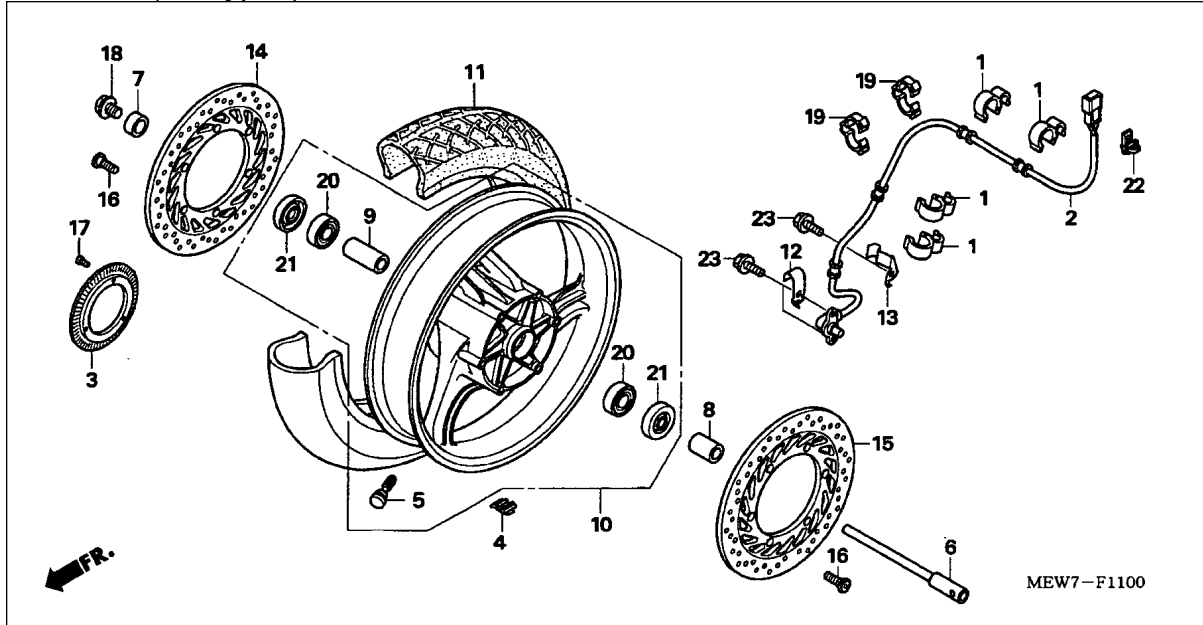
Ref. No.	L.O.N.	(Relative ref. Number) Description	F.R.T.
2	(16)		
	7111C0	BRACKET, FRONT CALIPER :RIGHT	0.2
	7111F0	BRACKET, FRONT CALIPER :BOTH	0.4
3	7111A1	SHOE(PAD) SET, BRAKE	
		:RIGHT FRONT	0.1
	7111A2	SHOE(PAD) SET, BRAKE	
		:BOTH FRONT	0.2
6	(1,13)		
	7111D3	PISTON, FRONT BRAKE CALIPER	
		:RIGHT	0.6
		.INCLUDES: Bleed brakes	
		.NOTE: Same time for two units or more	
	7111D4	PISTON, FRONT BRAKE CALIPER	
		:BOTH	1.2
		.INCLUDES: Bleed brakes	
15	7111B6	CALIPER, FRONT BRAKE :RIGHT ..	0.4
		.INCLUDES: Bleed brakes	
	7111B7	CALIPER, FRONT BRAKE :BOTH ...	0.8
		.INCLUDES: Bleed brakes	

Ref No	Part No	Description	Qty
1	06451-MZ2-405	SEAL SET, PISTON	3
2	06453-MCW-H01	BRACKET SUB ASSY., R. FR.	1
3	06455-MCW-H01	PAD SET, R. FR.	1
4	43352-568-003	SCREW, BLEEDER (NISSIN)	1
5	43353-461-771	CAP, BLEEDER	1
6	45107-MEW-921	PISTON A, 22	1
7	45108-MBT-D51	SPRING, PAD	1
8	45111-MAJ-G41	RING, STOPPER	1
9	45112-MZ2-006	RETAINER, BRACKET	1
10	45131-ML7-921	BOLT A, PIN	1
11	45132-166-016	BOOT, PIN BUSH (NISSIN)	1
12	45133-MA3-006	BOOT B	1
13	45207-MEW-921	PISTON B, 22	2
14	45215-MBT-D51	PIN, HANGER	1
15	45250-MEW-921	CALIPER SUB ASSY., R. FR.	1
17	90131-KBV-003	BOLT, FLANGE, 8X32	2



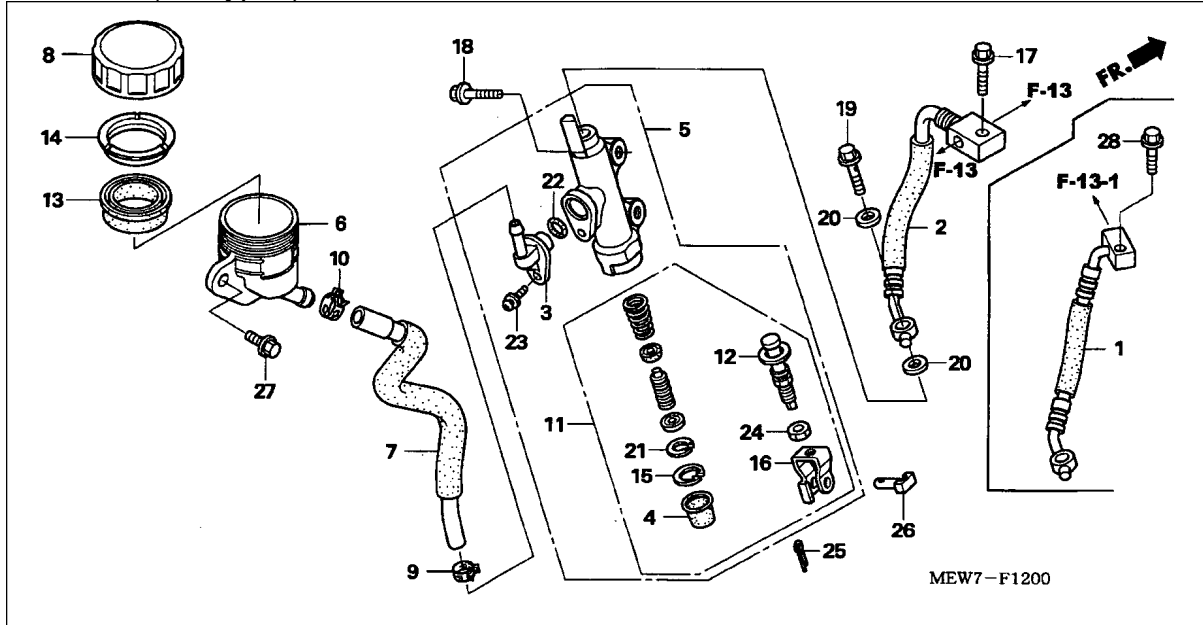
Ref. No.	L.O.N. (Relative ref. Number)	Description	F.R.T.
3	7111A0	SHOE(PAD) SET, BRAKE :LEFT FRONT	0.1
	7111A2	SHOE(PAD) SET, BRAKE :BOTH FRONT	0.2
9	(1,2,15)		
	7111D2	PISTON, FRONT BRAKE CALIPER :LEFT	0.8
		.INCLUDES: Bleed brakes .NOTE: Same time for two units or more	
	7111D4	PISTON, FRONT BRAKE CALIPER :BOTH	1.2
		.INCLUDES: Bleed-brakes	
13	7111B5	CALIPER, FRONT BRAKE :LEFT ...	0.6
		.INCLUDES: Bleed brakes	
	7111B7	CALIPER, FRONT BRAKE :BOTH ...	0.8
		.INCLUDES: Bleed brakes	
14	7111B9	BRACKET, FRONT CALIPER :LEFT .	0.2
	7111F0	BRACKET, FRONT CALIPER :BOTH .	0.4

Ref No	Part No	Description	Qty
1	06451-GE2-405	SEAL SET, PISTON	1
2	06451-MZ2-405	SEAL SET, PISTON	2
3	06456-MCW-H01	PAD SET, L. FR.	1
4	43352-568-003	SCREW, BLEEDER (NISSIN)	2
5	43353-461-771	CAP, BLEEDER	2
6	45108-MBT-D51	SPRING, PAD	1
7	45111-MAJ-G41	RING, STOPPER	1
8	45112-MZ2-006	RETAINER, BRACKET	1
9	45117-MAJ-G41	PISTON A, 25X27	1
10	45131-ML7-921	BOLT A, PIN	1
11	45132-166-016	BOOT, PIN BUSH (NISSIN)	1
12	45133-MA3-006	BOOT B	1
13	45150-MEW-921	CALIPER SUB ASSY., L. FR.	1
14	45190-KSV-J01	BRACKET SUB ASSY., L. FR.	1
15	45207-MAJ-G41	PISTON B, 22X35	2
16	45215-MBT-D51	PIN, HANGER	1
17	90131-KBV-003	BOLT, FLANGE, 8X32	2



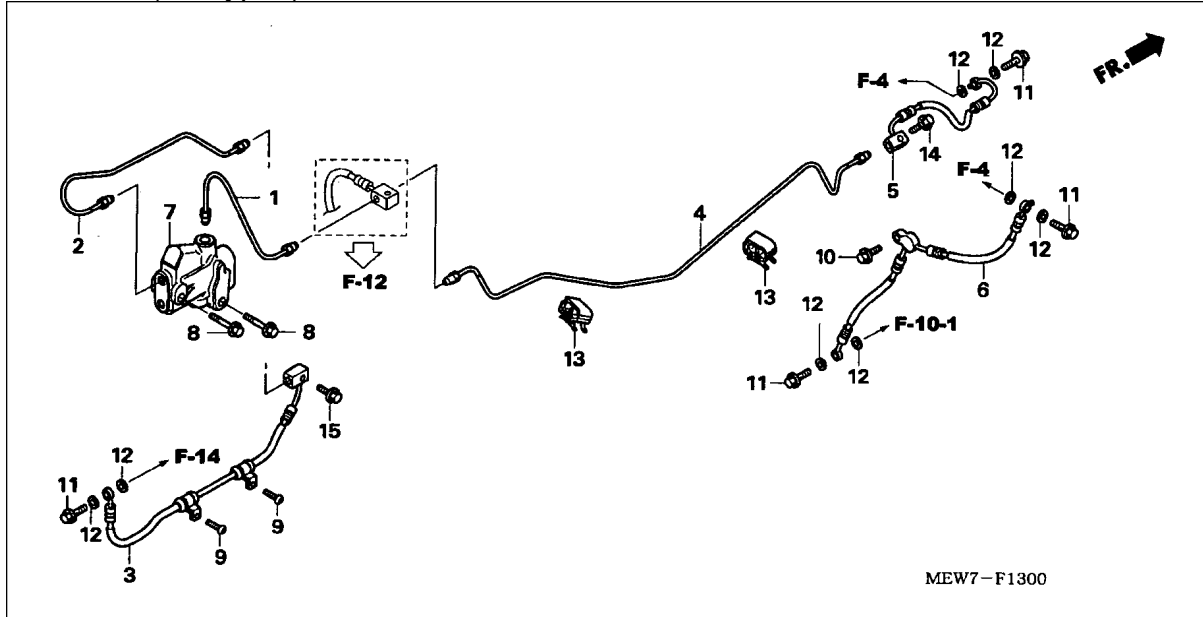
Ref. No.	L.O.N.	(Relative ref. Number) Description	F.R.T.
2	617196	SENSOR, WHEEL SPEED :FRONT ...	0.4
3	7101B0	RING, PULSER :FRONT	0.4
4	7101A6	WEIGHT, BALANCE :FRONT	0.6
6	710151	AXLE, FRONT WHEEL	0.3
10	7101D4	FRONT WHEEL	1.0
		.INCLUDES: Balance	
11	710139	FRONT TIRE(ONE)	0.9
		.INCLUDES: Balance	
14	7111D8	DISC, FRONT BRAKE :RIGHT	0.4
	7111D9	DISC, FRONT BRAKE :BOTH	0.6
15	7111D7	DISC, FRONT BRAKE :LEFT	0.4
	7111D9	DISC, FRONT BRAKE :BOTH	0.6
20		(9)	
	710115	BEARING, FRONT WHEEL(ONE)	0.5
	710115G	.Replace 1 bearing add	0.1

Ref No	Part No	Description	Qty
4	42704-MER-D00	WEIGHT, BALANCE (10G)	N
4	42705-MER-D00	WEIGHT, BALANCE (20G)	N
4	42706-MER-D00	WEIGHT, BALANCE (30G)	N
5	42753-KBS-901	VALVE, RIM (PIRELLI)	1
6	44301-MM5-000	AXLE, FR. WHEEL	1
7	44312-MBL-610	COLLAR, FR. WHEEL SIDE	1
8	44312-MEW-920	COLLAR, L. FR. WHEEL SIDE	1
9	44620-MBL-610	COLLAR, FR. AXLE DISTANCE	1
10	44650-MEW-920	WHEEL SUB ASSY., FR.	1
11	44711-MBL-614	TIRE, FR. (MICHELIN)(120/70ZR17 M/C 58W)	1
11	44711-MEW-923	TIRE, FR. (BRIDGESTONE)(120/70ZR17 M/C 58W)	1
14	45251-MER-D01	DISK, R. FR. BRAKE	1
15	45351-MER-D01	DISK, L. FR. BRAKE	1
16	90105-MBB-000	BOLT, BRAKE DISK, 8X24	12
18	90305-ML7-000	BOLT, FR. AXLE	1
20	91052-MAE-004	BEARING, RADIAL BALL, 6204UU	2
21	91253-MAE-003	DUST SEAL, 30X47X7.5	2



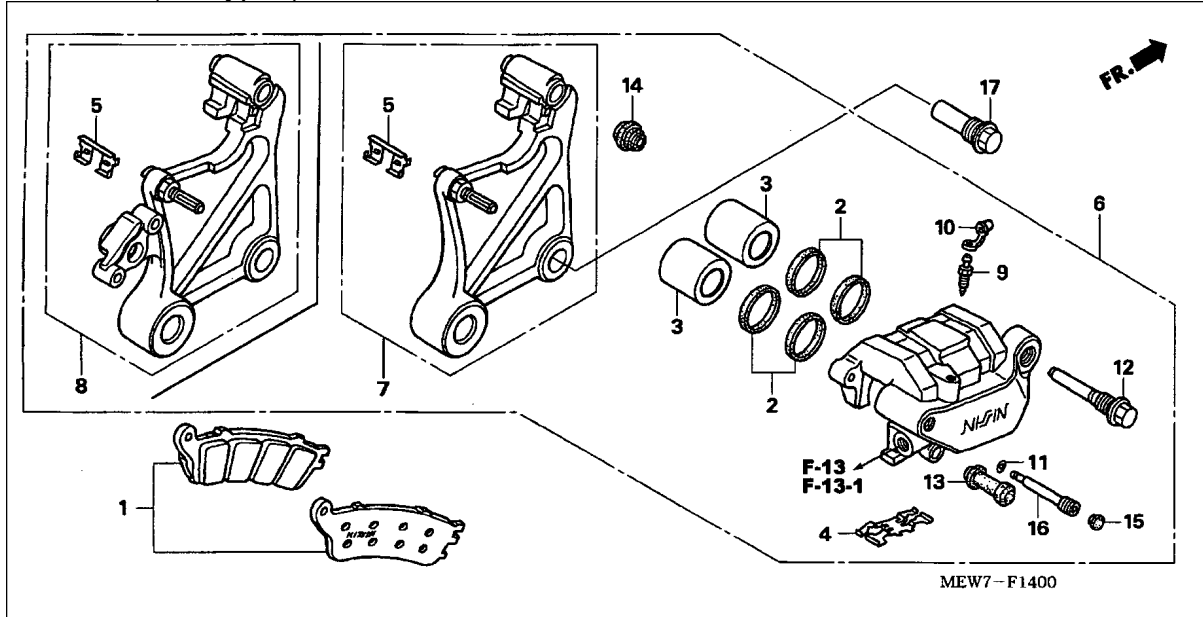
Ref. No.	L.O.N.	(Relative ref. Number) Description	F.R.T.
1	712180	HOSE A, REAR BRAKEINCLUDES: Bleed brakes	0.6
2	712180	HOSE A, REAR BRAKEINCLUDES: Bleed brakes	0.5
5	712125	CYLINDER, REAR BRAKE MASTER .. .INCLUDES: Bleed brakes	0.7
6	7121F6	CUP, REAR MASTER CYLINDER OIL	0.6
7	7121C2	HOSE, REAR MASTER CYLINDER OIL CUP	0.7
11	7121H0	PISTON SET, REAR BRAKE MASTER .INCLUDES: Bleed brakes	0.7
13	7121G7	DIAPHRAGM, REAR BRAKE MASTER CYLINDER	0.1

Ref No	Part No	Description	Qty
2	43310-MEW-921	HOSE COMP. A, RR. BRAKE	1
3	43503-MER-D01	CONNECTOR, MASTER CYLINDER	1
4	43504-MB2-006	BOOT COMP.	1
5	43510-MEW-922	CYLINDER SUB ASSY., RR. MASTER	1
6	43511-MA6-006	CUP, MASTER CYLINDER OIL	1
7	43512-MEW-921	HOSE COMP., RR. BRAKE MASTER CYLINDER	1
8	43513-MY1-006	CAP, OIL CUP	1
9	43514-KS6-701	CLAMP, MASTER CYLINDER OIL HOSE	1
10	43514-MN9-006	CLAMP, MASTER CYLINDER OIL HOSE	1
11	43520-MBL-D01	PISTON SET, RR. MASTER CYLINDER	1
12	43530-MBL-D01	ROD COMP., PUSH	1
13	45520-300-000	DIAPHRAGM	1
14	45521-MJ6-006	PLATE, DIAPHRAGM	1
15	46182-500-013	CIRCLIP	1
16	46504-KV6-702	JOINT, BRAKE ROD	1
17	90108-MJ1-000	BOLT, FLANGE, 6X25	1
18	90131-124-000	BOLT, FLANGE, 6X25	2
19	90145-MS9-612	BOLT, OIL, 10X22	1
20	90545-300-000	WASHER, OIL BOLT	2
21	90651-MBG-006	CIRCLIP, PISTON	1
22	91212-422-006	O-RING, 14.8X2.4	1
23	93893-04012-17	SCREW-WASHER, 4X12	1
24	94002-08000-0S	NUT, HEX., 8MM	1
25	94201-20150	PIN, SPLIT, 2.0X15	1
26	95015-54000	PIN D, JOINT	1
27	95701-06012-00	BOLT, FLANGE, 6X12	1



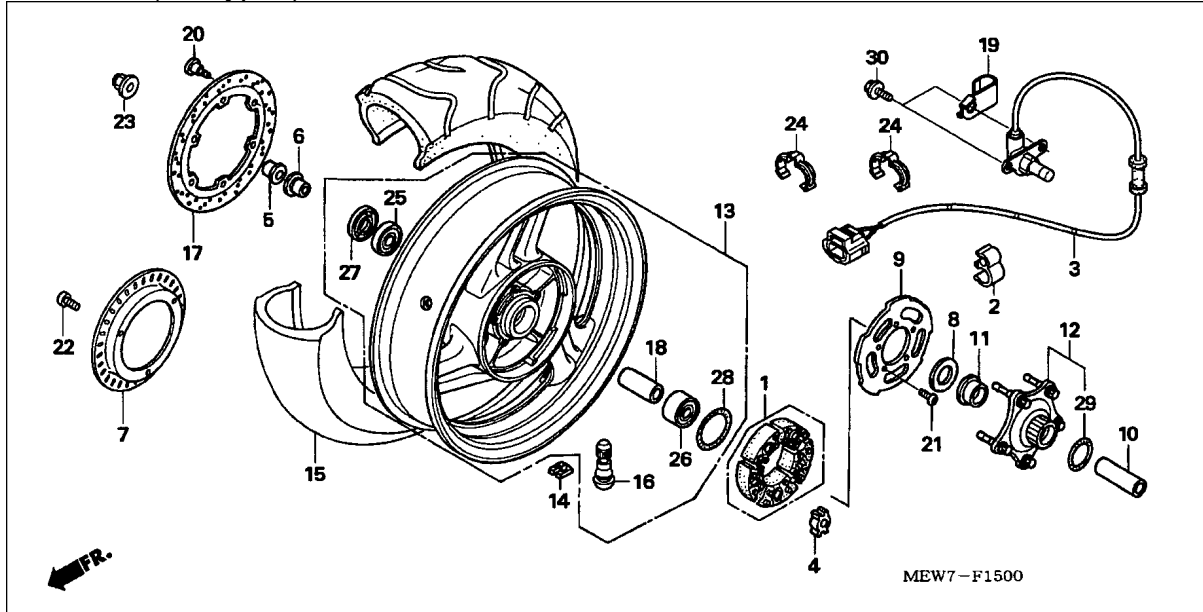
Ref. No.	L.O.N.	(Relative ref. Number) Description	F.R.T.
1	7121D8	PIPE B, REAR BRAKEINCLUDES: Bleed brakes	0.8
2	7121D9	PIPE C, REAR BRAKEINCLUDES: Bleed brakes	0.8
3	7121B1	HOSE C, REAR BRAKEINCLUDES: Bleed brakes	1.1
4	7121L0	PIPE A, FRONT BRAKE SUBINCLUDES: Bleed brakes	1.0
5	712191	HOSE A, FRONT BRAKE SUBINCLUDES: Bleed brakes	1.0
6	712192	HOSE B, FRONT BRAKE SUBINCLUDES: Bleed brakes	0.3
7	7121H2	VALVE, PROPORTIONING CONTROL . .INCLUDES: Bleed brakes	0.8

Ref No	Part No	Description	Qty
1	43312-MEW-920	PIPE B, RR. BRAKE	1
2	43313-MEW-920	PIPE C, RR. BRAKE	1
3	43315-MEW-921	HOSE COMP. C, RR. BRAKE	1
4	43320-MEW-920	SUB PIPE A, BRAKE	1
5	43321-MEW-921	SUB HOSE COMP. A, BRAKE	1
6	43322-MEW-921	SUB HOSE COMP. B, BRAKE	1
7	46400-MEW-921	VALVE ASSY., PROPORTIONING CONTROL	1
8	90006-PR0-000	BOLT, FLANGE, 6X42	2
9	90021-MZ1-000	BOLT, SPECIAL, 6X18	2
10	90101-MEW-920	BOLT, FLANGE, 6X21 (SH)	1
11	90145-MS9-612	BOLT, OIL, 10X22	4
12	90545-300-000	WASHER, OIL BOLT	8
13	90661-MEW-921	CLAMP, BRAKE PIPE (7.0X2)	2
14	96001-06018-07	BOLT, FLANGE, 6X18	1
15	96001-06020-07	BOLT, FLANGE, 6X20	1



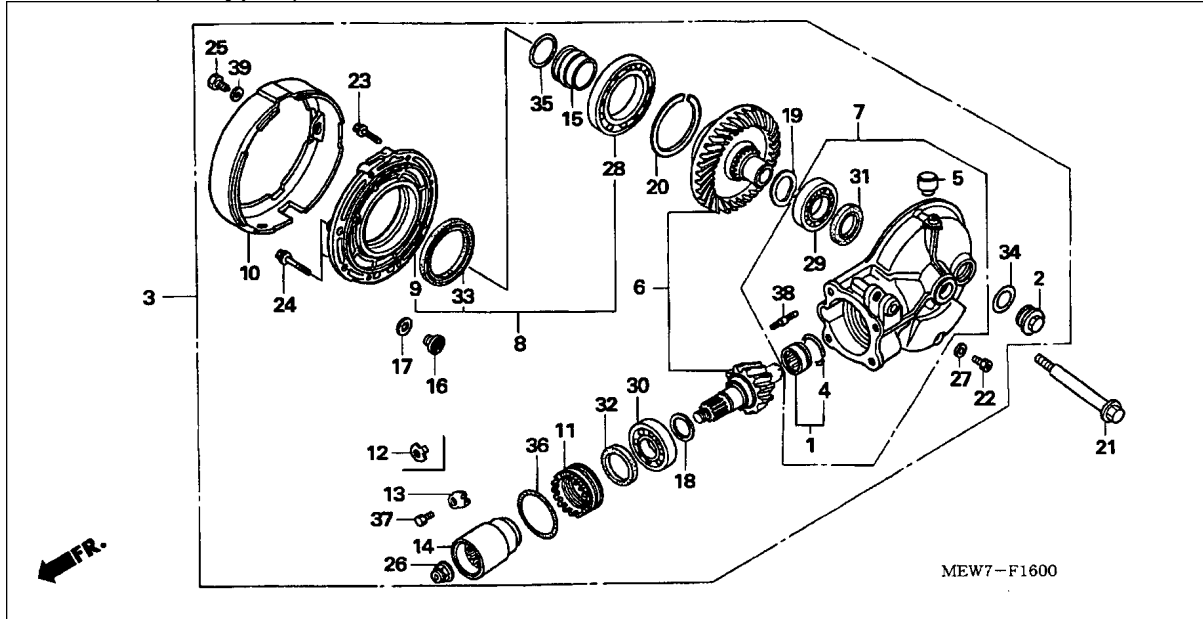
Ref. No.	L.O.N.	(Relative ref. Number) Description	F.R.T.
1	711140	SHOE(PAD) SET, BRAKE :REAR ...	0.2
3		(2)	
	7111D5	PISTON, REAR BRAKE CALIPER ...	1.2
		.INCLUDES: Bleed brakes	
		.NOTE: Same time for two units	
6	711155	CALIPER, REAR BRAKE	1.1
		.INCLUDES: Bleed brakes	
7		(8)	
	7111C1	BRACKET, REAR CALIPER	0.9

Ref No	Part No	Description	Qty
1	06435-MBL-D01	PAD SET, RR.	1
2	06451-MA7-405	SEAL SET, PISTON	2
3	43107-MA7-006	PISTON	2
4	43108-MAJ-G41	SPRING, PAD	1
5	43112-MAJ-G41	RETAINER, RR. BRACKET	1
6	43150-MBL-D01	CALIPER SUB ASSY., RR. BRAKE	1
7	43190-MBL-D01	BRACKET SUB ASSY., RR. CALIPER	1
9	43352-568-003	SCREW, BLEEDER (NISSIN)	1
10	43353-461-771	CAP, BLEEDER	1
11	45111-MAJ-G41	RING, STOPPER	1
12	45131-MZ2-006	PIN, BOLT	1
13	45132-166-016	BOOT, PIN BUSH (NISSIN)	1
14	45133-MA3-006	BOOT B	1
15	45203-MCC-006	PLUG, PIN	1
16	45215-MAJ-G41	PIN, HANGER	1
17	90158-MN5-000	BOLT, BRAKE STOPPER	1



Ref. No.	L.O.N.	(Relative ref. Number) Description	F.R.T.
1	710157	DAMPER, REAR WHEEL	1.2
3	617197	SENSOR, WHEEL SPEED :REAR	0.3
7	7101B1	RING, PULSER :REAR	1.1
10	7101B8	COLLAR B, AXLE DISTANCE :REAR	1.4
12	7101A4	FLANGE, FINAL DRIVEN	1.1
13	710118	REAR WHEEL	1.8
		.INCLUDES: Balance	
14	7101E1	WEIGHT, BALANCE :REAR	1.3
15	710142	REAR TIRE(ONE)	1.7
		.INCLUDES: Balance	
17	711145	DISC, REAR BRAKE	1.1
25		(18,26)	
	710133	BEARING, REAR WHEEL(ONE)	1.2
	710133G	.Replace 1 bearing add	0.1

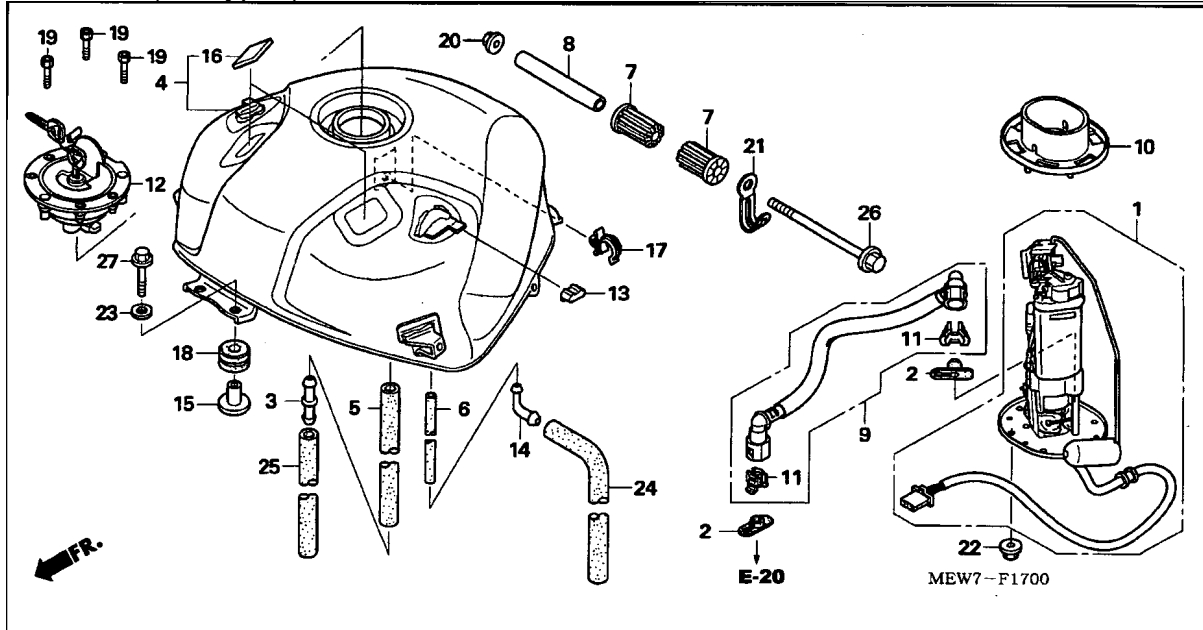
Ref No	Part No	Description	Qty
1	06410-MZ0-A00	DAMPER SET, WHEEL	1
4	41242-MR5-000	PIECE, DAMPER WHEEL	5
5	42311-MBL-610	COLLAR, RR. WHEEL SIDE	1
6	42313-MBL-610	COLLAR, RR. WHEEL SIDE	1
8	42616-MT3-000	WASHER, THRUST	1
9	42617-MT8-000	HOLDER, DAMPER	1
10	42625-MBL-D00	COLLAR B, RR. DISTANCE	1
11	42626-MBL-610	COLLAR A, RR. DISTANCE	1
12	42630-MAH-305	FLANGE SET, FINAL DRIVEN	1
13	42650-MEW-920	WHEEL SUB ASSY., RR.	1
14	42704-MER-D00	WEIGHT, BALANCE (10G)	N
14	42706-MER-D00	WEIGHT, BALANCE (30G)	N
14	42705-MER-D00	WEIGHT, BALANCE (20G)	N
15	42711-MBL-923	TIRE, RR. (BRIDGESTONE)(150/70ZR17 M/C 69W)	1
15	42711-MBL-614	TIRE, RR. (MICHELIN)(150/70ZR17 69W)	1
16	42753-KBS-901	VALVE, RIM (PIRELLI)	1
17	43251-MEW-921	DISK, RR. BRAKE	1
18	44620-MW6-610	COLLAR, FR. AXLE DISTANCE	1
20	90105-MBB-000	BOLT, BRAKE DISK, 8X24	6
21	90106-MBB-000	BOLT, DISK, 6X17	5
23	90306-MCH-003	NUT, FLANGE, 18MM	1
25	91052-MAE-004	BEARING, RADIAL BALL, 6204UU	1
26	91053-MN5-003	BEARING, RADIAL BALL, 20X47X20.6 (NTN)	1
27	91253-443-761	DUST SEAL, 30X47X8 (ARAI)	1
28	91302-MA6-003	O-RING, 61X2	1
29	91358-MB0-000	O-RING, 46.5X3.5	1



Ref. No.	L.O.N.	(Relative ref. Number) Description	F.R.T.
1	2131G8	BEARING, REAR PINION GEAR :REAR	2.5
3	2131B1	GEAR ASSY., FINAL DRIVEN	1.2
6	2131B4	GEAR SET, FINAL DRIVEN	3.0
7	213120	CASE, FINAL GEAR	2.7
8	2131B9	COVER SET, FINAL GEAR :REAR ..	1.7
9	2131M0	COVER, GEAR CASE	1.7
10	2131C0	PLATE, DUST GUARD	1.0
11	2131B0	RETAINER, FINAL DRIVEN GEAR BEARING	1.6
14	2131C1	JOINT, REAR PINION	1.4
18	2131C2	SHIM, PINION GEAR	1.9
20	2131C5	SHIM, RING GEAR	1.7
21	710160	AXLE, REAR WHEEL	1.0
28	2131E9	BEARING, REAR RING GEAR :RIGHT	1.7
	2131F2	BEARING, REAR RING GEAR :BOTH	1.9
29	2131E8	BEARING, REAR RING GEAR :LEFT	1.6
	2131F2	BEARING, REAR RING GEAR :BOTH	1.9
30	2131A1	BEARING, REAR PINION GEAR :FRONT	1.9
31	2131F6	OIL SEAL, REAR FINAL GEAR :LEFT	1.6
	2131F8	OIL SEAL, REAR FINAL GEAR :BOTH	1.9
32	2131G7	OIL SEAL, PINION GEAR :REAR ..	1.5

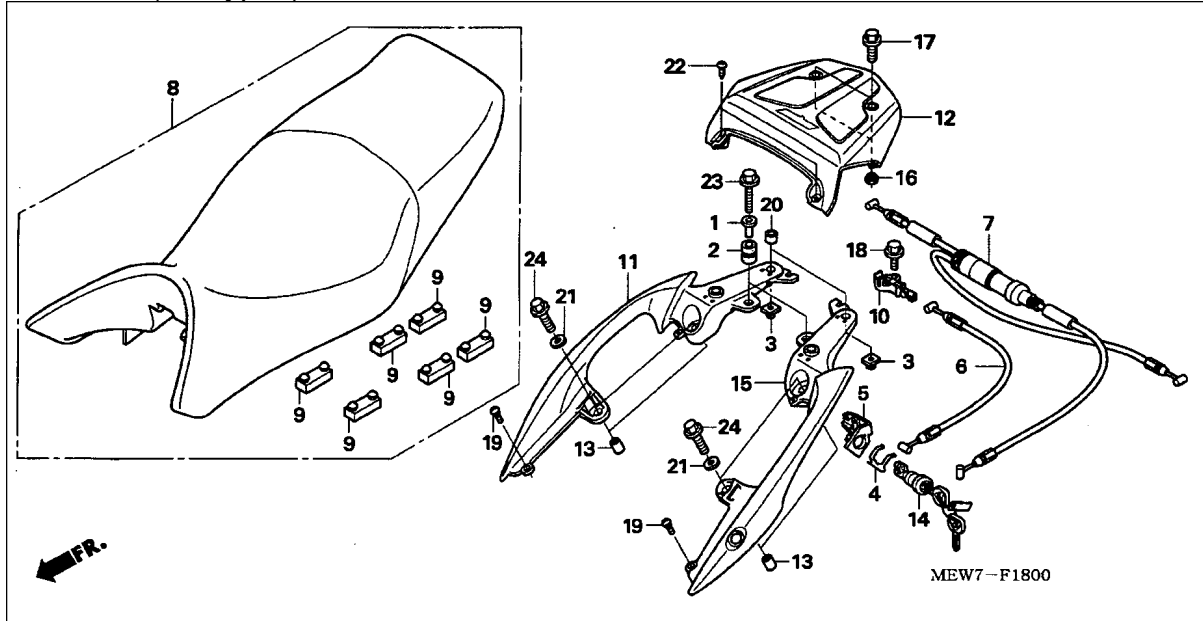
Ref No	Part No	Description	Qty
1	06910-MBL-610	BEARING SET, NEEDLE	1
2	12361-035-000	CAP, TAPPET ADJUSTING HOLE	1
3	41300-MBL-612	GEAR ASSY., FINAL	1
4	41305-MB4-770	RING, STOPPER	1
5	41306-MB0-020	CAP, BREATHER	1
6	41310-MM8-305	GEAR SET, FINAL	1
7	41311-MBL-611	CASE SET, FINAL	1
8	41320-MBL-611	COVER SUB ASSY., FINAL GEAR	1
9	41321-ME5-771	COVER, GEAR CASE	1
10	41324-MBL-610	PLATE, DUST GUARD	1
11	41331-ME9-010	RETAINER, BEARING	1
12	41332-415-000	LOCK A, BEARING ADJUSTING (SINGLE TAB)	1
13	41333-415-000	LOCK B, BEARING ADJUSTING (DOUBLE TABS)	1
14	41410-ME9-770	JOINT, PINION	1
15	41433-MB0-010	HOLDER, O-RING	1
16	41436-MB0-310	PIN, RING GEAR STOPPER	1
17	41438-MB0-310	SHIM B, STOPPER PIN (0.15)	1
17	41437-MB0-310	SHIM A, STOPPER PIN (0.10)	1
18	41451-MG8-000	SHIM B, PINION GEAR (1.88)	1
18	41452-MG8-000	SHIM C, PINION GEAR (1.94)	1

Ref No	Part No	Description	Qty
18	41453-MG8-000	SHIM D, PINION GEAR (2.00)	1
18	41454-MG8-000	SHIM E, PINION GEAR (2.06)	1
18	41455-MG8-000	SHIM F, PINION GEAR (2.12)	1
18	41456-MG8-000	SHIM G, PINION GEAR (2.18)	1
18	41450-MG8-000	SHIM A, PINION GEAR (1.82)	1
19	41510-MB0-003	WASHER, SPECIAL, 35X40	1
20	41530-MB0-000	SPACER A, RING GEAR (1.82)	1
20	41534-MB0-000	SPACER E, RING GEAR (2.06)	1
20	41531-MB0-000	SPACER B, RING GEAR (1.88)	1
20	41532-MB0-000	SPACER C, RING GEAR (1.94)	1
20	41535-MB0-000	SPACER F, RING GEAR (2.12)	1
20	41533-MB0-000	SPACER D, RING GEAR (2.00)	1
20	41536-MB0-000	SPACER G, RING GEAR (2.18)	1
20	41537-MB0-000	SPACER H, RING GEAR (2.24)	1
20	41538-MB0-000	SPACER I, RING GEAR (2.30)	1
21	42301-MBL-610	AXLE, RR. WHEEL	1
22	90109-ME5-770	BOLT, SOCKET, 8X11	1
23	90133-MB0-000	BOLT, FLANGE, 8X27	6
24	90134-HA0-000	BOLT, FLANGE, 10X35	2
25	90170-MB0-000	BOLT, HEX., 6X16	1
26	90381-MB0-010	NUT, HEX., 16MM	1
27	90471-580-000	PACKING, 8MM	1
28	91051-MG8-005	BEARING, RADIAL BALL, 16012C3	1
29	91052-MG8-005	BEARING, RADIAL BALL, 57/34C3	1
30	91061-MG8-005	BEARING, RADIAL BALL, 6305 (KOYO)	1
31	91261-MB0-003	OIL SEAL, 34X50X7 (ARAI)	1
31	91261-MB0-005	OIL SEAL, 34X50X7 (NOK)	1
32	91262-ME9-005	OIL SEAL, 39X51X7 (NOK)	1
32	91262-ME9-003	OIL SEAL, 39X51X7 (ARAI)	1
33	91265-MB0-003	OIL SEAL, 60X80X8 (ARAI)	1
33	91265-MB0-000	OIL SEAL, 60X80X8	1
34	91302-001-020	O-RING, 30.8MM	1
35	91356-MB0-005	O-RING, 35.2X2.4 (NOK)	1
35	91356-MB0-000	O-RING, 35.2X2.4	1
36	91359-MB0-000	O-RING, 58.5X3.5	1
37	92101-06012-0A	BOLT, HEX., 6X12	1
38	92900-10032-0E	BOLT, STUD, 10X32	4
39	94101-06800	WASHER, PLAIN, 6MM	1



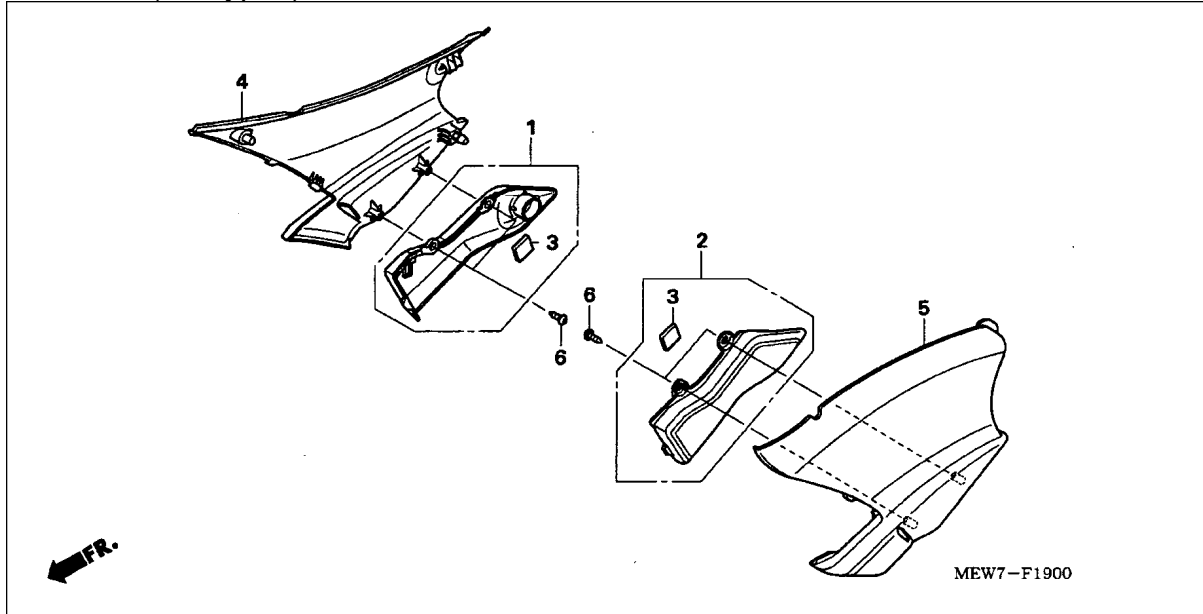
Ref. No.	L.O.N.	(Relative ref. Number) Description	F.R.T.
1	310120	PUMP ASSY., FUEL	0.8
4	310100	TANK, FUEL	0.9
9	310162	HOSE, FUEL FEED	0.8
10	3101A1	PACKING, FUEL PUMP	0.8
12	3101C1	LOCKING FUEL TANK CAP	0.1

Ref No	Part No	Description	Qty
1	16700-MEW-921	PUMP ASSY., FUEL	1
2	16719-MEW-920	DAMPER, CONNECTOR	2
3	17359-419-670	JOINT, BREATHER TUBE	1
4	17500-MEW-920ZA	TANK SET, FUEL *NH138* SHASTA WHITE	1
4	17500-MEW-920ZH	TANK SET, FUEL *NH229MU* ANCHOR GRAY METALLIC-U	1
4	17500-MEW-920ZG	TANK SET, FUEL *YR264M* DUSK BEIGE METALLIC	1
4	17500-MEW-920ZE	TANK SET, FUEL *B183M* PETROL BLUE METALLIC	1
4	17500-MEW-920ZF	TANK SET, FUEL *NHA65P* PEARL CONCOURSE BLACK	1
5	17543-MEW-920	TUBE, DRAIN	1
6	17544-MEW-920	TUBE, BREATHER	1
7	17548-MEW-920	CUSHION, FUEL TANK RR. PIVOT	2
8	17549-MEW-920	COLLAR, TANK SETTING	1
9	17570-MEW-921	HOSE COMP., FUEL FEED	1
10	17574-MEE-000	PACKING, BASE	1
11	17585-MEW-920	RETAINER	2
12	17620-MAS-E02	CAP COMP., FUEL FILLER	1
13	18293-MN0-000	RUBBER, PROTECTOR	2
14	19103-ML7-000	JOINT, TUBE	1
15	61104-422-000	COLLAR, SETTING	2
16	64243-MEW-920	FASTENER B, DUAL LOCK, 20X20	2
17	80106-GCF-670	HOLDER, ROD (A)	1
18	84703-KC1-000	RUBBER, TAILLIGHT MOUNTING	2
19	90074-MT4-000	BOLT, SOCKET, 4X21	3
20	90301-473-003	NUT, U, 6MM	1
21	91410-679-000	CLIP, 2X60	1
22	94050-06080	NUT, FLANGE, 6MM	6
23	94103-06700	WASHER, PLAIN, 6MM	2
24	95005-80530-20	TUBE, 8X530 (95005-80001-20M)	1
25	95005-80530-50	TUBE, 8X530 (95005-80001-50M)	1
26	95701-06120-08	BOLT, FLANGE, 6X120	1
27	96001-06035-07	BOLT, FLANGE, 6X35	2



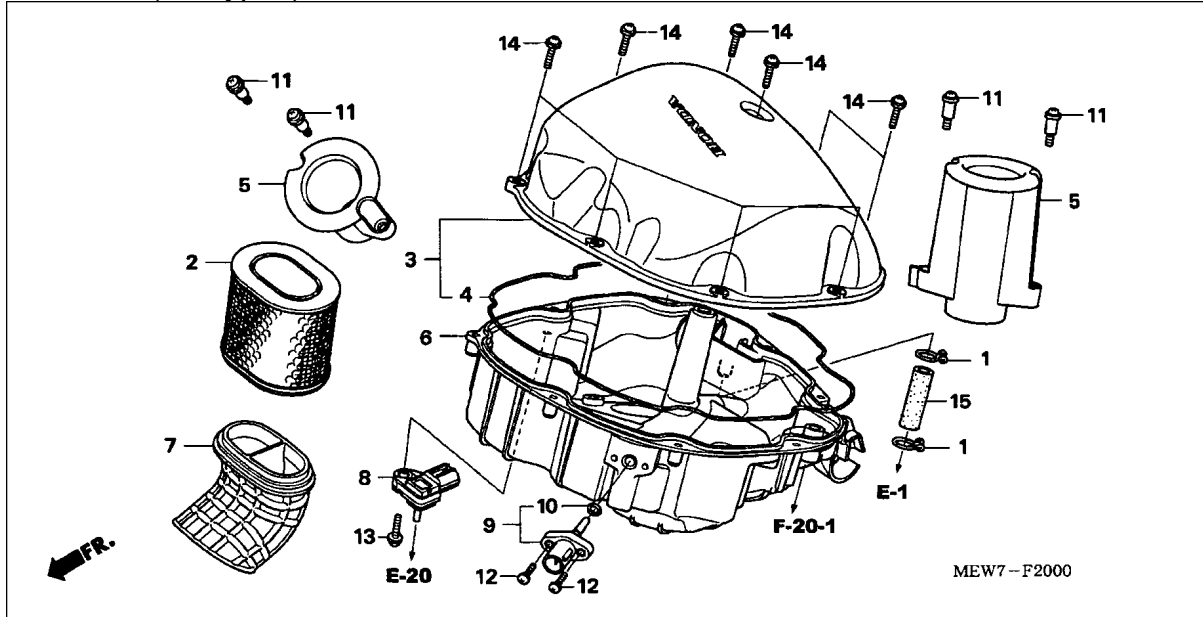
Ref. No.	L.O.N.	(Relative ref. Number) Description	F.R.T.
6	811175	CABLE, SEAT LOCK	0.5
7	811170	CABLE(S), SADDLEBAG OPENER ...	0.4
8	4131E4	SEAT :DOUBLE	0.1
10	4131N5	HOOK, SEAT CATCH	0.1
11	4131F4	RAIL, GRAB :RIGHT	0.2
	4131F5	RAIL, GRAB :BOTH	0.3
12	4131J8	COVER, REAR CENTER	0.1
14	4131F2	KEY, SEAT LOCK	0.2
15	4131F3	RAIL, GRAB :LEFT	0.2
	4131F5	RAIL, GRAB :BOTH	0.3

Ref No	Part No	Description	Qty
1	33798-MEW-920	COLLAR, TAILLIGHT MOUNTING	2
2	33799-MEW-920	RUBBER, TAILLIGHT MOUNTING	2
3	61304-165-013	NUT, HEADLIGHT SETTING	2
4	75581-GN8-920	SPRING, LOCK KEY SETTING	1
5	77125-MEW-920	STAY COMP., SADDLEBAG LOCK CABLE	1
6	77155-MEW-921	CABLE, SEAT LOCK	1
7	77157-MEW-921	CABLE COMP., SADDLEBAG LOCK	1
8	77200-MEW-920	SEAT COMP., DOUBLE	1
9	77205-286-000	RUBBER B, SEAT SETTING	6
10	77220-KY6-010	HOOK, SEAT CATCH	1
11	77310-MEW-920ZB	RAIL, R. GRAB *NHA70M* FLINT GRAY METALLIC	1
12	77313-MEW-920	COVER, CENTRE GRAB RAIL	1
13	77316-MEW-920	COLLAR, GRAB RAIL MOUNT	4
14	77400-MEW-921	KEY, SADDLEBAG LID	1
15	77410-MEW-920ZB	RAIL, L. GRAB *NHA70M* FLINT GRAY METALLIC	1
16	80151-KGB-610	COLLAR, RR. GARNISH	2
17	90100-MEW-920	BOLT, FLANGE, 8X22 (SH)	2
18	90112-GW3-000	BOLT, FLANGE, 6X14	1
19	90115-KW7-900	SCREW, VISOR SPECIAL SETTING	2
20	90324-303-000	COLLAR, RR. WINKER MOUNTING	2
21	90538-706-000	WASHER, 8MM	4
22	93903-24380	SCREW, TAPPING, 4X12	2
23	95701-06038-00	BOLT, FLANGE, 6X38	2
24	96300-08030-00	BOLT, FLANGE, 8X30	4



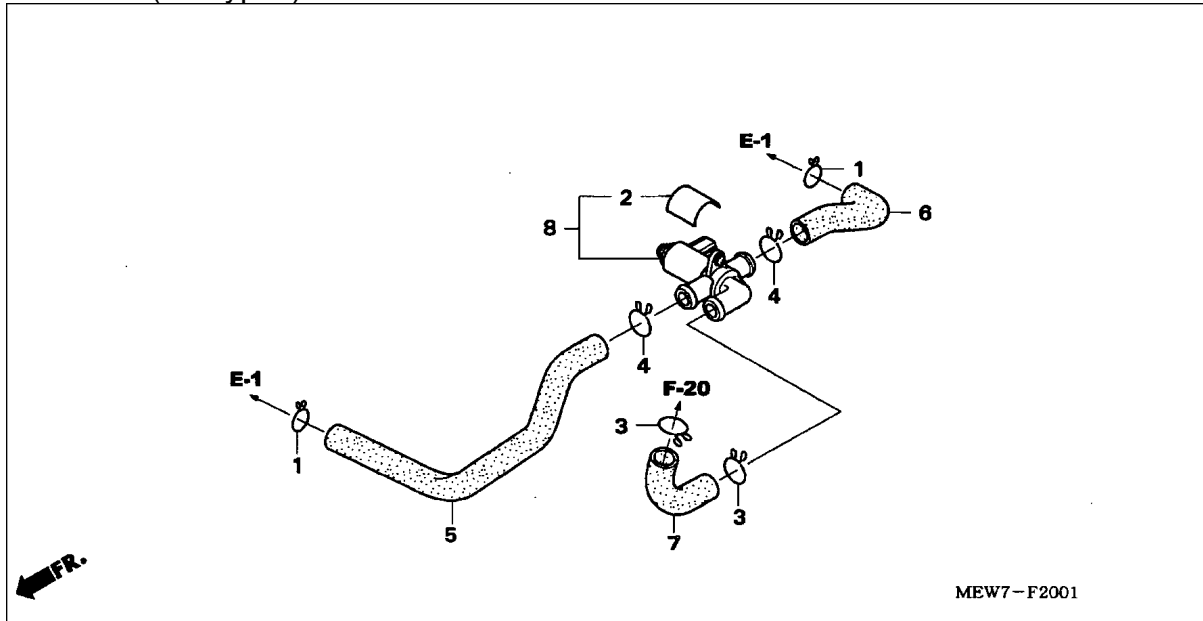
Ref. No.	L.O.N.	(Relative ref. Number) Description	F.R.T.
4		(1)	
	4111H9	COVER, SIDE :RIGHT	0.1
		.NOTE: Same time for two units	
	4111J0	COVER, SIDE :BOTH	0.2
5		(2)	
	4111H8	COVER, SIDE :LEFT	0.1
		.NOTE: Same time for two units	
	4111J0	COVER, SIDE :BOTH	0.2

Ref No	Part No	Description	Qty
1	50255-MEW-920	COVER, R. PIVOT PLATE	1
2	50265-MEW-920	COVER, L. PIVOT PLATE	1
3	64243-MEW-920	FASTENER B, DUAL LOCK, 20X20	2
4	83611-MEW-920	COVER, R. SIDE	1
5	83711-MEW-920	COVER, L. SIDE	1
6	93903-24380	SCREW, TAPPING, 4X12	4



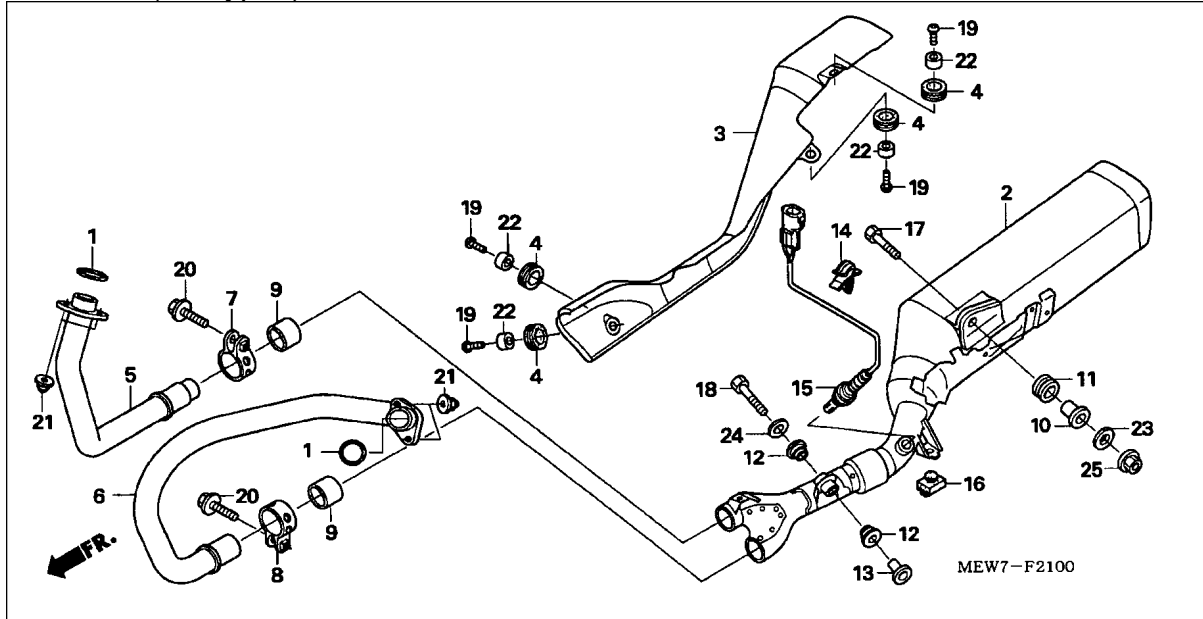
Ref. No.	L.O.N.	(Relative ref. Number) Description	F.R.T.
2	312105	ELEMENT, AIR CLEANER	0.5
3	312102	COVER, AIR CLEANER CASE	0.6
5	312127	FUNNEL, AIR	0.6
.NOTE: Same time for two units			
6	3121A5	CASE, AIR CLEANER	0.8
7	312125	DUCT, AIR CLEANER	0.7
8	617116	SENSOR, MAP	0.7
9	617120	SENSOR, AIR TEMP	0.5

Ref No	Part No	Description	Qty
1	15772-GB5-670	CLIP B20, DRAIN TUBE	2
2	17210-MEW-920	ELEMENT, AIR CLEANER	1
3	17220-MEW-920	COVER, AIR CLEANER	1
4	17221-MEW-920	SEAL A, AIR CLEANER COVER	1
5	17225-MEW-920	FUNNEL, AIR	2
6	17230-MEW-920	CASE, AIR CLEANER	1
7	17253-MEW-920	DUCT, AIR CLEANER	1
8	37830-MEL-003	SENSOR ASSY., MAP	1
9	37880-P05-A00	SENSOR ASSY., AIR TEMP	1
10	91303-PK2-005	O-RING, 7.5X1.5	1
11	91508-MEW-920	SCREW, PAN, 5MM	4
12	93901-25320	SCREW, TAPPING, 5X16	2
13	93901-25420	SCREW, TAPPING, 5X20	1
14	93903-25480	SCREW, TAPPING, 5X20	9
15	95005-14040-20	TUBE, 14X40 (95005-14001-20M)	1



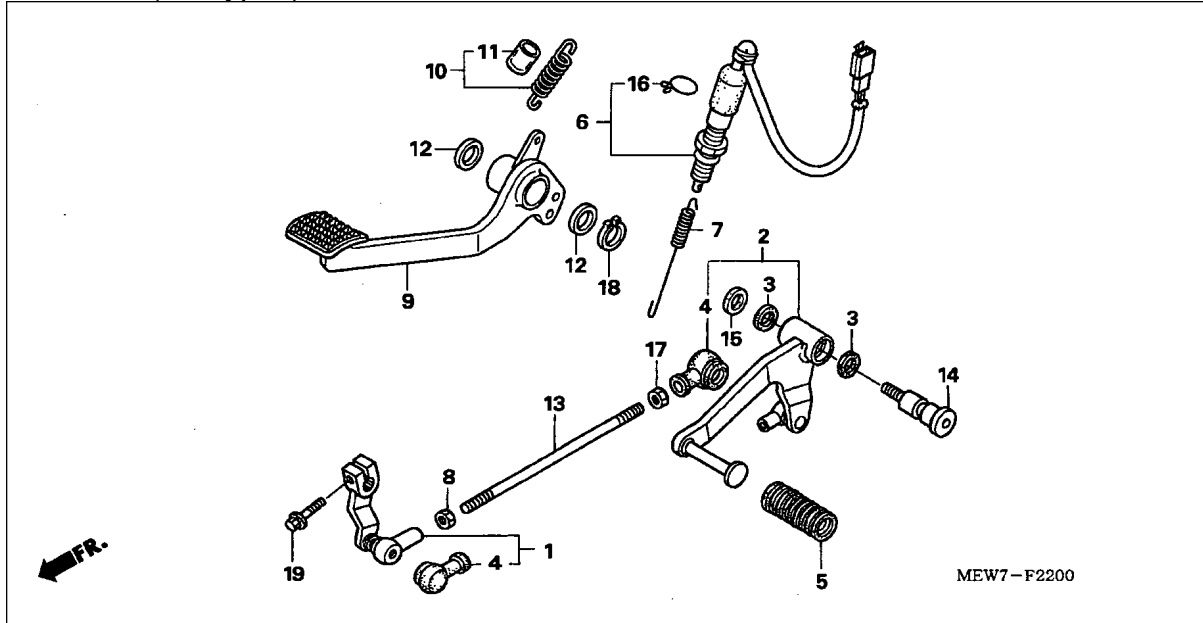
Ref. No.	L.O.N. (Relative ref. Number)	Description	F.R.T.
8	314130	VALVE, SECONDARY AIR CONTROL	0.7

Ref No	Part No	Description	Qty
1	17316-611-000	CLIP, BREATHER TUBE	2
2	17506-GCS-300	TAPE, TANK GUARD	1
3	17554-MB0-000	CLIP, BREATHER TUBE	2
4	17724-102-700	CLIP, SUB TANK HOSE	2
5	18651-MEW-920	TUBE A (AI)	1
6	18652-MEW-920	TUBE B (AI)	1
7	18653-MEW-920	TUBE C (AI)	1
8	36450-MEW-921	VALVE ASSY. (EX.-AI)	1



Ref. No.	L.O.N.	(Relative ref. Number) Description	F.R.T.
2	313120	MUFFLER	0.7
3	411167	COVER, EXHAUST MUFFLER	0.1
5		(1) 3131E2 PIPE, EXHAUST :FRONT	0.5
		3131E3 PIPE, EXHAUST :BOTH	1.3
6		(1) 3131D7 PIPE, EXHAUST :REAR	1.3
		3131E3 PIPE, EXHAUST :BOTH	1.3
15	617121	SENSOR, OXYGEN	0.2

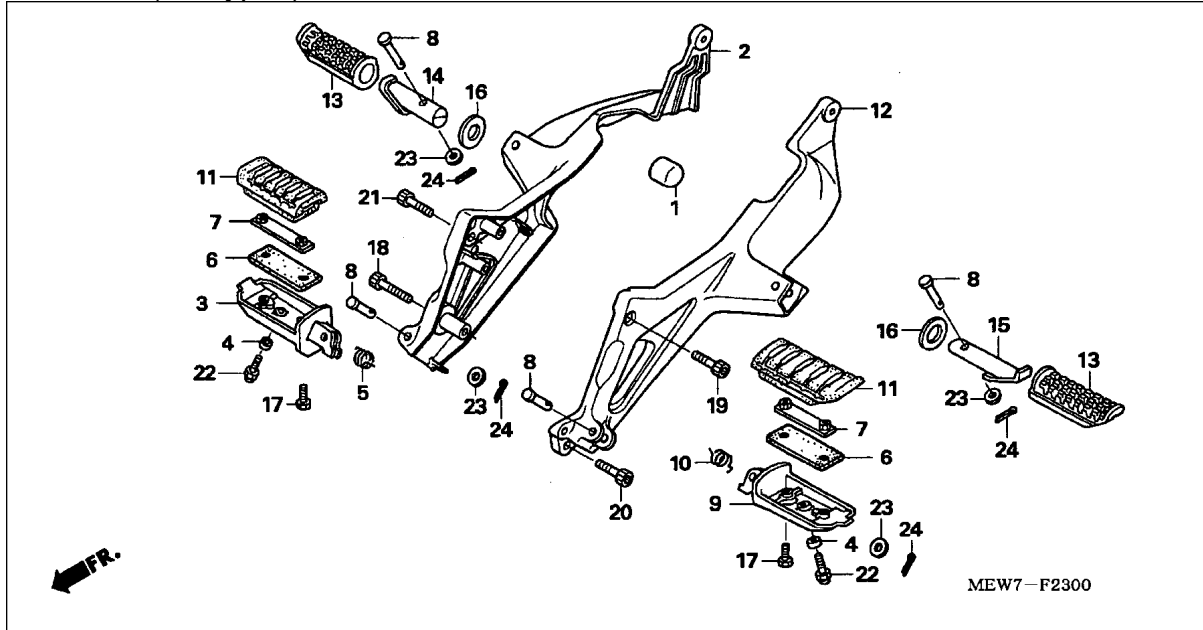
Ref No	Part No	Description	Qty
1	18291-MN4-920	GASKET, EX. PIPE	2
2	18300-MEW-920	MUFFLER COMP.	1
3	18315-MEW-920	COVER, MUFFLER	1
4	18316-KFT-620	RUBBER, PROTECTOR	4
5	18320-MEW-920	PIPE COMP., FR. EX.	1
6	18370-MEW-920	PIPE COMP., RR. EX.	1
7	18373-ML0-000	BAND, R. EX. PIPE	1
8	18374-ML0-000	BAND, L. EX. PIPE	1
9	18391-MN5-650	PACKING, MUFFLER	2
10	18396-MEW-920	COLLAR, MUFFLER SETTING	1
11	18397-MEW-920	RUBBER, MUFFLER SETTING	1
12	18421-MBL-D00	RUBBER, MUFFLER MOUNTING	2
13	18422-MBL-610	COLLAR, MUFFLER MOUNTING	1
14	32171-GJ1-003	CLIP, WIRE HARNESS	1
15	36531-MEW-921	SENSOR, OXYGEN (2-4)	1
16	50505-MCS-760	RUBBER, STAND STOPPER	1
17	90112-MW3-600	BOLT, SOCKET, 8X35	1
18	90116-KY1-000	BOLT, SOCKET, 8X45	1
19	90118-MR1-000	SCREW, PAN, 6X14	4
20	90161-ML7-000	BOLT, FLANGE, 8X35	2
21	90208-438-000	NUT, CAP, 8MM	4
22	90325-197-000	COLLAR, RR. MUDGUARD	4
23	90501-819-000	WASHER, 8MM	1
24	90504-MA6-000	WASHER, 8.5X26	1
25	94050-08000	NUT, FLANGE, 8MM	1



MEW7-F2200

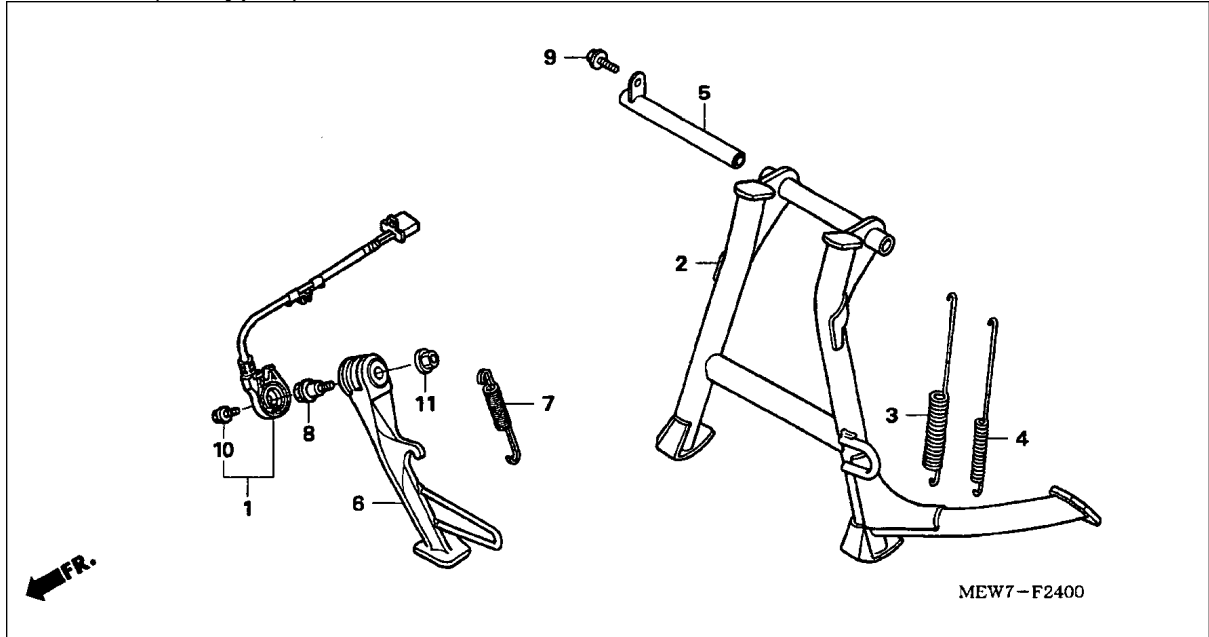
Ref. No.	L.O.N.	(Relative ref. Number) Description	F.R.T.
1	4101A2	ARM, GEAR CHANGE	0.2
2	4101A1	PEDAL, GEAR CHANGE	0.1
6	6151B5	SWITCH, REAR STOP :PEDAL SIDE	0.4
9	810160	PEDAL, REAR BRAKE	0.4
13	5101B5	ROD, CHANGE	0.1

Ref No	Part No	Description	Qty
1	24702-MEW-920	ARM COMP., CHANGE	1
2	24705-MBL-D60	PEDAL COMP., CHANGE	1
3	24706-MK3-770	RUBBER, DUST SEAL	2
4	24724-422-000	COVER, DUST	2
5	24781-449-000	RUBBER, GEAR CHANGE	1
6	35350-MEW-920	SWITCH ASSY., RR. STOP	1
7	35357-KN6-960	SPRING, STOP SWITCH	1
8	45423-KA4-700	NUT, HEX., 6MM	1
9	46500-MEW-920	PEDAL, RR. BRAKE	1
10	46511-KZ4-J00	SPRING ASSY., RR. BRAKE RETURN	1
11	46515-MN1-670	TUBE, BRAKE PEDAL SPRING	1
12	50715-KE8-000	PLATE, PILLION STEP SIDE	2
13	90065-MEW-920	BOLT, TIE ROD	1
14	90115-KAF-000	BOLT, CHANGE PIVOT	1
15	90526-GB0-930	WASHER, 8.5X20	1
16	90601-KAF-003	CLIP, SWITCH COVER	1
17	94001-06000-0S	NUT, HEX., 6MM	1
18	94511-19000	CIRCLIP, EXTERNAL, 19MM	1
19	96300-06022-00	BOLT, FLANGE, 6X22	1



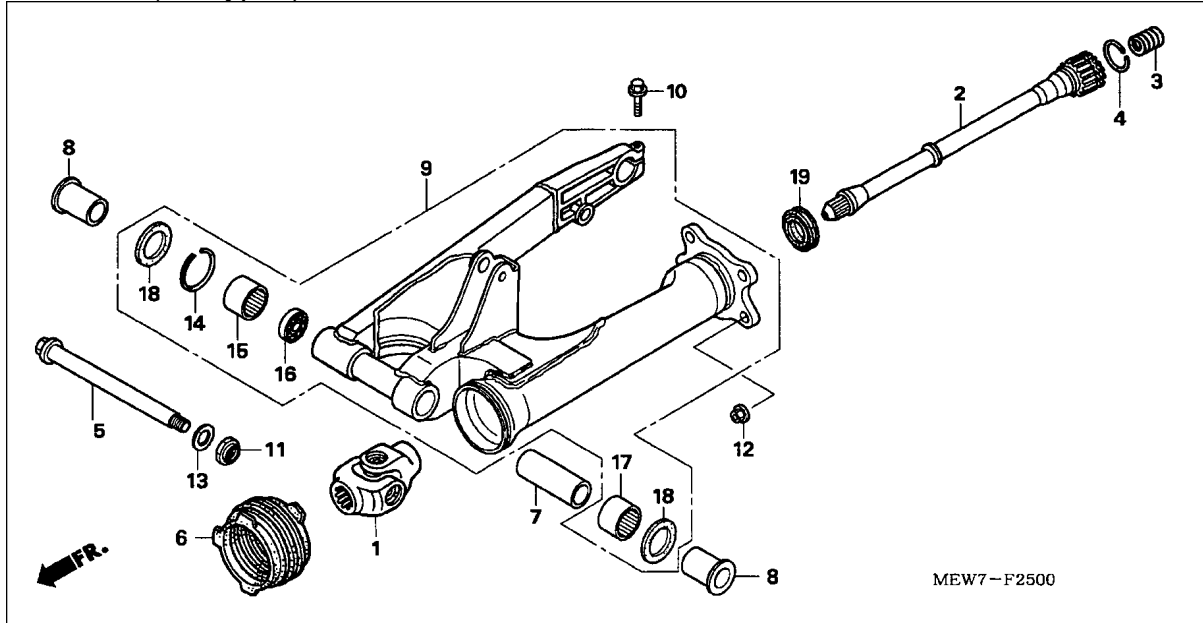
Ref. No.	L.O.N.	(Relative ref. Number) Description	F.R.T.
2	4101N2	HOLDER, STEP :RIGHT	1.0
	4101N6	HOLDER, STEP :BOTH	1.3
3	4101C6	BAR, MAIN STEP :RIGHT	0.1
	4101J1	BAR, MAIN STEP :BOTH	0.2
9	4101C5	BAR, MAIN STEP :LEFT	0.1
	4101J1	BAR, MAIN STEP :BOTH	0.2
12	4101N1	HOLDER, STEP :LEFT	0.3
	4101N6	HOLDER, STEP :BOTH	1.3
14	4101C8	BAR, PILLION STEP :RIGHT	0.2
	4101P4	BAR, PILLION STEP :BOTH	0.3
15	4101C7	BAR, PILLION STEP :LEFT	0.1
	4101P4	BAR, PILLION STEP :BOTH	0.3

Ref No	Part No	Description	Qty
1	17611-GF8-000	CUSHION, FUEL TANK (A)	1
2	50600-MEW-920	HOLDER, R. STEP	1
3	50612-MT3-000	ARM, R. STEP	1
4	50615-MEW-920	COLLAR, STEP LOWER	2
5	50617-MBL-610	SPRING, R. STEP RETURN	1
6	50618-MBL-610	RUBBER	2
7	50619-MBL-610	PLATE, STEP SETTING	2
8	50639-ML0-010	PIN, STEP BAR	4
9	50642-MT3-000	ARM, L. STEP	1
10	50644-MBL-610	SPRING, L. STEP RETURN	1
11	50661-MT3-000	RUBBER, STEP	2
12	50700-MEW-920	HOLDER, L. STEP	1
13	50710-KET-600	RUBBER, PILLION STEP	2
14	50711-MEW-920	BAR, R. PILLION STEP	1
15	50712-MEW-920	BAR, L. PILLION STEP	1
16	50715-MEW-920	PLATE, PILLION STEP SIDE	2
17	90115-MT3-000	BOLT, MAIN STEP RUBBER SETTING	4
18	90156-MBL-610	BOLT, SOCKET, 8X55	1
19	90156-MCW-D00	BOLT, SOCKET, 8X32	1
20	90157-MB1-000	BOLT, SOCKET, 8X18	1
21	90157-ME9-000	BOLT, SOCKET, 8X22	1
22	92501-08025-0A	BOLT, CAP, 8X25	2
23	94102-08000	WASHER, PLAIN, 8MM	4
24	94201-20150	PIN, SPLIT, 2.0X15	4



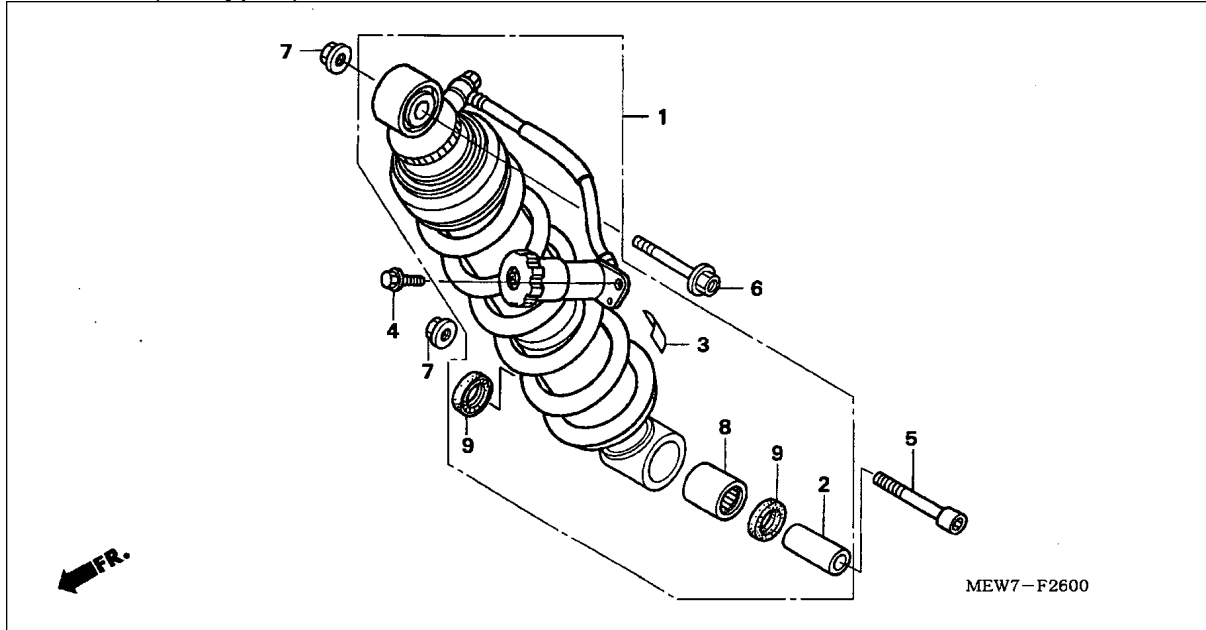
Ref. No.	L.O.N.	(Relative ref. Number) Description	F.R.T.
1	615195	SWITCH, SIDE STAND	0.2
2	410175	STAND, MAIN	0.9
6	410180	BAR, SIDE STAND	0.2
7	410182	SPRING, SIDE STAND	0.1

Ref No	Part No	Description	Qty
1	35700-MBL-305	SWITCH SET, SIDE STAND	1
2	50500-MEW-920	STAND COMP., MAIN	1
3	50501-MBL-610	SPRING, MAIN STAND	1
4	50502-MBL-610	SUB SPRING, MAIN STAND	1
5	50526-MEW-920	PIPE, MAIN STAND PIVOT	1
6	50530-MEW-920	BAR COMP., SIDE STAND	1
7	50541-MEW-920	SPRING, SIDE STAND	1
8	90108-MK6-670	BOLT, SIDE STAND PIVOT	1
9	90112-GW3-000	BOLT, FLANGE, 6X14	1
10	90147-MCE-950	BOLT, SPECIAL, 6X16	1
11	90203-MF9-710	NUT, SIDE STAND	1



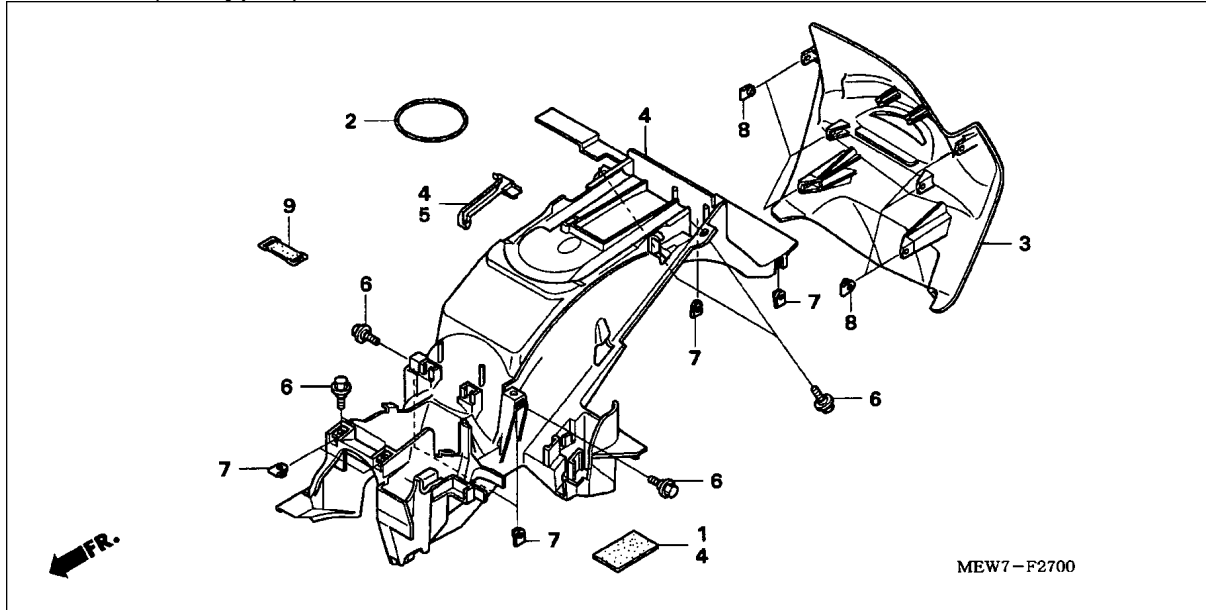
Ref. No.	L.O.N.	(Relative ref. Number) Description	F.R.T.
1	213115	JOINT, YOKE	2.1
2	2131A5	SHAFT, PROPELLER	1.2
6	2131E7	BOOT, REAR PROPELLER SHAFT JOINT	2.1
7	5121H5	COLLAR, SWINGARM	2.1
9	5121B0	SWINGARM ASSEMBLY	2.2
15	5121C9	BEARING, SWINGARM PIVOT :RIGHT	2.7
		.NOTE: Same time for two units	
	5121D0	BEARING, SWINGARM PIVOT :BOTH	2.7
17	5121C8	BEARING, SWINGARM PIVOT :LEFT	2.4
	5121D0	BEARING, SWINGARM PIVOT :BOTH	2.7
19	2131G9	OIL SEAL, PROPELLER SHAFT	1.2

Ref No	Part No	Description	Qty
1	40200-MR6-671	JOINT COMP., YOKE	1
2	40201-MBL-610	SHAFT, PROPELLER	1
3	40215-ME9-003	SPRING, PROPELLER SHAFT	1
4	40221-MB0-000	RING, STOPPER	1
5	52101-MEW-920	BOLT, SWINGARM PIVOT	1
6	52104-MEW-920	BOOT, JOINT	1
7	52141-MEW-920	COLLAR, CENTRE PIVOT DISTANCE	1
8	52142-MEW-920	COLLAR, PIVOT DISTANCE	2
9	52200-MEW-920	SWINGARM SUB ASSY., RR.	1
10	90105-GM9-740	BOLT, FLANGE, 8X32	1
11	90306-MCS-G00	NUT, U, 18MM	1
12	90308-357-000	NUT, HEX., 10MM	4
13	90432-MCS-G00	WASHER, SPECIAL, 18MM	1
14	90651-MEW-920	CIRCLIP, INTERNAL (37)	1
15	91071-MBW-E11	BEARING, NEEDLE	1
16	91071-MEW-921	BEARING, BALL RADIAL, 20X37X9	1
17	91071-MR7-003	BEARING, NEEDLE	1
18	91202-MR7-003	DUST SEAL, 28X37X4	2
19	91261-ME9-005	OIL SEAL, 27X43X7	1



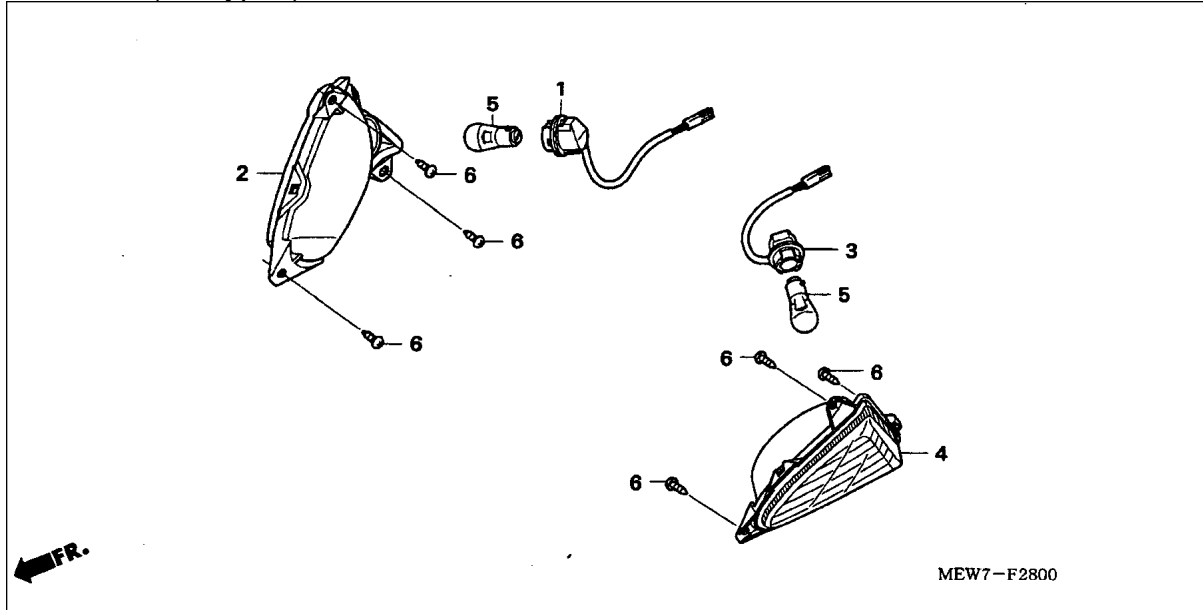
Ref. No.	L.O.N.	(Relative ref. Number) Description	F.R.T.
1	512115	CUSHION ASSY., REAR	1.0
8	5121D1	BEARING, REAR CUSHION	1.1

Ref No	Part No	Description	Qty
1	52400-MEW-922	CUSHION ASSY., RR.	1
2	52463-MAL-G00	COLLAR, CUSHION CONNECTING ROD	1
3	87516-MER-D01	LABEL, RR. DAMPER	1
4	90106-KK7-700	BOLT, FLANGE, 8X16	1
5	90107-MBL-610	BOLT, SOCKET, 10X57	1
6	90154-HA8-000	BOLT, FLANGE, 10X52	1
7	90304-GE8-003	NUT, U, 10MM	2
8	91071-KV3-005	BEARING, NEEDLE (KOYO)	1
9	91262-KV3-831	DUST SEAL, 17X24X5 (ARAI)	2



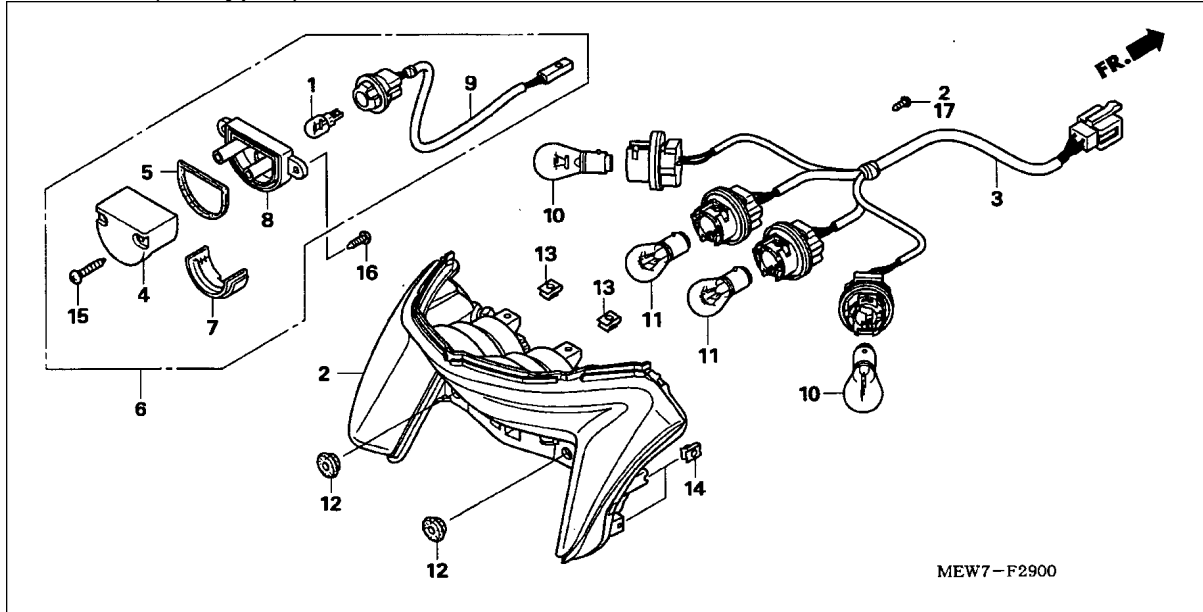
Ref. No.	L.O.N.	(Relative ref. Number) Description	F.R.T.
3	413105	FENDER A, REAR	0.2
4	413110	FENDER B, REAR	2.1
	413110A	.ABS add	0.7

Ref No	Part No	Description	Qty
1	31511-KCZ-J60	RUBBER, BATTERY CUSHION	1
2	50290-MBL-610	BAND, U-LOCK	1
3	80100-MEW-920	FENDER SET A, RR. (WL)	1
4	80104-MEW-920	FENDER ASSY. B, RR.	1
5	80106-MEW-920	PLATE B, RR. FENDER	1
6	90215-ML0-000	BOLT, RADIATOR SETTING	6
7	90305-SH3-000	NUT, AIR SPOILER CLIP	6
8	90677-KAN-961	NUT, CLIP, 5MM	6
9	95012-15001	BAND, BATTERY	1



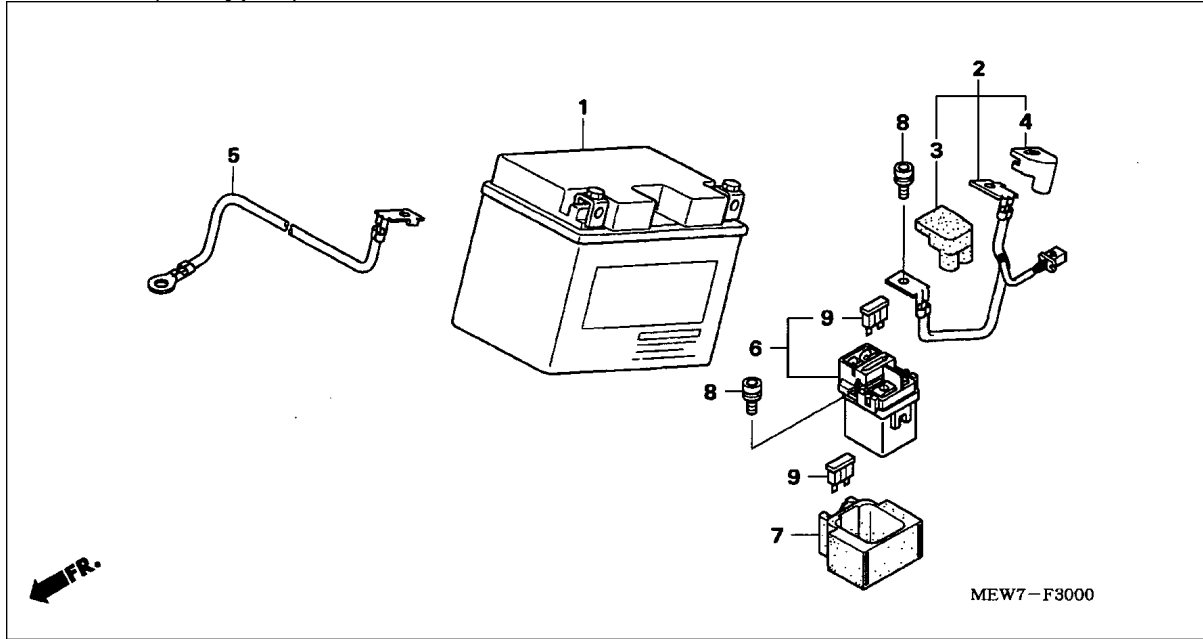
Ref. No.	L.O.N.	(Relative ref. Number) Description	F.R.T.
1	6161B6	SOCKET, WINKER :RIGHT FRONT ..	0.3
	6161B7	SOCKET, WINKER :BOTH FRONT ...	0.3
2	6161L4	LENS, FRONT WINKER :RIGHT	0.8
	6161M6	LENS, FRONT WINKER :BOTH	1.1
3	6161B5	SOCKET, WINKER :LEFT FRONT ...	0.3
	6161B7	SOCKET, WINKER :BOTH FRONT ...	0.3
4	6161L3	LENS, FRONT WINKER :LEFT	0.8
	6161M6	LENS, FRONT WINKER :BOTH	1.1
5	616133	BULB, WINKER :FRONT	0.3
		.NOTE: Same time for two units	
	6161G0	BULB, WINKER :FOR 1 VEHICLE ..	0.4

Ref No	Part No	Description	Qty
1	33405-MEW-921	CORD COMP., R.	1
2	33410-MEW-921	LENS COMP., R.	1
3	33455-MEW-921	CORD COMP., L.	1
4	33460-MEW-921	LENS COMP., L.	1
5	34908-KFG-E20	BULB (12V 21W)	2
6	93903-34320	SCREW, TAPPING, 4X12	6



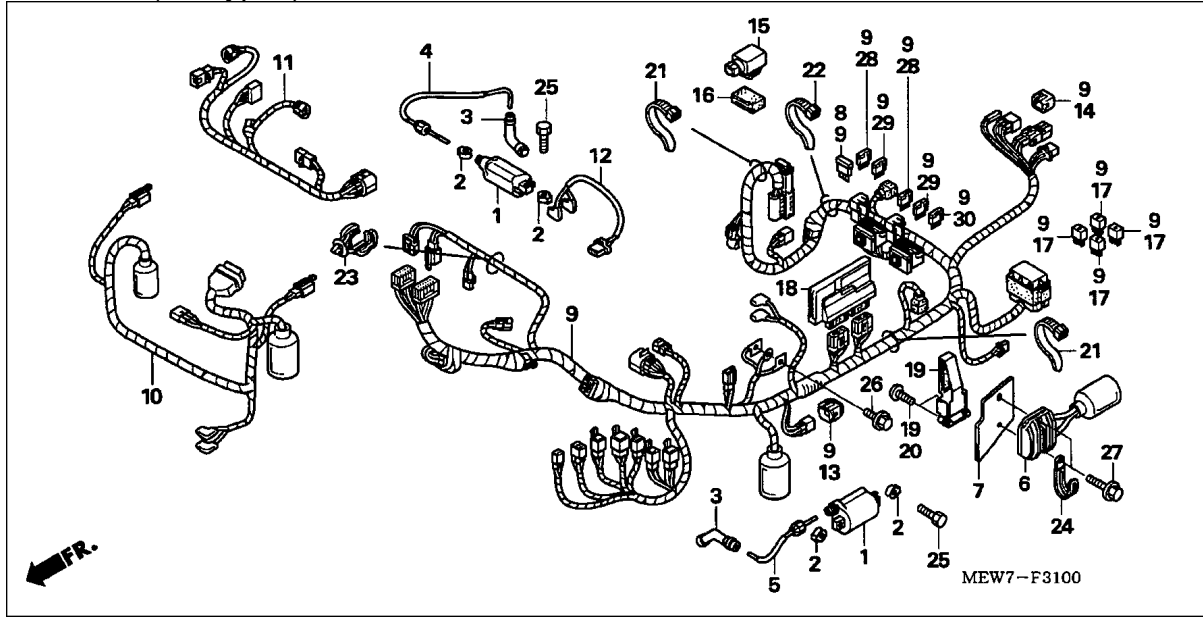
Ref. No.	L.O.N.	(Relative ref. Number) Description	F.R.T.
1	6161F3	BULB, LICENSE LIGHT	0.2
2	6161D5	TAILLIGHT UNIT	0.5
3	6161E7	SOCKET, TAILLIGHT	0.2
6	6161D8	LIGHT, LICENSE	0.5
8	6161E3	BASE, LICENSE	0.2
9	6161E9	SOCKET, LICENSE LIGHT	0.5
10	616139	BULB, WINKER :REAR	0.1
		.NOTE: Same time for two units or more	
	6161G0	BULB, WINKER :FOR 1 VEHICLE ..	0.4
11	6161G1	BULB, TAILLIGHT	0.1
		.NOTE: Same time for two units	

Ref No	Part No	Description	Qty
1	33301-SA0-741	BULB (12V 5W)(STANLEY)	1
2	33702-MEW-921	COMBINATION UNIT, RR.	1
3	33703-MEW-921	SOCKET COMP.	1
4	33706-GN3-671	COVER, LICENSE	1
5	33709-KAB-003	PACKING, LICENSE LIGHT	1
6	33720-MEW-921	LIGHT ASSY., LICENSE	1
7	33721-KPB-003	LENS, LICENSE	1
8	33722-KPB-003	BASE, LICENSE	1
9	33726-MEW-920	CORD COMP., LICENSE LIGHT	1
10	34905-MBT-D21	BULB	2
11	34906-447-711	BULB, TAILLIGHT (12V 21/5W)(STANLEY)	2
12	83601-MN5-000	GROMMET, SIDE COVER	2
13	90301-KBH-000	NUT, CLIP, 6MM	2
14	90677-KAN-961	NUT, CLIP, 5MM	4
15	93901-34420	SCREW, TAPPING, 4X16	2
16	93903-34310	SCREW, TAPPING, 4X12	2
17	93913-14210	SCREW, TAPPING, 4X12	1



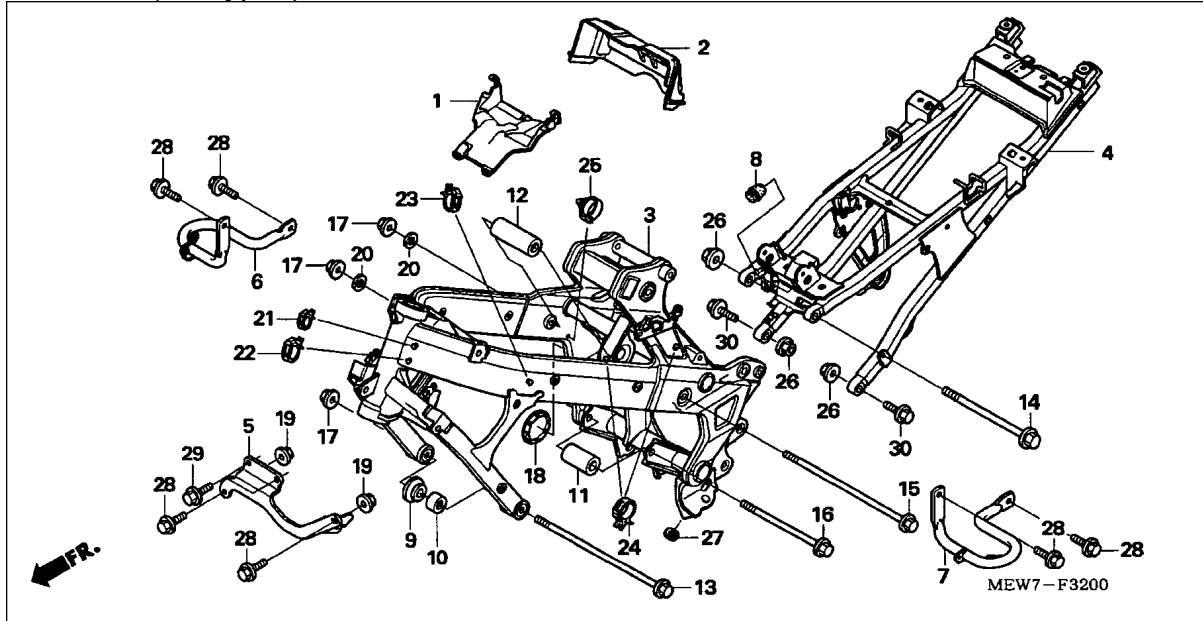
Ref. No.	L.O.N.	(Relative ref. Number) Description	F.R.T.
1	610100	BATTERY	0.2
2	610105	CABLE, POSITIVE BATTERY	0.1
5	610110	CABLE, NEGATIVE BATTERY	0.7
6	615113	SWITCH, STARTER MAGNETIC	0.3

Ref No	Part No	Description	Qty
1	31500-MCR-D02	BATTERY (YTZ14S)(YUASA)	1
2	32401-MEW-850	CABLE, STARTER BATTERY	1
3	32406-MT4-000	COVER, STARTER MAGNETIC TERMINAL	1
4	32414-MEW-920	COVER, BATTERY TERMINAL	1
5	32601-MEW-920	CABLE, BATTERY EARTH	1
6	35850-MT4-000	SWITCH ASSY., STARTER MAGNETIC	1
7	35856-MT3-000	RUBBER, SHOCK	1
8	90111-MR5-000	BOLT, SOCKET, 5X9	2
9	98200-33000	FUSE, BLADE (30A)	2



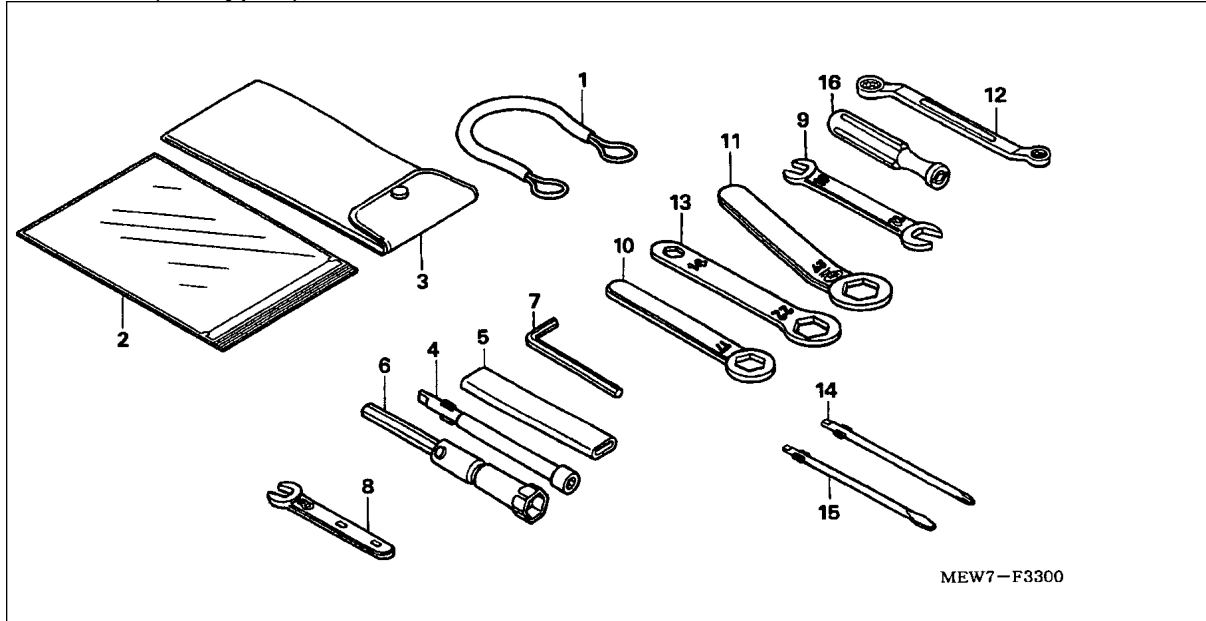
Ref. No.	L.O.N.	(Relative ref. Number) Description	F.R.T.
1	6141A3	COIL, IGNITION :FRONT	1.0
	6141A4	COIL, IGNITION :REAR	0.5
	6141A5	COIL, IGNITION :FOR 1 VEHICLE	1.5
6	6131B2	RECTIFIER, REGULATE	0.7
9	611100	HARNESS, WIRE	2.5
10	6111D7	SUB HARNESS, FRONT	1.3
11	6111E6	SUB HARNESS, THROTTLE BODY	0.8
15	6111C3	RELAY, WINKER	0.2
17	6111D9	RELAY, FAN CONTROL	0.7
	6111H0	RELAY, FI IGNITION	0.7
	6111G1	RELAY, FUEL PUMP	0.7
	6111D8	RELAY, HEADLIGHT	0.7
18	618135	ENGINE CONTROL MODULE(ECM)	0.3

Ref No	Part No	Description	Qty
1	30500-MBG-003	COIL COMP., IGNITION	2
2	30520-ML7-000	SPACER, IGNITION COIL	4
3	30700-MEW-921	CAP ASSY., NOISE SUPPRESSOR	2
4	30731-MEW-920	CORD ASSY., FR. HIGH TENSION	1
5	30732-MEW-920	CORD ASSY., RR. HIGH TENSION	1
6	31600-MEW-921	RECTIFIER ASSY., REGULATE	1
7	31601-MEW-920	PLATE, REGULATE RECTIFIER	1
8	31730-MAS-601	DIODE ASSY., THREE WAY (SUMITOMO)	1
9	32100-MEW-920	HARNESS, WIRE	1
10	32102-MEW-920	SUB HARNESS, FR.	1
11	32105-MEW-920	SUB HARNESS, THROTTLE BODY	1
12	32109-MEW-920	SUB HARNESS, FR. IGNITION	1
13	32606-GEV-761	CAP, DUMMY (4P)(RED)	1
14	32606-MEL-D01	CAP, DUMMY (6P)	1
15	38301-MEW-921	RELAY COMP., WINKER	1
16	38306-KK4-000	SUSPENSION, WINKER RELAY (MITSUBA)	1
17	38501-MEL-003	RELAY ASSY., POWER (MICRO ISO 4P)	4
18	38770-MEW-921	PGM-FI UNIT	1
19	38775-MEW-900	BRACKET SET, PGM-FI UNIT COVER	1
20	90105-KPF-900	BOLT, ONE-WAY, 6X20	2
21	90651-KV6-003	BAND, WIRE	2
22	90652-KT1-771	BAND, WIRE (BLACK)	1
23	90683-SA0-003	CLIP, WIRE HARNESS, 25MM	1
24	91406-166-000	CLIP, WIRE	1
25	92101-06022-4J	BOLT, HEX., 6X22	4
26	95701-06012-08	BOLT, FLANGE, 6X12	1
27	95701-06030-00	BOLT, FLANGE, 6X30	2
28	98200-41000	FUSE, MINI (10A)	6
29	98200-42000	FUSE, MINI (20A)	4



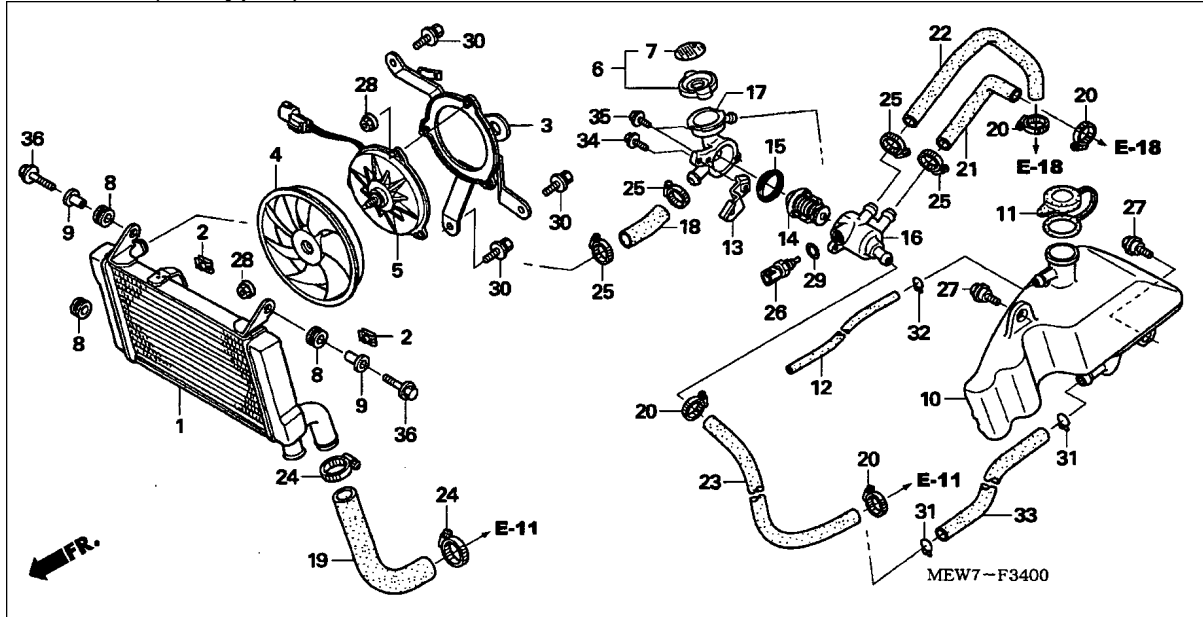
Ref. No.	L.O.N.	(Relative ref. Number) Description	F.R.T.
3	410100	BODY, FRAMEINCLUDES: Engine removal and installation	10.9
	410100B	.ABS add	0.5
4	410157	SEAT RAIL	2.1
	410157A	.ABS add	0.7
6	4101F6	GUARD, ENGINE :RIGHT	0.8
	4101F9	GUARD, ENGINE :BOTH	1.3
7	4101F5	GUARD, ENGINE :LEFT	0.8
	4101F9	GUARD, ENGINE :BOTH	1.3

Ref No	Part No	Description	Qty
1	19130-MEW-920	PLATE, FR. HEAT GUARD	1
2	19131-MEW-920	GUARD, RR. HEAT	1
3	50100-MEW-930	BODY COMP., FRAME	1
3	50100-MEW-920	BODY COMP., FRAME	1
4	50200-MEW-920	RAIL COMP., SEAT	1
5	50260-MEW-920	PLATE, FR. CROSS	1
6	50270-MEW-920	GUARD, R. ENGINE	1
7	50280-MEW-920	GUARD, L. ENGINE	1
8	50353-HA7-670	RUBBER, STOPPER	2
9	50353-MBL-610	COLLAR, R. FR. ENGINE HANGER	1
10	50355-MEW-920	COLLAR A, L. ENGINE HANGER	1
11	50358-MEW-920	COLLAR D, ENGINE HANGER	1
12	50359-MEW-920	COLLAR C, L. ENGINE HANGER (24X65)	1
13	90102-MN8-000	BOLT, ENGINE HANGER, 10X270	1
14	90110-MEW-920	BOLT, FLANGE, 12X205	1
15	90112-MEW-920	BOLT, FLANGE, 12X265	1
16	90118-MEW-920	BOLT, FLANGE, 10X185	1
17	90204-634-000	NUT, FLANGE, 10MM	3
18	90302-MZ8-G20	CAP, PIVOT	1
19	90309-428-731	NUT, FLANGE (SELF-LOCK)(M8X1.25)	2
20	90405-MEW-920	WASHER, 10.5X25	2
21	90690-GHB-651	CLIP, CABLE, 15MM	1
22	90690-GHB-661	CLIP, CABLE, 20MM	1
23	90690-GHB-671	CLIP, CABLE, 25MM	1
24	90690-GHB-681	CLIP, CABLE, 30MM	2
25	91558-SD5-003	CLIP, WIRE HARNESS (BLACK)	1
26	94050-12000	NUT, FLANGE, 12MM	3
27	94540-06018	E-RING, 6MM	1
28	96300-08020-00	BOLT, FLANGE, 8X20	6
29	96300-08055-00	BOLT, FLANGE, 8X55	2
30	96400-12070-00	BOLT, FLANGE, 12X70(DR)	2



Ref. No.	L.O.N.	(Relative ref. Number) Description	F.R.T.
NO INFORMATION			

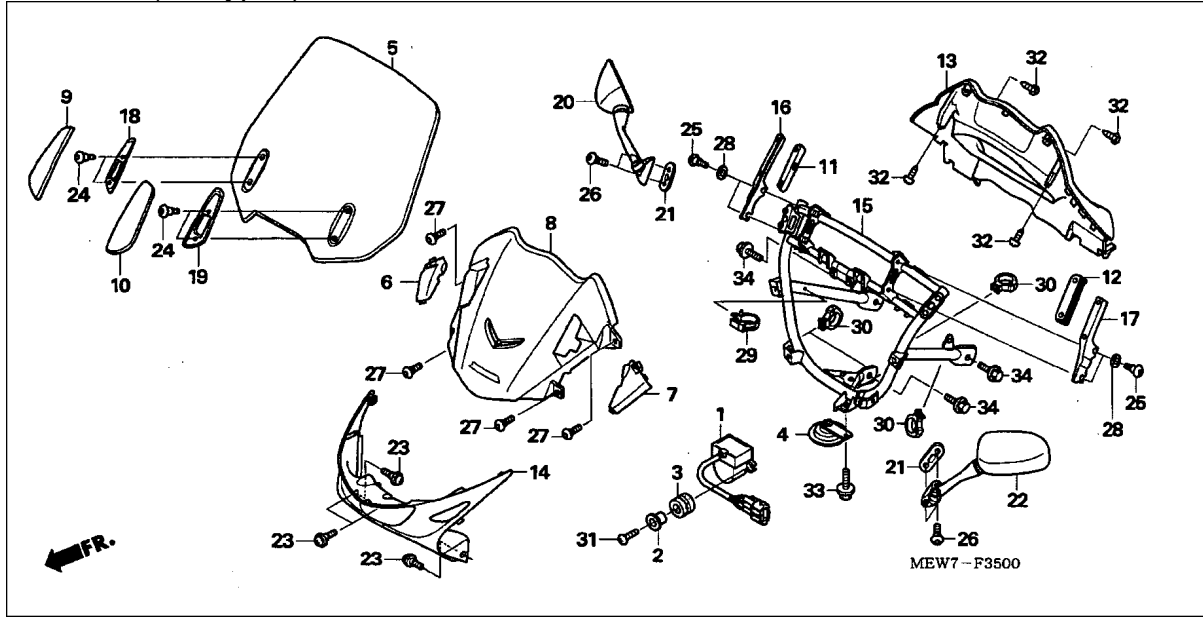
Ref No	Part No	Description	Qty
1	77236-MEW-921	WIRE, HELMET SETTING	1
2	83642-MBL-D60	BAG, OWNERS MANUAL	1
3	89101-300-010	BAG, TOOL	1
4	89211-MEW-921	WRENCH, BOX (8MM)	1
5	89215-MEW-921	HANDLE, EYE WRENCH, 12MM	1
6	89216-MEW-921	WRENCH, PLUG (16.5)	1
7	89221-MEW-921	WRENCH, HEX., 5MM	1
8	89222-MEW-921	SPANNER, 8	1
9	89223-MEW-921	SPANNER, 10X12	1
10	89224-MEW-921	WRENCH, EYE, 17	1
11	89225-MEW-921	WRENCH, EYE, 27MM	1
12	89226-MEW-921	WRENCH, EYE, 10X12	1
13	89227-MEW-921	WRENCH, EYE, 22X14	1
14	89228-MEW-921	DRIVER PLUS SCREW 1,	1
15	89229-MEW-921	DRIVER MINUS SCREW 3,	1
16	89235-MEW-921	GRIP, SCREW DRIVER	1



Ref. No.	L.O.N.	(Relative ref. Number) Description	F.R.T.
1	1151C3	RADIATOR	1.5
3	115125	SHROUD, RADIATOR	1.4
4	1151A6	FAN, COOLING	1.3
5	1151A7	MOTOR, FAN	1.4
6	1151B8	CAP, RADIATOR	0.7
10	115110	TANK, RADIATOR RESERVE	0.9
14	114116	THERMOSTAT	1.1
16	114117	CASE, THERMOSTAT	1.5
17	1141B3	COVER, THERMOSTAT	1.0
18	115103	HOSE, RADIATOR :UPPER	1.0
19	115104	HOSE, RADIATOR :LOWER	1.3
21	1141C6	HOSE, HEAD WATER :REAR	1.7
	1141C7	HOSE, HEAD WATER :BOTH	1.8
22	1141C5	HOSE, HEAD WATER :FRONT	1.7
	1141C7	HOSE, HEAD WATER :BOTH	1.8
23	1141B4	HOSE, WATER BYPASS	1.5
26	6171A9	SENSOR, WATER TEMP	0.8
33	1151E5	TUBE, RADIATOR RESERVE TANK ..	0.9

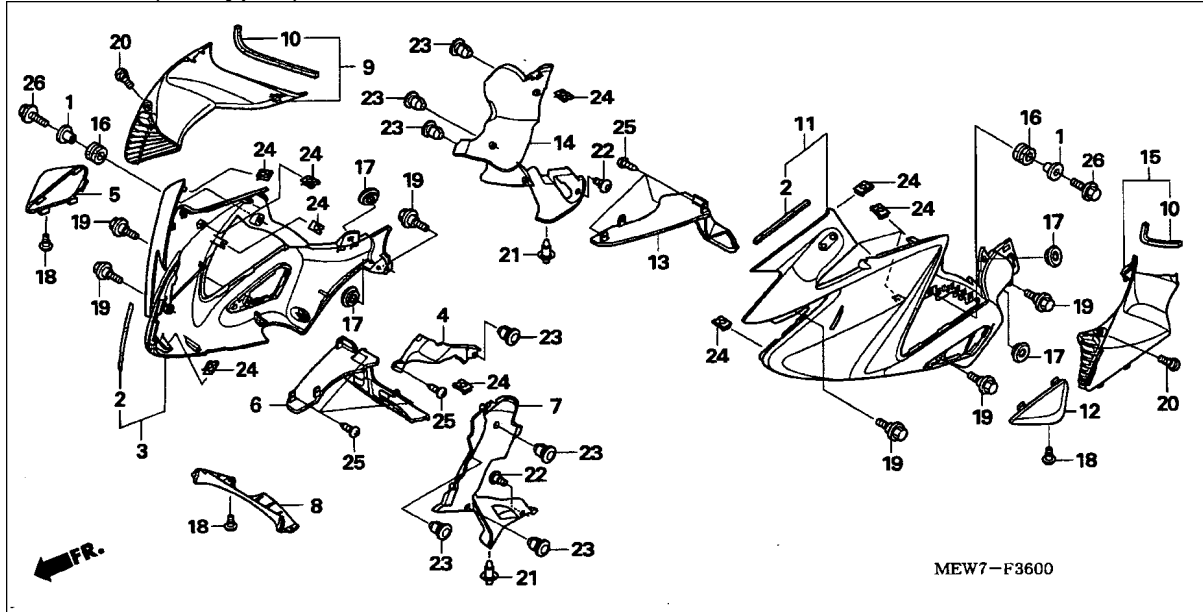
Ref No	Part No	Description	Qty
1	19010-MEW-921	RADIATOR COMP.	1
2	19014-KEA-003	NUT, SETTING	2
3	19015-MEW-921	SHROUD COMP.	1
4	19020-MEE-003	FAN COMP., COOLING	1
5	19030-MEW-921	MOTOR ASSY., FAN	1
6	19037-GEE-710	CAP COMP., RADIATOR	1
7	19046-PAA-A00	LABEL, RADIATOR CAP	1
8	19051-KA3-830	RUBBER, RADIATOR MOUNTING	3
9	19052-MN8-000	COLLAR, RADIATOR MOUNTING	2
10	19101-MEW-920	TANK, RESERVE	1
11	19104-MB0-700	CAP, RESERVE TANK	1
12	19104-MEW-920	TUBE, RESERVE TANK BREATHER	1
13	19105-MEW-920	STAY, THERMOSTAT CASE	1
14	19300-MCH-A00	THERMOSTAT ASSY.	1
15	19305-KV3-010	RUBBER, THERMOSTAT	1
16	19311-MEW-920	CASE, THERMOSTAT	1
17	19315-MEW-920	COVER, THERMOSTAT	1
18	19501-MEW-920	HOSE, RADIATOR UPPER	1
19	19502-MEW-920	HOSE, RADIATOR LOWER	1
20	19504-KY1-003	CLAMP, WATER HOSE, 25MM	4
21	19504-MEW-920	HOSE, RR. CYLINDER HEAD WATER	1
22	19505-MEW-920	HOSE, FR. CYLINDER HEAD WATER	1
23	19507-MEW-920	HOSE, THERMOSTAT BYPASS	1
24	19509-MM5-003	CLAMPER, RADIATOR HOSE	2

Ref No	Part No	Description	Qty
25	19516-ML7-691	CLAMP, HOSE, 24-32MM	4
26	37870-KRJ-901	SENSOR ASSY., WATER TEMP	1
27	90111-162-000	BOLT, FLANGE, 6MM	2
28	90315-MK3-003	NUT, SERRATE, 5MM	4
29	90454-MC7-000	WASHER, SPECIAL, 12MM	1
30	93401-06014-07	BOLT-WASHER, 6X14	3
31	95002-02120	CLIP, TUBE (B12)	2
32	95002-50000	CLIP, TUBE (C9)	1
33	95005-75300-20	TUBE, 7.3X300 (95005-75001-20M)	1
34	95701-06020-00	BOLT, FLANGE, 6X20	1
35	96001-06022-00	BOLT, FLANGE, 6X22	2
36	96300-06025-07	BOLT, FLANGE, 6X25	2



Ref. No.	L.O.N.	(Relative ref. Number) Description	F.R.T.
1	617125	SENSOR, BANK ANGLE	1.2
4	616169	HORN(S)	0.2
5	411115	WINDSCREEN SET	0.1
8	812102	VISOR, METER	1.1
13	812140	PANEL, METER	0.3
14	4131R8	COVER, FRONT UNDER	0.1
15	411105	STAY, FRONT COVER	1.5

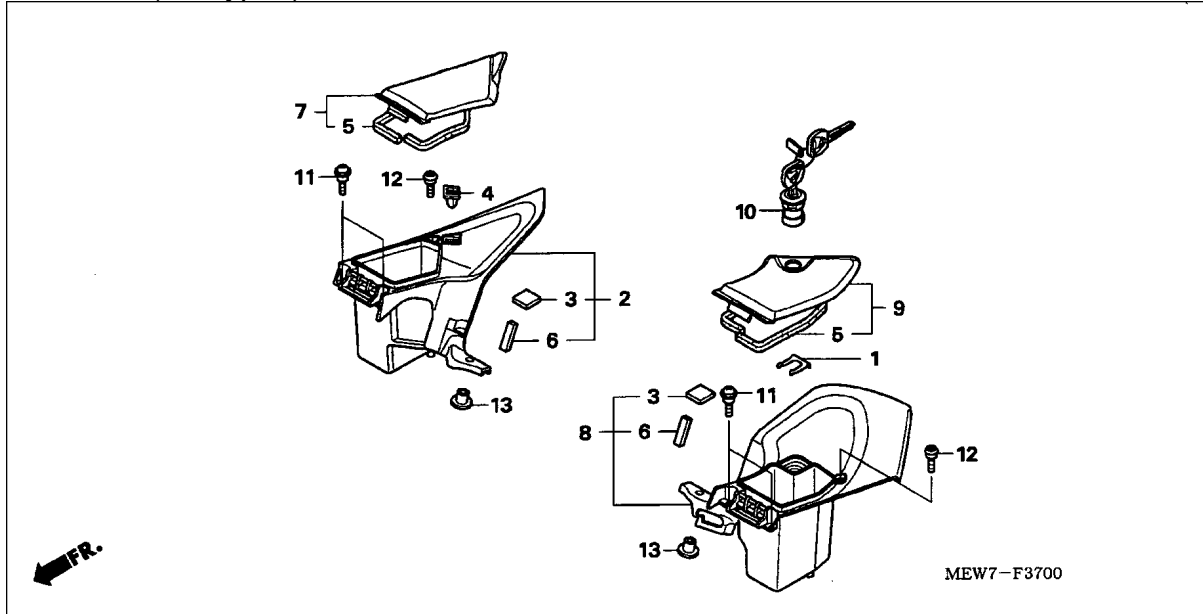
Ref No	Part No	Description	Qty
1	35161-MEE-640	SENSOR COMP., BANK ANGLE	1
2	35162-MN5-003	COLLAR	2
3	35163-MN5-003	GROMMET	2
4	38110-MR5-671	HORN COMP. (HIGH)	1
5	64110-MEW-920	WINDSCREEN	1
6	64112-MEW-920	LID, R. SCREEN INNER	1
7	64113-MEW-920	LID, L. SCREEN INNER	1
8	64115-MEW-920	COWL SET, SCREEN INNER (WL)	1
9	64121-MEW-920	COVER, R. WINDSCREEN	1
10	64122-MEW-920	COVER, L. WINDSCREEN	1
11	64131-MEW-920	COVER, R. SCREEN STAY	1
12	64132-MEW-920	COVER, L. SCREEN STAY	1
13	64216-MEW-920	VISOR, METER	1
14	64221-MEW-920	COWL, HEADLIGHT UNDER	1
15	64501-MEW-920	STAY, UPPER COWL	1
16	64502-MEW-920	STAY, R. SCREEN	1
17	64503-MEW-920	STAY, L. SCREEN	1
18	64504-MEW-920	SPACER, R. SCREEN	1
19	64505-MEW-920	SPACER, L. SCREEN	1
20	88110-MEW-921	MIRROR ASSY., R. BACK	1
21	88113-MEW-920	RUBBER, MIRROR MOUNTING	2
22	88120-MEW-921	MIRROR ASSY., L. BACK	1
23	90105-MB1-000	SCREW, SPECIAL, 5X12	4
24	90116-MEW-920	BOLT, SPECIAL, 6X8	4
25	90117-MEW-920	BOLT, SCREEN STAY	4
26	90130-MEE-000	BOLT, SOCKET, 6X13	4
27	90133-MCS-G00	SCREW, PAN, 5X13	4
28	90148-SAO-000	WASHER, BUMPER BOLT	4
29	90690-GHB-641	CLIP, CABLE, 10MM	1
30	90690-GHB-651	CLIP, CABLE, 15MM	4
31	93500-04020-0A	SCREW, PAN, 4X20	2
32	93903-24380	SCREW, TAPPING, 4X12	4
33	95701-08012-08	BOLT, FLANGE, 8X12	1
34	95701-10018-00	BOLT, FLANGE, 10X18	3



Ref. No.	L.O.N.	(Relative ref. Number) Description	F.R.T.	Ref. No.	L.O.N.	(Relative ref. Number) Description	F.R.T.
3	4111D4	COWL, MIDDLE :RIGHT	0.8	3	4111D4	COWL, MIDDLE :RIGHT	0.8
	4111D5	COWL, MIDDLE :BOTH	1.3		4111D5	COWL, MIDDLE :BOTH	1.3
4	4111U1	COVER, MIDDLE COWL UNDER :RIGHT	0.3	4	4111U1	COVER, MIDDLE COWL UNDER :RIGHT	0.3
5	4111C2	COVER, ENGINE GUARD :RIGHT	0.1	5	4111C2	COVER, ENGINE GUARD :RIGHT	0.1
	4111L9	COVER, ENGINE GUARD :BOTH	0.1		4111L9	COVER, ENGINE GUARD :BOTH	0.1
6	4111T8	GUIDE, MIDDLE COWL AIR :RIGHT	0.7	6	4111T8	GUIDE, MIDDLE COWL AIR :RIGHT	0.7
	4111T9	GUIDE, MIDDLE COWL AIR :BOTH	1.1		4111T9	GUIDE, MIDDLE COWL AIR :BOTH	1.1
7	4111D9	COWL, INNER :RIGHT	0.8	7	4111D9	COWL, INNER :RIGHT	0.8
	4111E0	COWL, INNER :BOTH	1.0		4111E0	COWL, INNER :BOTH	1.0
8	1151B5	COVER, RADIATOR :LOWER	0.1	8	1151B5	COVER, RADIATOR :LOWER	0.1
9	4111T5	LID, MIDDLE COWL :RIGHT	0.1	9	4111T5	LID, MIDDLE COWL :RIGHT	0.1
	4111T6	LID, MIDDLE COWL :BOTH	0.1		4111T6	LID, MIDDLE COWL :BOTH	0.1
11	4111D3	COWL, MIDDLE :LEFT	0.8	11	4111D3	COWL, MIDDLE :LEFT	0.8
	4111D5	COWL, MIDDLE :BOTH	1.3		4111D5	COWL, MIDDLE :BOTH	1.3
12	4111C1	COVER, ENGINE GUARD :LEFT	0.1	12	4111C1	COVER, ENGINE GUARD :LEFT	0.1
	4111L9	COVER, ENGINE GUARD :BOTH	0.1		4111L9	COVER, ENGINE GUARD :BOTH	0.1
13	4111T7	GUIDE, MIDDLE COWL AIR :LEFT	0.7	13	4111T7	GUIDE, MIDDLE COWL AIR :LEFT	0.7
	4111T9	GUIDE, MIDDLE COWL AIR :BOTH	1.1		4111T9	GUIDE, MIDDLE COWL AIR :BOTH	1.1
14	4111D8	COWL, INNER :LEFT	0.3	14	4111D8	COWL, INNER :LEFT	0.3
	4111E0	COWL, INNER :BOTH	1.0		4111E0	COWL, INNER :BOTH	1.0
15	4111T4	LID, MIDDLE COWL :LEFT	0.1	15	4111T4	LID, MIDDLE COWL :LEFT	0.1
	4111T6	LID, MIDDLE COWL :BOTH	0.1		4111T6	LID, MIDDLE COWL :BOTH	0.1

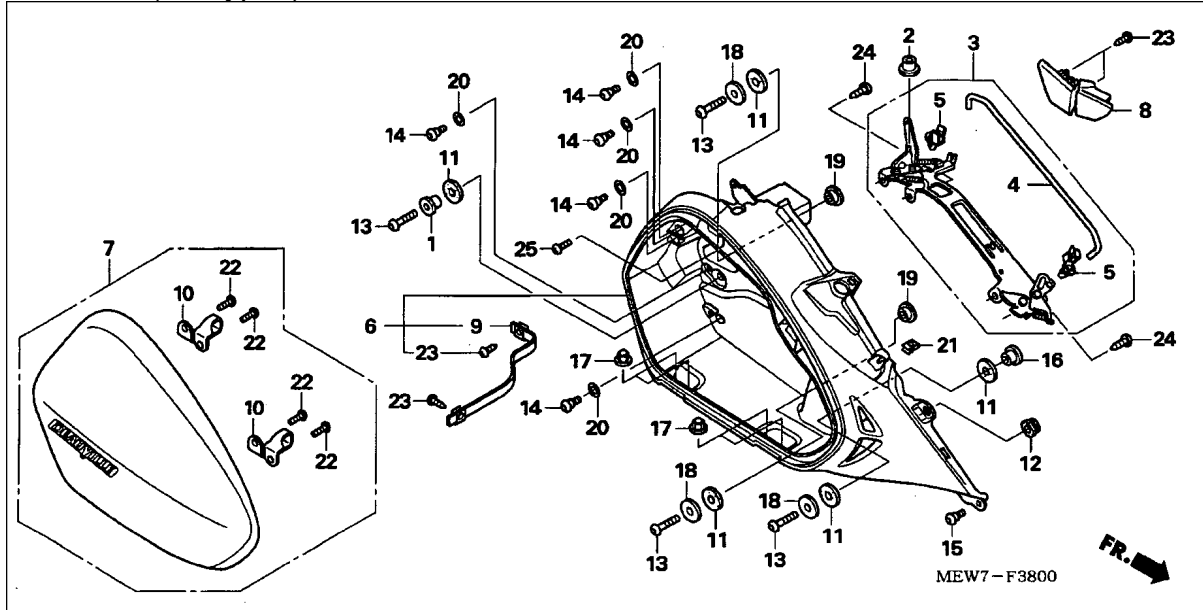
Ref No	Part No	Description	Qty
1	19052-KV0-000	COLLAR, RADIATOR MOUNTING	2
2	64213-MEW-920	MAT, FR. WINKER	2
3	64230-MEW-920ZK	COWL SET, R. MIDDLE (WL) *NH229MU* ANCHOR GRAY METALLIC-U	1
3	64230-MEW-920ZJ	COWL SET, R. MIDDLE (WL) *NH138 1* SHASTA WHITE	1
3	64230-MEW-920ZH	COWL SET, R. MIDDLE (WL) *YR264M* DUSK BEIGE METALLIC	1
3	64230-MEW-920ZF	COWL SET, R. MIDDLE (WL) *NHA65P* PEARL CONCOURSE BLACK	1
3	64230-MEW-920ZE	COWL SET, R. MIDDLE (WL) *B183M* PETROL BLUE METALLIC	1
4	64235-MEW-920	COVER, R. MIDDLE COWL UNDER	1
5	64260-MEW-920	COVER, R. ENGINE GUARD	1
6	64266-MEW-920	GUIDE, R. MIDDLE COWL AIR	1
7	64270-MEW-920	COWL, R. INNER LOWER	1
8	64280-MEW-920	COVER, RADIATOR UNDER	1
9	64291-MEW-920	LID, R. MIDDLE COWL	1
10	64295-MEW-920	SEAL, LID MIDDLE	2
11	64330-MEW-920ZK	COWL SET, L. MIDDLE (WL) *NH229MU* ANCHOR GRAY METALLIC-U	1
11	64330-MEW-920ZE	COWL SET, L. MIDDLE (WL) *B183M* PETROL BLUE METALLIC	1
11	64330-MEW-920ZF	COWL SET, L. MIDDLE (WL) *NHA65P* PEARL CONCOURSE BLACK	1
11	64330-MEW-920ZH	COWL SET, L. MIDDLE (WL) *YR264M* DUSK BEIGE METALLIC	1
11	64330-MEW-920ZJ	COWL SET, L. MIDDLE (WL) *NH138 1* SHASTA WHITE	1
12	64360-MEW-920	COVER, L. ENGINE GUARD	1
13	64366-MEW-920	GUIDE, L. MIDDLE COWL AIR	1

Ref No	Part No	Description	Qty
14	64370-MEW-920	COWL, L. INNER LOWER	1
15	64391-MEW-920	LID, L. MIDDLE COWL	1
16	83545-KCJ-690	RUBBER, SIDE COVER	2
17	83601-MN5-000	GROMMET, SIDE COVER	4
18	90106-MBY-000	SCREW, SPECIAL, 5X12	3
19	90111-ML0-730	BOLT, FLANGE, 6MM	6
20	90115-KW7-900	SCREW, VISOR SPECIAL SETTING	2
21	90116-SP0-003	CLIP, BUMPER SEAL	2
22	90119-MEW-920	SCREW, PAN, 6X11	2
23	90657-SB0-003	CLIP, SPLASH SHIELD	7
24	90677-KAN-961	NUT, CLIP, 5MM	12
25	93903-24380	SCREW, TAPPING, 4X12	7
26	95701-06020-00	BOLT, FLANGE, 6X20	2



Ref. No.	L.O.N.	(Relative ref. Number) Description	F.R.T.
2	4111B9	POCKET, COWL :RIGHT	0.2
	4111P7	POCKET, COWL :BOTH	0.4
7	4111F3	COVER, POCKET :RIGHT	0.1
	4111M4	COVER, POCKET :BOTH	0.1
8	4111B8	POCKET, COWL :LEFT	0.2
	4111P7	POCKET, COWL :BOTH	0.4
9	4111F2	COVER, POCKET :LEFT	0.1
	4111M4	COVER, POCKET :BOTH	0.1
10	411130	LOCK, POCKET LID	0.1

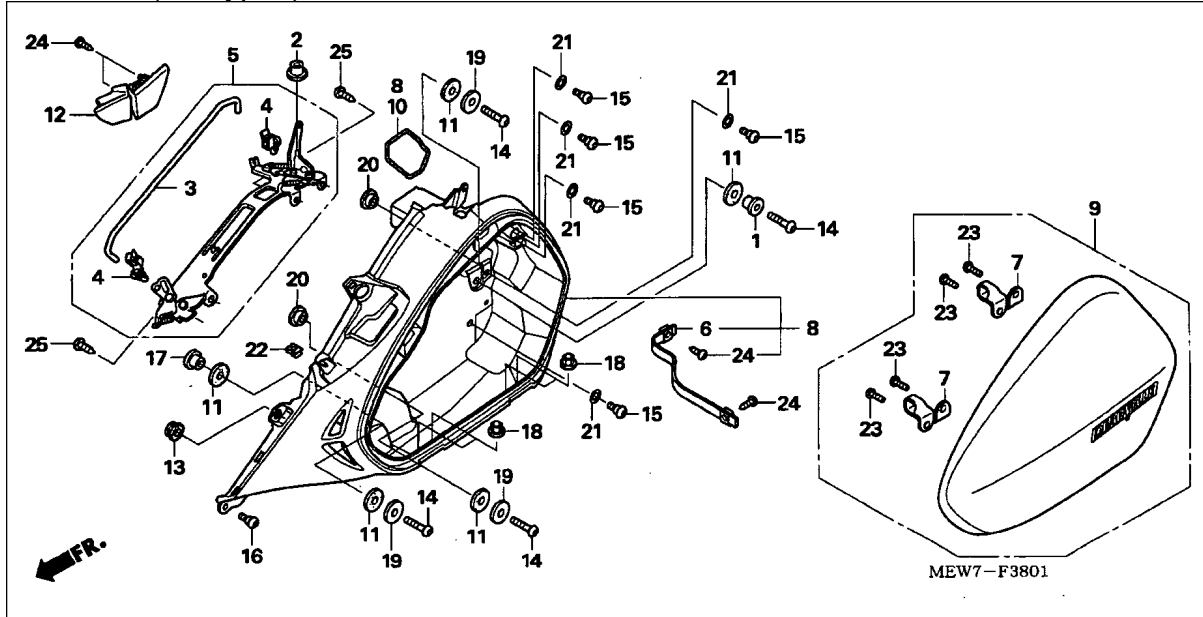
Ref No	Part No	Description	Qty
1	37222-MBL-610	SPRING, LOCK KEY SET	1
2	64241-MEW-920ZA	POCKET, R. COWL *B183M* PETROL BLUE METALLIC	1
2	64241-MEW-920ZB	POCKET, R. COWL *NHA65P* PEARL CONCOURSE BLACK	1
2	64241-MEW-920ZC	POCKET, R. COWL *NH138* SHASTA WHITE	1
2	64241-MEW-920ZD	POCKET, R. COWL *YR264M* DUSK BEIGE METALLIC	1
2	64241-MEW-920ZE	POCKET, R. COWL *NH229MU* ANCHOR GRAY METALLIC-U	1
3	64243-MEW-920	FASTENER B, DUAL LOCK, 20X20	2
4	64244-MEW-920	LATCH	1
5	64245-MEW-920	SEAL, POCKET LID	2
6	64246-MEW-920	SEAL, POCKET	2
7	64250-MEW-920	LID ASSY., R. POCKET	1
8	64341-MEW-920ZA	POCKET, L. COWL *B183M* PETROL BLUE METALLIC	1
8	64341-MEW-920ZB	POCKET, L. COWL *NHA65P* PEARL CONCOURSE BLACK	1
8	64341-MEW-920ZC	POCKET, L. COWL *NH138* SHASTA WHITE	1
8	64341-MEW-920ZD	POCKET, L. COWL *YR264M* DUSK BEIGE METALLIC	1
8	64341-MEW-920ZE	POCKET, L. COWL *NH229MU* ANCHOR GRAY METALLIC-U	1
9	64350-MEW-920	LID ASSY., L. POCKET	1
10	77233-MBL-611	LOCK ASSY., POCKET LID	1
11	90105-MB1-000	SCREW, SPECIAL, 5X12	4
12	90112-MBS-000	SCREW, PAN, 5X13	2
13	90505-MBK-750	COLLAR, FR. FENDER	2



Ref. No.	L.O.N.	(Relative ref. Number) Description	F.R.T.
3	4121L1	LOCK, SADDLEBAG COVER :RIGHT	0.7
	4121L2	LOCK, SADDLEBAG COVER :BOTH	1.3
6	4121B0	SADDLEBAG :RIGHT	0.9
	4121M2	SADDLEBAG :BOTH	1.7
7	4121B3	LID, SADDLEBAG :RIGHT	0.1
	4121M3	LID, SADDLEBAG :BOTH	0.2
8	4121D3	LEVER, SADDLEBAG COVER LOCK :RIGHT	0.3
	4121M1	LEVER, SADDLEBAG COVER LOCK :BOTH	0.5

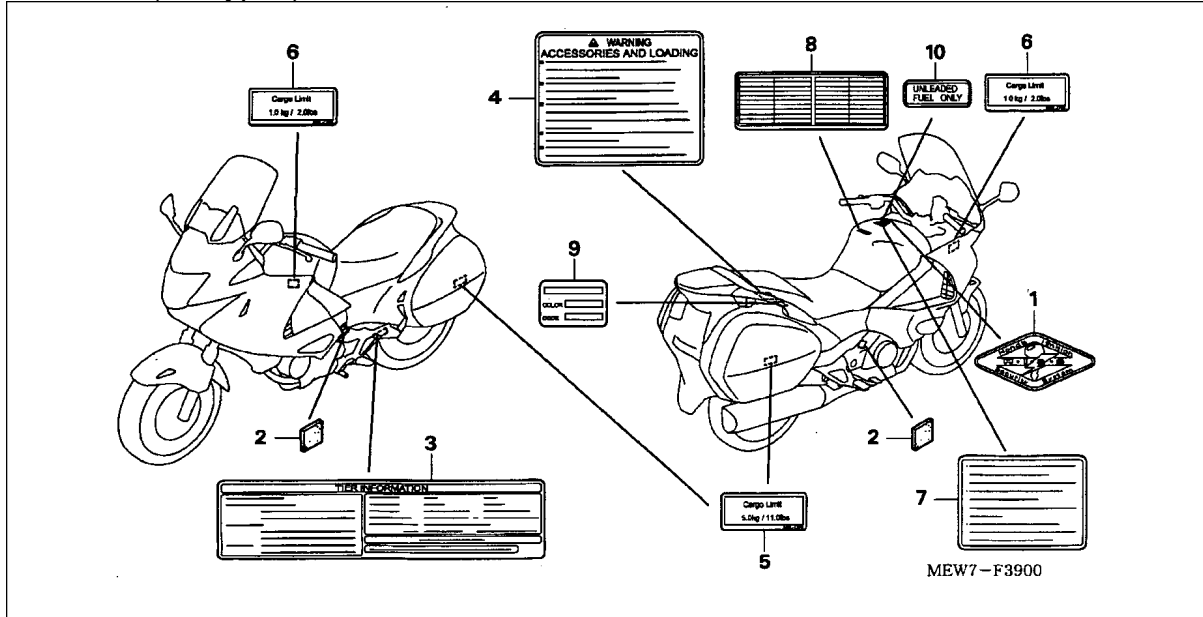
Ref No	Part No	Description	Qty
1	19052-MB0-000	COLLAR, RADIATOR MOUNTING	1
2	19619-ZM7-300	COLLAR, FAN COVER	1
3	77250-MEW-920	CATCH ASSY., R. SADDLEBAG	1
4	77260-MEW-920	ROD A, SADDLEBAG CATCH	1
5	77268-MEW-920	JOINT, ROD	2
6	81220-MEW-920	BODY ASSY., R. SADDLEBAG	1
7	81230-MEW-920ZA	LID ASSY., R. SADDLEBAG (WL) *NH138* SHASTA WHITE	1
7	81230-MEW-920ZE	LID ASSY., R. SADDLEBAG (WL) *B183M* PETROL BLUE METALLIC	1
7	81230-MEW-920ZF	LID ASSY., R. SADDLEBAG (WL) *NHA65P* PEARL CONCOURSE BLACK	1
7	81230-MEW-920ZG	LID ASSY., R. SADDLEBAG (WL) *YR264M* DUSK BEIGE METALLIC	1
7	81230-MEW-920ZH	LID ASSY., R. SADDLEBAG (WL) *NH229MU* ANCHOR GRAY METALLIC-U	1
8	81270-MEW-920	LEVER ASSY., R. SADDLEBAG	1
9	81280-MEW-920	BAND, R. SADDLEBAG STOPPER	2
10	81316-MEW-920	STRIKER, SADDLEBAG	2
11	81356-MN5-000	RUBBER, BAG MOUNT	5
12	83551-GE2-000	GROMMET, AIR CLEANER CASE	1
13	90085-MAJ-A20	BOLT, SPECIAL, 6X22	4
14	90106-MBY-000	SCREW, SPECIAL, 5X12	5
15	90114-MEL-000	SCREW, SPECIAL, 5X11	1
16	90175-MCT-640	COLLAR, FUEL TANK	1
17	90305-SJ4-003	NUT, MOLDING SIDE	4
18	90402-KW7-900	WASHER, THRUST, 6MM	3
19	90505-MBK-750	COLLAR, FR. FENDER	2
20	90507-KCR-000	WASHER, RUBBER	5
21	90677-KAN-961	NUT, CLIP, 5MM	1
22	93901-25280	SCREW, TAPPING, 5X12	4
23	93903-24380	SCREW, TAPPING, 4X12	6
24	93903-25280	SCREW, TAPPING, 5X12	4

Ref No	Part No	Description	Qty
25	93903-25380	SCREW, TAPPING, 5X16	1



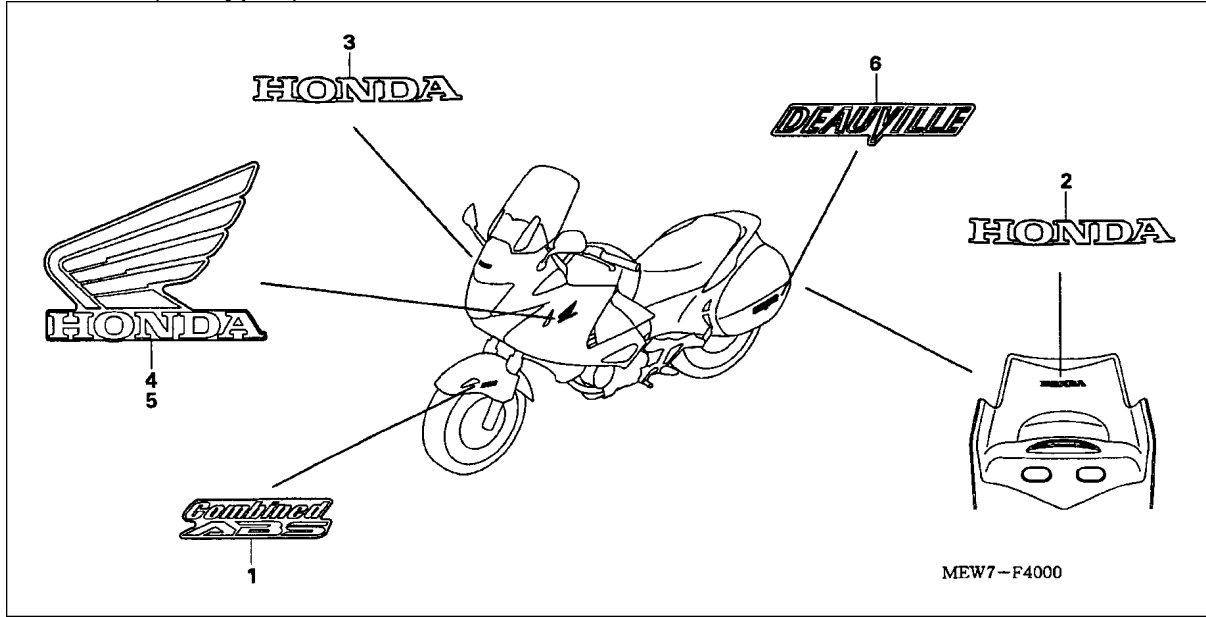
Ref. No.	L.O.N.	(Relative ref. Number) Description	F.R.T.
5	4121L0	LOCK, SADDLEBAG COVER :LEFT ..	0.7
	4121L2	LOCK, SADDLEBAG COVER :BOTH ..	1.3
8	4121A9	SADDLEBAG :LEFT	0.9
	4121M2	SADDLEBAG :BOTH	1.7
9	4121B2	LID, SADDLEBAG :LEFT	0.1
	4121M3	LID, SADDLEBAG :BOTH	0.2
12	4121D2	LEVER, SADDLEBAG COVER LOCK :LEFT	0.3
	4121M1	LEVER, SADDLEBAG COVER LOCK :BOTH	0.5

Ref No	Part No	Description	Qty
1	19052-MB0-000	COLLAR, RADIATOR MOUNTING	1
2	19619-ZM7-300	COLLAR, FAN COVER	1
3	77260-MEW-920	ROD A, SADDLEBAG CATCH	1
4	77268-MEW-920	JOINT, ROD	2
5	77350-MEW-920	CATCH ASSY., L. SADDLEBAG	1
6	81290-MEW-920	BAND, L. SADDLEBAG STOPPER	2
7	81316-MEW-920	STRIKER, SADDLEBAG	2
8	81320-MEW-920	BODY ASSY., L. SADDLEBAG	1
9	81330-MEW-920ZA	LID ASSY., L. SADDLEBAG (WL) *NH138* SHASTA WHITE	1
9	81330-MEW-920ZE	LID ASSY., L. SADDLEBAG (WL) *B183M* PETROL BLUE METALLIC	1
9	81330-MEW-920ZF	LID ASSY., L. SADDLEBAG (WL) *NHA65P* PEARL CONCOURSE BLACK	1
9	81330-MEW-920ZG	LID ASSY., L. SADDLEBAG (WL) *YR264M* DUSK BEIGE METALLIC	1
9	81330-MEW-920ZH	LID ASSY., L. SADDLEBAG (WL) *NH229MU* ANCHOR GRAY METALLIC-U	1
10	81322-MEW-920	SEAL, SADDLEBAG BODY	1
11	81356-MN5-000	RUBBER, BAG MOUNT	5
12	81370-MEW-920	LEVER ASSY., L. SADDLEBAG	1
13	83551-GE2-000	GROMMET, AIR CLEANER CASE	1
14	90085-MAJ-A20	BOLT, SPECIAL, 6X22	4
15	90106-MBY-000	SCREW, SPECIAL, 5X12	5
16	90114-MEL-000	SCREW, SPECIAL, 5X11	1
17	90175-MCT-640	COLLAR, FUEL TANK	1
18	90305-SJ4-003	NUT, MOLDING SIDE	4
19	90402-KW7-900	WASHER, THRUST, 6MM	3
20	90505-MBK-750	COLLAR, FR. FENDER	2
21	90507-KCR-000	WASHER, RUBBER	5
22	90677-KAN-961	NUT, CLIP, 5MM	1
23	93901-25280	SCREW, TAPPING, 5X12	4
24	93903-24380	SCREW, TAPPING, 4X12	6
25	93903-25280	SCREW, TAPPING, 5X12	4



Ref. No.	L.O.N.	(Relative ref. Number) Description	F.R.T.
NO INFORMATION			

Ref No	Part No	Description	Qty
1	17528-MAT-D70	MARK, HISS	1
2	64243-MEW-920	FASTENER B, DUAL LOCK, 20X20	2
3	87505-MEW-911	LABEL, TIRE (FRENCH)	1
3	87505-MEW-921	LABEL, TIRE	1
4	87512-MEW-910	LABEL, ACCESSORIES & LOADING (FRENCH)	1
4	87512-MEW-920	LABEL, ACCESSORIES & LOADING	1
5	87520-MBL-D60	LABEL, CARGO LIMIT (5.0)	2
5	87520-MBL-F60	LABEL, CARGO LIMIT (5.0)(FRENCH)	2
6	87521-MBL-F60	LABEL, CARGO LIMIT (1.0)(FRENCH)	2
6	87521-MBL-D60	LABEL, CARGO LIMIT (1.0)	2
7	87560-MZ0-611	LABEL, DRIVE (ENGLISH/FRENCH/GERMANY)	1
8	87560-MZ1-620	LABEL, FRENCH TRANSLATION	1
9	87565-MEW-920ZA	LABEL, COLOUR *TYPE1*(YR264)	1
9	87565-MEW-920ZB	LABEL, COLOUR *TYPE2*(NHA65)	1
9	87565-MEW-920ZC	LABEL, COLOUR *TYPE3*(B183)	1
9	87565-MEW-920ZD	LABEL, COLOUR *TYPE4*(NH229)	1
9	87565-MEW-920ZE	LABEL, COLOUR *TYPE5*(NH138)	1
10	87586-KGF-900	LABEL, FUEL	1
10	87586-KGF-930	LABEL, FUEL (FRENCH)	1



Ref. No.	L.O.N. (Relative ref. Number)	Description	F.R.T.
NO INFORMATION			

Ref No	Part No	Description	Qty
2	64123-MCS-G00	EMBLEM (HONDA)	1
3	64123-MCS-760	EMBLEM (HONDA)	1
4	64222-MEW-920ZA	MARK, R. WING *TYPE1*	1
4	64222-MEW-920ZB	MARK, R. WING *TYPE2*	1
4	64222-MEW-920ZC	MARK, R. WING *TYPE3*	1
4	64222-MEW-920ZD	MARK, R. WING *TYPE4*	1
4	64222-MEW-920ZE	MARK, R. WING *TYPE5*	1
5	64223-MEW-920ZA	MARK, L. WING *TYPE1*	1
5	64223-MEW-920ZB	MARK, L. WING *TYPE2*	1
5	64223-MEW-920ZC	MARK, L. WING *TYPE3*	1
5	64223-MEW-920ZD	MARK, L. WING *TYPE4*	1
5	64223-MEW-920ZE	MARK, L. WING *TYPE5*	1
6	81226-MEW-920	EMBLEM, SADDLEBAG LID	2