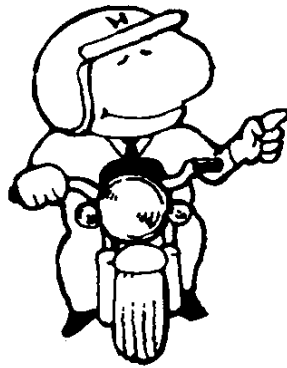


## Abbreviations used in the parts catalogue

RIGHT is abbreviated as "R."



"L." stands for LEFT

\* "L." or "R." in the description of a part stands for the LEFT hand side or the RIGHT hand side. Determine the left or right as if you were in the motorcycle seat.

• **The following abbreviations are used in this parts catalogue.**

A .....	Ampere	L. ....	Left
ABS .....	Anti-lock brake system	L (100L) .	Link (100 Links)
A.C. ....	Alternating current	L.E.D. ....	Light emitted diode
A.M. ....	Attaching mark	MM .....	Millimeter
ASSY. ....	Assembly	MPH .....	Miles per hour
C.D.I. ....	Capacitive discharge ignition	R. ....	Right
COMP. ...	Complete	RR. ....	Rear
D.C. ....	Direct current	STD. ....	Standard
EX. ....	Exhaust	T (22T) ...	Tooth (22 Teeth)
FR. ....	Front	TCS .....	Traction control system
G .....	Gram	T.M. ....	Transcript mark
HEX. ....	Hexagonal	V .....	Volt
IN. ....	Inlet	W .....	Watt
KPH .....	Kilometers per hour	WL .....	With labelling
		WOL .....	Without labelling

### Color chart

- When ordering a colored part, refer to the chart below and use a part number consisting of the relevant basic part number to which has been added a part color code.

#### NT650V (NT650VW)

No.	MODEL		NT650VW						Applicable block No.	Ref. No.
	COLOR		Pearl raspberry black	Sandy beige metallic	Pyrenee brown metallic	Applicable model				
	CODE		RP-147P	YR-125M	YR-197M	Initial applicable model	Final applicable model			
	Name of colored parts	Basic part No.	RP147	YR125	YR197					
1	BODY COMP., FRAME	50100-MBL-610	ZC	ZC	ZC			F-30	2	
2	CAP A, GRAB RAIL	77317-MBL-610	ZB	ZB	ZB			F-16	13	
3	CAP B, GRAB RAIL	77318-MBL-610	ZB	ZB	ZB			F-16	14	
4	CAP, PIVOT	90303-MBL-610	ZA	ZA	ZA			F-23	11	
5	CLIP, PANEL FIXING	91549-MW0-790	ZA	ZA	ZA			F-33	26	
6	COWL SET, FR. UPPER	64215-MBL-610	ZA	ZB	ZC			F-33	5	
7	COWL SET, L. MIDDLE	64241-MBL-610	ZA	ZB	ZC			F-34	2	
8	COWL SET, R. MIDDLE	64231-MBL-610	ZA	ZB	ZC			F-34	1	
9	COWL, L. SEAT	77230-MBL-610	ZA	ZB	ZC			F-36-1	10	
10	COWL, R. SEAT	77220-MBL-610	ZA	ZB	ZC			F-36	7	
11	COWL, RR. CENTER	77210-MBL-610	ZA	ZB	ZC			F-16	9	
12	FENDER ASSY., FR.	61100-MBL-610	ZA	ZB	ZC			F-7	1	
13	LABEL, COLOR	87565-MBL-610	ZA	ZB	ZC			F-37	8	
14	LID, L. SADDLEBAG	77237-MBL-610	ZC	ZD	ZE			F-36-1	12	
15	LID, R. SADDLEBAG	77227-MBL-610	ZC	ZD	ZE			F-36	8	
16	MARK, FR. UPPER COWL	64211-MBL-610	ZA	ZB	ZC			F-38	3	
17	MARK, L. FUEL TANK	17517-MBL-610	ZA	ZB	ZC			F-38	2	
18	MARK, L. MIDDLE COWL	64233-MBL-610	ZA	ZB	ZC			F-38	5	
19	MARK, R. FUEL TANK	17516-MBL-610	ZA	ZB	ZC			F-38	1	
20	MARK, R. MIDDLE COWL	64232-MBL-610	ZA	ZB	ZC			F-38	4	
21	RAIL COMP., L. RR. GRAB	77315-MBL-610	ZB	ZB	ZB			F-16	12	
22	RAIL COMP., R. RR. GRAB	77310-MBL-610	ZB	ZB	ZB			F-16	11	
23	SEAT COMP., DOUBLE	77200-MBL-610	ZA	ZA	ZA			F-16	6	
24	TANK SET, FUEL	17520-MBL-610	ZC	ZD	ZE			F-15	14	

**Color label**

- When ordering parts, check the model name, main color, and code by observing the "COLOR LABEL" on the vehicle.
- When ordering a colored part, use the color chart in the instruction for use of parts catalogue.

No.	MODEL		VFR800FIW			
	COLOR		Sparkling silver metallic	Mute black metallic	Applicable model	
	CODE		NH-295M	NH-359M	Initial applicable model	Final applicable model
	Name of colored parts	Basic part No.	NH295	NH359		Applicable block No.
1						
2						
3						
4						
5						
6						
7						
8						
9						
10						

**VFR800FIW**  
**COLOR R-157**  
**CODE R157**

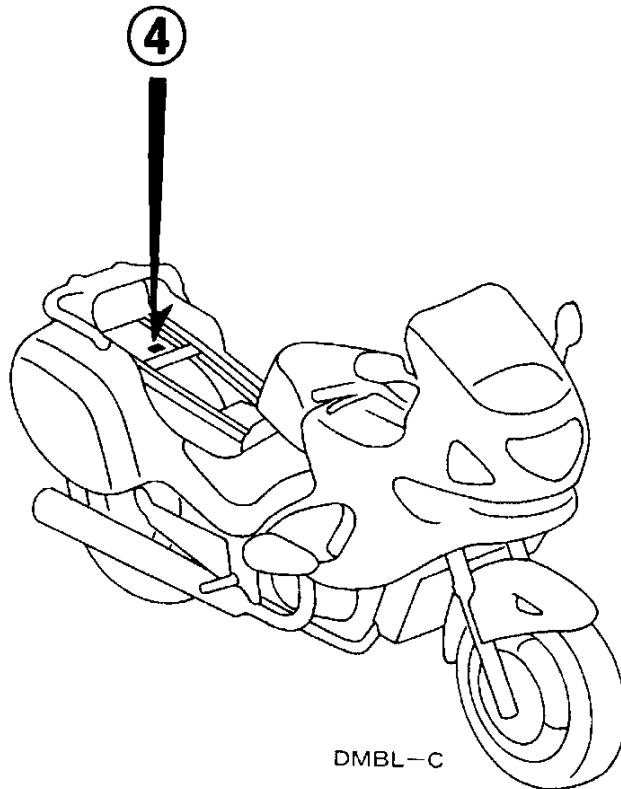
## Color label attachment position check

Colored parts



Color label

④



## Fuel hose, general purpose hoses and vinyl hose

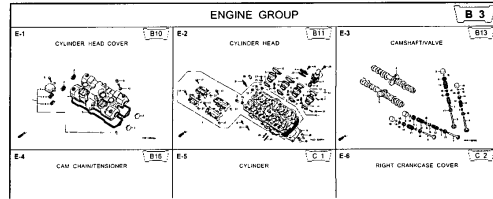
- The standard part fuel hose, general purpose hose and vinyl hose may be substituted by the coiled bulk part.
- When ordering the standard part fuel hose, general purpose hose and vinyl hose use the bulk part number written in the parts catalogue in brackets ( ) underneath the part name, or use the catalogue below.  
(The bulk part standard length is 1 m, however, those displayed in the catalogue < > are available in 3 m and 8 m lengths.)
- When exchanging the hose, cut and use at the specified length as mentioned in the part name.  
(For the method of cutting the bulk part, and method of filling out orders etc., please refer to the service manual and the instructions issued with the bulk part.)
- The list below is a catalogue of the standard part numbers and bulk part numbers. Note that those numbers are applicable to the listed replacement parts only.

Fuel hoses/Tubes			
Standard part No.	Bulk part No.	Bulk part	
		Inner diameter (mm)	Length (m)
95001-30xxx-2x	95001-30001-20M	3.0	1
95001-30xxx-3x	95001-30001-30M	3.0	1
95001-30xxx-4x	95001-30001-40M	3.0	1
95001-35xxx-2x	95001-35001-50M <95001-35003-50M>	3.5	1 3
95001-35xxx-3x	95001-35001-60M <95001-35003-60M>	3.5	1 3
95001-35xxx-4x	95001-35001-60M <95001-35003-60M>	3.5	1 3
95001-35xxx-5x	95001-35001-50M <95001-35003-50M>	3.5	1 3
95001-35xxx-6x	95001-35001-60M <95001-35003-60M>	3.5	1 3
95001-45xxx-2x	95001-45001-50M <95001-45003-50M>	4.5	1 3
95001-45xxx-3x	95001-45001-60M <95001-45003-60M> <95001-45008-60M>	4.5	1 3 8
95001-45xxx-4x	95001-45001-60M <95001-45003-60M> <95001-45008-60M>	4.5	1 3 8
95001-45xxx-5x	95001-45001-50M <95001-45003-50M>	4.5	1 3
95001-45xxx-6x	95001-45001-60M <95001-45003-60M> <95001-45008-60M>	4.5	1 3 8
95001-55xxx-2x	95001-55001-50M <95001-55003-50M> <95001-55008-50M>	5.5	1 3 8

Fuel hoses/Tubes			
Standard part No.	Bulk part No.	Bulk part	
		Inner diameter (mm)	Length (m)
95001-55xxx-3x	95001-55001-60M <95001-55003-60M> <95001-55008-60M>	5.5	1 3 8
95001-55xxx-4x	95001-55001-60M <95001-55003-60M> <95001-55008-60M>	5.5	1 3 8
95001-55xxx-5x	95001-55001-50M <95001-55003-50M> <95001-55008-50M>	5.5	1 3 8
95001-55xxx-6x	95001-55001-60M <95001-55003-60M> <95001-55008-60M>	5.5	1 3 8
95001-75xxx-2x	95001-75001-50M <95001-75003-50M>	7.5	1 3
95001-75xxx-3x	95001-75001-60M <95001-75003-60M> <95001-75008-60M>	7.5	1 3 8
95001-75xxx-4x	95001-75001-60M <95001-75003-60M> <95001-75008-60M>	7.5	1 3 8
95001-75xxx-5x	95001-75001-50M <95001-75003-50M>	7.5	1 3
95001-75xxx-6x	95001-75001-60M <95001-75003-60M> <95001-75008-60M>	7.5	1 3 8
95001-80xxx-2x	95001-80001-50M	8.0	1
95001-80xxx-3x	95001-80001-60M	8.0	1
95001-80xxx-4x	95001-80001-60M	8.0	1
95001-80xxx-5x	95001-80001-50M	8.0	1
95001-80xxx-6x	95001-80001-60M	8.0	1

**How to refer to the part information**

**A Reference with "Illustrated index"**



**B Reference with "Part number index"**

PART NO. INDEX					
Part Number	Address	Page	Part No.	Address	Page
04000			13323-WY9-751 C12	28	10 1492
			13324-WY9-751 C12	28	10 1493
			13325-WY9-751 C12	28	10 1495
			13327-WY9-751 C12	28	10 1493
			14000		1493
06405-WY3-PTD	F13	67	14100-MCE-000 B13	13	2 1493
06425-WY3-PTD	F15	67	14200-MCE-000 B13	13	3 1493
06410-WY9-860	F2	56	14301-MCE-000 B16	16	2 1493
06435-MCE-000	F1	23	14301-MCE-000 B16	16	2 1493
06451-160-408	F13	2	14401-MCE-033 B16	16	3 1493
06451-443-408	F1	15	14510-MCE-000 B16	16	4 1494
06451-767-408	F13	51	14520-WY9-691 B16	16	3 1494
06455-MCE-000	E13	3	14524-WY9-690 B16	16	6 1494
			14540-MCE-000 B16	16	7 1494
			14620-WY9-691 B16	16	8 1494
			14711-MCE-000 B13	13	1494
11210-MCE-000	C9	25	14712-MCE-000 B13	13	3 1494
11320-MCE-325	C2	18	14721-MCE-000 B13	13	6 1494
11333-K18-000	C6	22	14732-MCE-000 B13	13	7 1494
11335-MCE-000	C2	18	14750-MCE-000 B13	13	6 1494
11340-MCE-000	C7	23	14731-MCE-000 B13	13	9 1499
11350-MCE-000	C7	23	14751-WY9-751 B13	13	10 1495
11396-WY9-000	C2	18	14751-KY2-000 B13	13	11 1495
11631-MCE-000	C5	21	14751-MCE-000 B13	13	12 1495
11691-WY9-000	C5	21	14761-MCE-000 B13	13	13 1495

**C Reference with "Part name index"**

PART NAME INDEX					
Part name	Address	Page	Part No.	Address	Page
[ A ]					
ADJUSTER, CHAIN	F13	67	BOLT, CHANG		
ARM COMP, SEA R CHANGE	F10	64	BOLT, CLUTC H		
ARM, L, MAIN STEP	F11	65	BOLT, CONVIC		
ARM, L, PILLW STEP	F11	65	BOLT, DISK, O		
ARM, R, MAIN STEP	F11	65	BOLT, DISK, S		
ARM, R, PILLW STEP	F11	65	BOLT, GRATH I		
AUT OF COE R HOSE, FUEL	F4	18	BOLT, FLANGE E		
AXLE, FR, WHEEL	F16	52	BOLT, FLANGE		
AXLE, RR, WHEEL	F2	56	BOLT, FLANGE		
[ B ]					
BAG, AIR PRESSUR E GAUGE	G7	77	BOLT, FLANGE		
BAG, SERVICE BOOK	G7	77	BOLT, FLANGE		
BAG, TOOL	G7	77	BOLT, FLANGE		
BALL, STEEL	F11	65	BOLT, FLANGE		
BAND, A, INSULATOR	B11	11	BOLT, FLANGE		
BAND, B, INSULATOR	B11	11	BOLT, FLANGE		
BAND, AIR CLEANER CONNECTING	TUBE	18	BOLT, FLANGE		
BAND, J-LOCK	F16	70	BOLT, FLANGE		
BAND, WIRE	C10	26	BOLT, FLANGE		
	E5	43			
	E6	76			

**F-7 FRONT FENDER**

Address No. **E11**

Block No. **1**

Ref No. **1**

Part No.	Description	Qty	Serial No.	Parts catalogue code
1 4315A-MCE-000	CLAMP, R, FR, BRAKE HOSE	1		
2 4315B-MCE-000	CLAMP, L, FR, BRAKE HOSE	1		
3 01100-MCE-000A	FENDER COMP, FR	1		31,4J
	MH411R FORCE SILVER METALLIC	1		
4 01100-MCE-000B	FRONT FENDER PHOENIX BLUE	1		3,2J
5 01101-MCE-010	PLATE, FR, FENDER	2	1008000	
6 01101-MCE-010	PLATE, FR, FENDER	2	1008001	
7 01100-MCE-300	CUSHION, FR, FENDER (BLACK)	2		
8 01105-MCE-000	STAY, FR, FENDER MOUNTING	2		
9 01107-MCE-000	COLLAR (6.5)	4		
0 96001-0000-00	BOLT, FLANGE, 6X20	4		

2000.09.01 E

Page No. **40**

## Instruction for use of parts catalogue

- **This parts catalogue has been created as of August 20, 2004.**
  - Since this date, the sales practice for repair parts may have been changed or the parts may have been eliminated (listed for those not for sale).
  - The modified information is reflected on the latest Electronic Parts Catalogue (EPC).  
Also, refer to the parts catalogue news for any change.
  - See the parts catalogue news for any revision that is made after August 20, 2004.
- **Always specify the part number when ordering a part.**
  - Check the model, type, serial numbers, color, maker, and the size as needed before ordering a part.
  - Note that the illustrations (part drawings) can differ from the actual parts in shape.  
They are given just to help you to refer to the parts.
- **When modifications or additions to this parts catalogue are made, a revised edition will be issued at an appropriate time, with successively progressing revision numbers on the cover. We recommend obtaining such revisions in order to keep your parts catalogue up-to-date at all times. To check whether a parts catalogue revision has been issued, please contact your Honda distributor.**

Initial version issue date  
September 01, 1997  
**Honda Motor Co., Ltd.**

### Models, parts catalogue codes and applicable serial numbers

Models, parts catalogue codes and applicable serial Nos. given in this parts catalogue can be identified as follows.

Parts with parts catalogue codes are exclusive for models destined for countries designated.

If no area codes are listed, parts are for common use.

Model	Area code	Type	Parts catalogue code	Applicable engine serial No.	Applicable frame serial No.	Applicable carburetor serial No.
NT650Vw	E	England	E	RC47E-2000054~2006567	VTMRC47A0WE000002~WE000782	VDK1D A
	ED	European direct sales	ED	RC47E-2000037~2006807	VTMRC47A0WE300006~WE302241	
	F	France	F	RC47E-2005421~2007201	VTMRC47A0WE201529~WE202097	
	G	Germany	G	RC47E-2000036~2007201	VTMRC47A0WE100003~WE101743	
	SW	Switzerland	SW	RC47E-2001226~2005262	VTMRC47B0WE000002~WE000241	VDKAC A
	ED	European direct sales (*2)	2ED	RC47E-4000001~4099999	VTMRC47C0WE100001~WE199999	VDK1D A
	F	France (*2)	2F	RC47E-4000001~4099999	VTMRC47A0WE200001~WE299999	
	G	Germany (*1)	2G	RC47E-3000020~3000336	VTMRC47B0WE100002~WE100361	
	G	Germany (*2)	3G	RC47E-4000086~4000315	VTMRC47C0WE200002~WE200361	

(\*1) 37kw type

(\*2) 25kw type

## Part block and serial number check

### Part block

Engine parts  
E-1~

Carburetor parts  
E-20~

Frame parts  
F-1~

### Required serial number

Engine serial number

Carburetor serial number

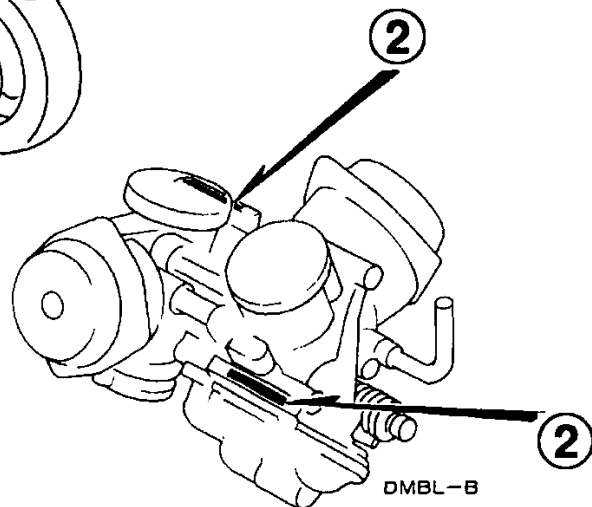
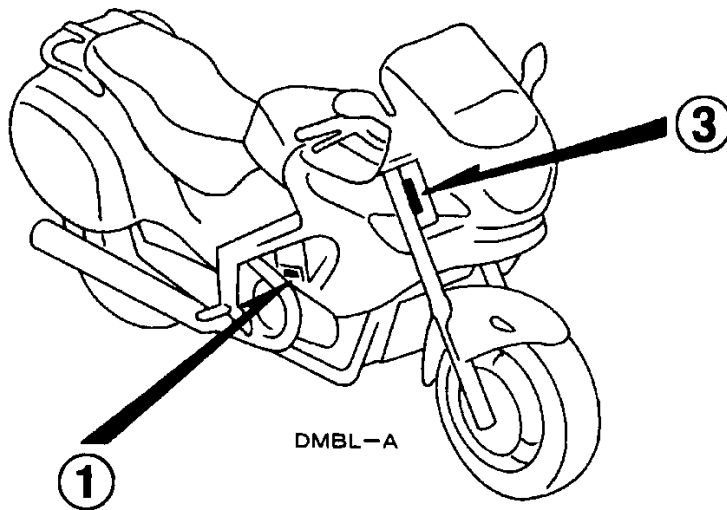
Frame serial number

### Check point

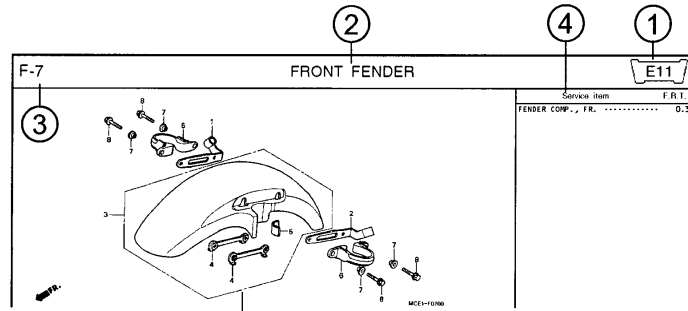
①

②

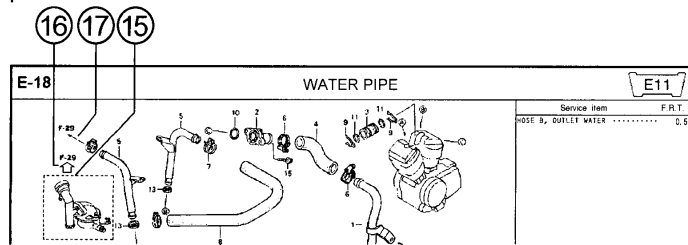
③



**Part catalogue structure**

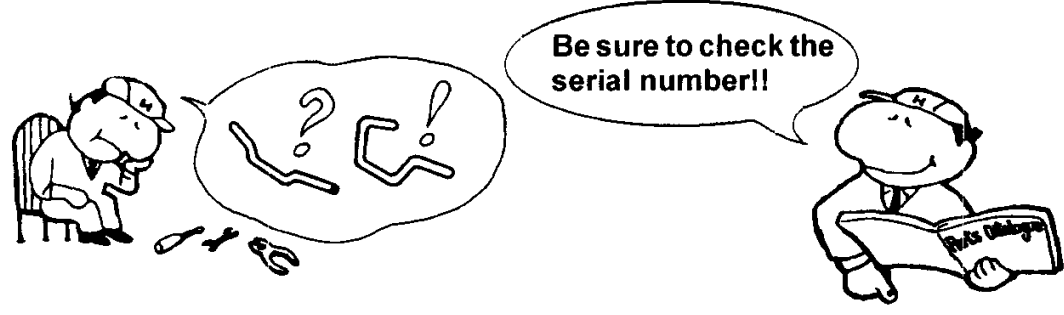


Ref. No.	Part No.	Description	Reqd. QTY CB400 SFV SFV	Serial No.	Parts catalogue code
1	45156-MCE-000	CLAMPER, R. FR. BRAKE HOSE --	1	1	
2	45157-MCE-000	CLAMPER, L. FR. BRAKE HOSE --	1	1	
3	61100-MCE-000ZA	FENDER COMP., FR. *NH411M*FORCE SILVER METALLIC	1	1	----- 3J,4J
	61100-MCE-000ZB	*PB284C*...CANDY PHOENIX BLUE	1	1	----- J,2J
4	61101-MCE-000	PLATE, FR. FENDER	2	2	1008000
	61101-MCE-010	.....	2	2	1008001
5	61102-MCE-300	CUSHION, FR. FENDER (BLACK)	2	2	



- ① **Address number**
  - Address No. is provided (in place of the page No.) to help you refer to the part with the part No. or part name.
- ② **Block title** ③ **Block number**
- ④ **Service item/Flat rate time**
- ⑤ **Reference number**
  - Title number marked with the parenthesis or parentheses indicates that it continues from the previous page.
- ⑥ **Part number** ⑦ **Honda color code**
- ⑧ **Description**
- ⑨ **Assemblies**
  - Sections framed with broken lines in the exploded view drawings are available as complete assemblies. (Their individual parts can also be obtained.)
- ⑩ **Color description**
- ⑪ **Note**
  - Notes are shown with the parentheses in the part name column.
- ⑫ **Required quantity**
  - Reqd. QTY shown in the parenthesis or parentheses indicates the optional part.
  - Reqd. QTY marked with "N" indicates the optional part that should be selected as needed.
  - Reqd. QTY indicates the number of the part used in the block.
- ⑬ **Serial number**
- ⑭ **Parts catalogue code**
  - When the parts catalogue code column is blank, it indicates that the part is applicable to all codes.
- ⑮
  - Parts enclosed within a dotted line are covered in a different block.
- ⑯
  - A hollow arrow indicates the block No. for the parts enclosed within a dotted line .
- ⑰
  - A solid arrow indicates the block No. the part in question is connected to.

## When the parts were revised



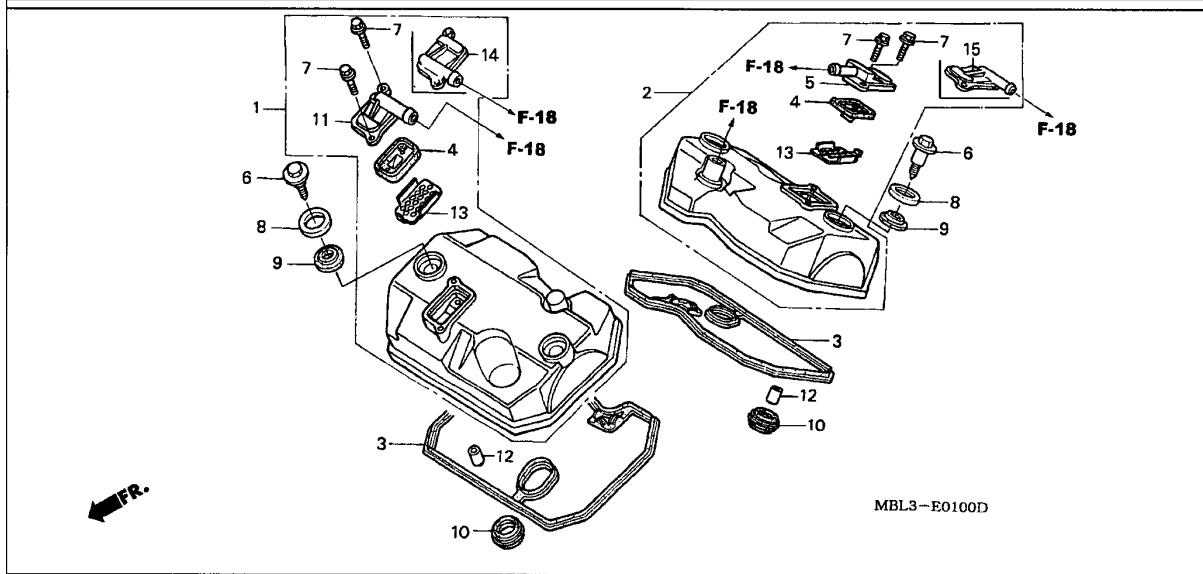
Ref. No.	Part No.	Description	Reqd. QTY		Serial No.
			CB400 SFX	SFY	
1	45156-MCE-000	CLAMPER, R. FR. BRAKE HOSE ..	1	1	
2	45157-MCE-000	CLAMPER, L. FR. BRAKE HOSE ..	1	1	
3	61100-MCE-000ZA	FENDER COMP., FR. *NH411M*FORCE SILVER METALLIC	1	-	-----3J,4J
	61100-MCE-000ZB	*PB284C*...CANDY PHOENIX BLUE	1	-	-----J,2J
4	61101-MCE-000	PLATE, FR. FENDER (###).....	2	2	-----1008000
	61101-MCE-010	.....	2	2	-----1008001
5	61102-MCE-300	CUSHION, FR. FENDER ..... (BLACK)	2	2	
6	61105-MCE-000	STAY, FR. FENDER MOUNTING ...	2	2	
7	61107-MR7-000	COLLAR (6.5) .....	4	4	
8	96001-06020-00	BOLT, FLANGE, 6X20 .....	4	4	

The number has been used from the initial model without revision.

When shown at the left side, it is applicable to the models of No.1008001 and the subsequent numbers.

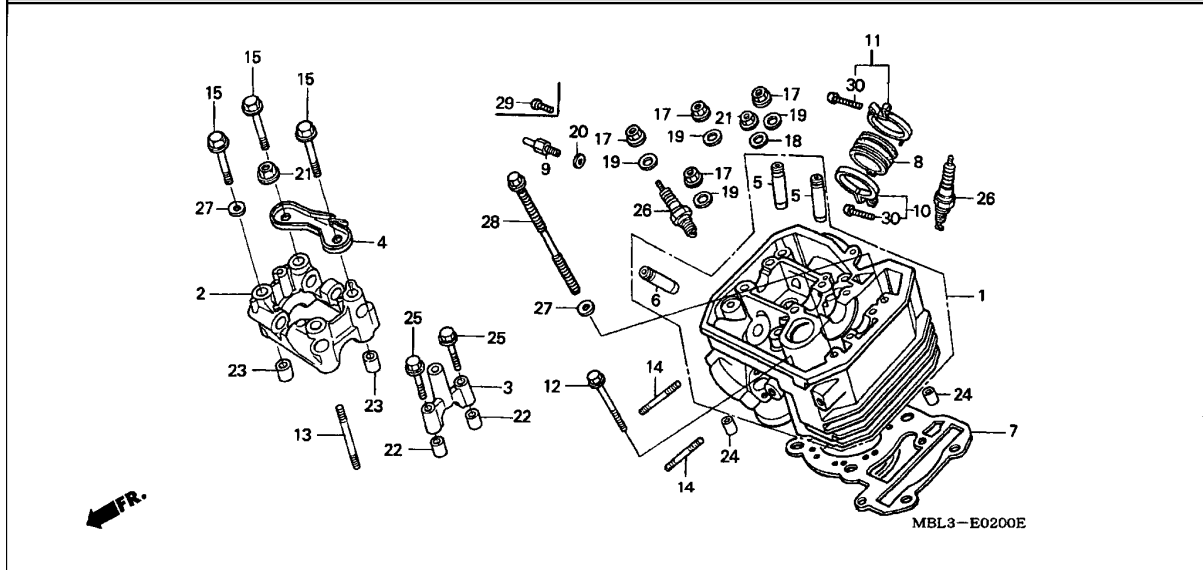
When shown at the right side, it is applicable to the models up to No.1008000.

• The parts listed with "###" at the end of the parts name have limited supply period (parts not for sale).



Service item	F.R.T.
COVER ASSY., RR. CYLINDER HEAD (ADD 0.5 FOR EACH.)	0.7
GASKET, HEAD COVER (FR. CYLINDER SIDE 1.0)	
COVER ASSY., FR. CYLINDER HEAD (ADD 0.2 FOR EACH.)	1.0

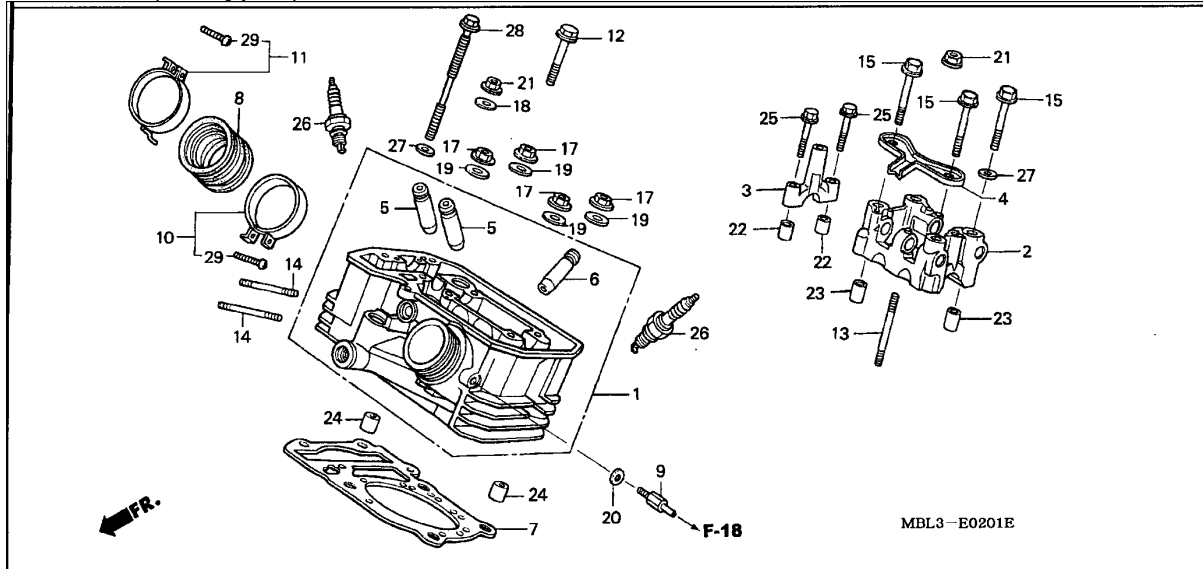
Ref No	Part No	Description	Qty
1	12310-MBL-G00	COVER ASSY., FR. CYLINDER HEAD	1
2	12320-MBL-G00	COVER ASSY., RR. CYLINDER HEAD	1
3	12391-MZ8-650	GASKET, HEAD COVER	2
4	18601-MBA-J51	VALVE COMP., REED	2
5	18612-MBA-600	COVER, REED VALVE	1
6	90011-MBA-000	BOLT, HEAD COVER	4
7	90012-896-750	BOLT, FLANGE, 5X14	4
8	90541-MAW-600	WASHER, MOUNTING RUBBER	4
9	90542-MB0-000	RUBBER, MOUNTING	4
10	12396-MBG-000	GASKET C, HEAD COVER	2
11	18612-MBB-630	COVER, REED VALVE	1
12	90701-MBL-G00	DOWEL PIN, 10X16	2
13	12341-MAT-750	PLATE, PORT (AI)	2



Service item	F.R.T.
PLUG, SPARK .....	0.1
(L. SIDE 0.3)	
INSULATOR, CARBURETOR .....	0.8
(ADD 0.1 FOR EACH.)	
HOLDER, SIDE CAMSHAFT .....	1.1
HOLDER, CAMSHAFT .....	1.6
GASKET, CYLINDER HEAD .....	3.2
(ADD 1.2 FOR EACH.)	
GUIDE, VALVE .....	4.0
(INC. REAMING)	
(ADD 0.3 FOR EACH.)	
(INC. VALVE REFACING)	
HEAD COMP., FR. CYLINDER .....	4.1

Ref No	Part No	Description	Qty
1	12210-MBL-G00	HEAD COMP., FR. CYLINDER	1
2	12223-MV1-000	HOLDER, CAMSHAFT	1
3	12225-MF5-000	HOLDER, SIDE CAMSHAFT	1
4	12226-MF5-000	PLATE, VALVE OIL GUIDE	1
5	12231-MF5-305	GUIDE, IN. VALVE (O.S.)	2
6	12241-MF5-315	GUIDE, EX. VALVE (O.S.)	1
7	12251-MN8-911	GASKET, CYLINDER HEAD	1
8	16210-MZ6-770	INSULATOR COMP., CARBURETOR	1
8	16210-MZ6-760	INSULATOR COMP., CARBURETOR	1
8	16211-MN8-750	INSULATOR, CARBURETOR	1
10	16218-MN8-750	BAND A, INSULATOR	1
11	16219-MN8-750	BAND B, INSULATOR	1
12	90004-GHB-770	BOLT, FLANGE, 6X70(NSHF)	1
13	90013-MF5-000	BOLT, STUD, 8X50	1
14	90015-MBL-610	BOLT, STUD, 8X40	2
15	90066-MC7-000	BOLT, FLANGE, 8X68	3
17	90204-634-000	NUT, FLANGE, 10MM	4
19	90410-HC4-000	WASHER, 10MM	4
20	90452-323-000	WASHER, SEALING, 5MM	1
21	94050-08080	NUT, FLANGE, 8MM	2
22	94301-08140	DOWEL PIN, 8X14	2
23	94301-10160	DOWEL PIN, 10X16	2
24	94301-14200	DOWEL PIN, 14X20	2
25	96001-06040-00	BOLT, FLANGE, 6X40	2
26		PLUG, SPARK (X22EPR-U9)(DENSO)	[2]
26		PLUG, SPARK (DPR8EA-9)(NGK)	2
26		PLUG, SPARK (X24EPR-U9)(DENSO)	2
26		PLUG, SPARK (DPR7EA-9)(NGK)	[2]

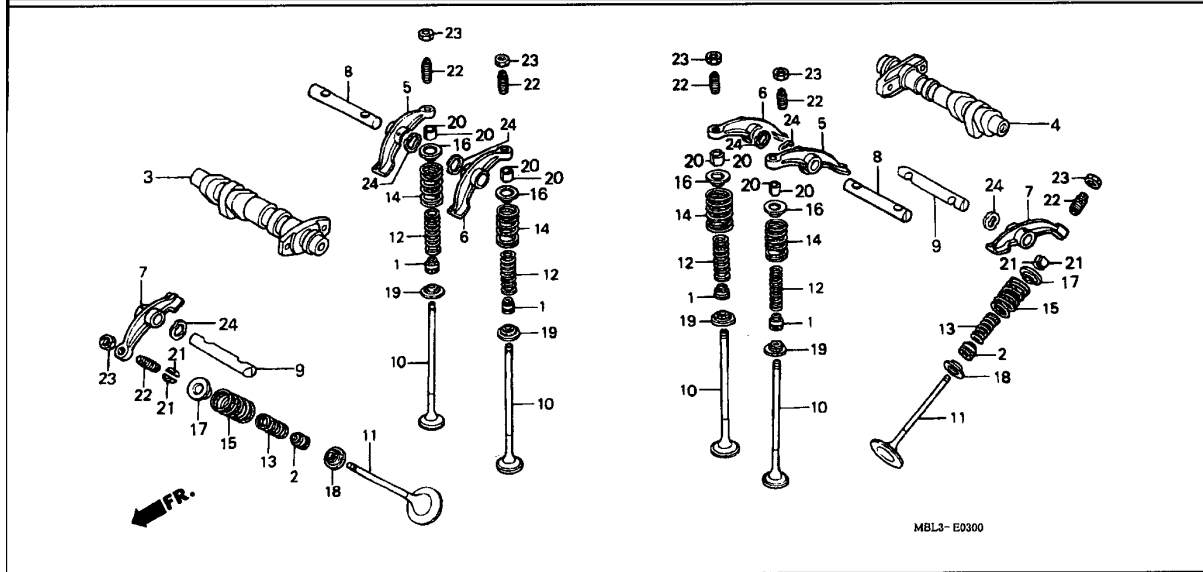
Ref No	Part No	Description	Qty
26		PLUG, SPARK (X27EPR-U9)(DENSO)	[2]
26		PLUG, SPARK (DPR9EA-9)(NGK)	[2]
27	90401-MZ8-H00	WASHER, 8MM	3
28	90081-MZ8-H01	BOLT, CYLINDER, 8X187	2
29	93500-05008-0A	SCREW, PAN, 5X8	1
30	93500-05025-0G	SCREW, PAN, 5X25	2



Service item	F.R.T.
PLUG, SPARK .....	0.1
(R. SIDE 0.3)	
HOLDER, SIDE CAMSHAFT .....	0.8
INSULATOR, CARBURETOR .....	
HOLDER, CAMSHAFT .....	1.1
GASKET, CYLINDER HEAD .....	2.6
(ADD 1.8 FOR EACH.)	
GUIDE, VALVE .....	3.4
(INC. REAMING)	
(ADD 0.3 FOR EACH.)	
(INC. VALVE REFACING)	
HEAD COMP., RR. CYLINDER .....	3.5

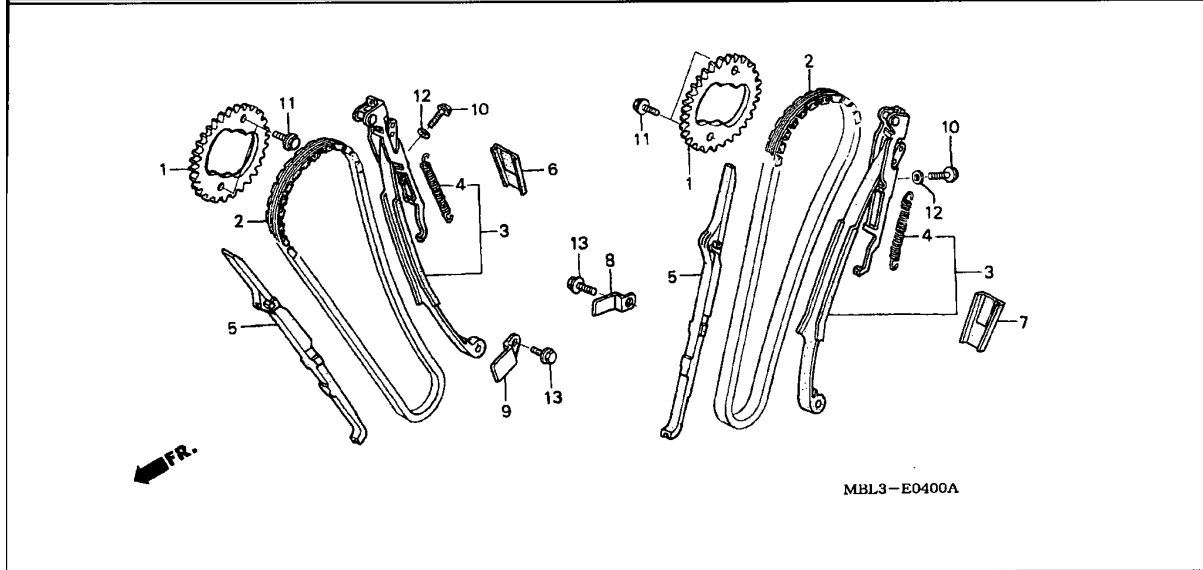
Ref No	Part No	Description	Qty
1	12220-MBL-G00	HEAD COMP., RR. CYLINDER	1
2	12223-MV1-000	HOLDER, CAMSHAFT	1
3	12225-MF5-000	HOLDER, SIDE CAMSHAFT	1
4	12226-MF5-000	PLATE, VALVE OIL GUIDE	1
5	12231-MF5-305	GUIDE, IN. VALVE (O.S.)	2
6	12241-MF5-315	GUIDE, EX. VALVE (O.S.)	1
7	12251-MN8-911	GASKET, CYLINDER HEAD	1
8	16210-MZ6-770	INSULATOR COMP., CARBURETOR	1
8	16210-MZ6-760	INSULATOR COMP., CARBURETOR	1
8	16211-MN8-750	INSULATOR, CARBURETOR	1
9	17113-KEA-000	JOINT, BOOST	1
10	16218-MN8-750	BAND A, INSULATOR	1
11	16219-MN8-750	BAND B, INSULATOR	1
12	90004-GHB-770	BOLT, FLANGE, 6X70(NSHF)	1
13	90013-MF5-000	BOLT, STUD, 8X50	1
14	90015-MN8-000	BOLT, STUD, 8X22	2
15	90066-MC7-000	BOLT, FLANGE, 8X68	3
17	90204-634-000	NUT, FLANGE, 10MM	4
19	90410-HC4-000	WASHER, 10MM	4
20	90452-323-000	WASHER, SEALING, 5MM	1
21	94050-08080	NUT, FLANGE, 8MM	2
22	94301-08140	DOWEL PIN, 8X14	2
23	94301-10160	DOWEL PIN, 10X16	2
24	94301-14200	DOWEL PIN, 14X20	2
25	96001-06040-00	BOLT, FLANGE, 6X40	2
26		PLUG, SPARK (DPR7EA-9)(NGK)	[2]
26		PLUG, SPARK (DPR8EA-9)(NGK)	2
26		PLUG, SPARK (X24EPR-U9)(DENSO)	2
26		PLUG, SPARK (X27EPR-U9)(DENSO)	[2]
26		PLUG, SPARK (DPR9EA-9)(NGK)	[2]

Ref No	Part No	Description	Qty
26		PLUG, SPARK (X22EPR-U9)(DENSO)	[2]
27	90401-MZ8-H00	WASHER, 8MM	3
28	90081-MZ8-H01	BOLT, CYLINDER, 8X187	2
29	93500-05025-0G	SCREW, PAN, 5X25	2



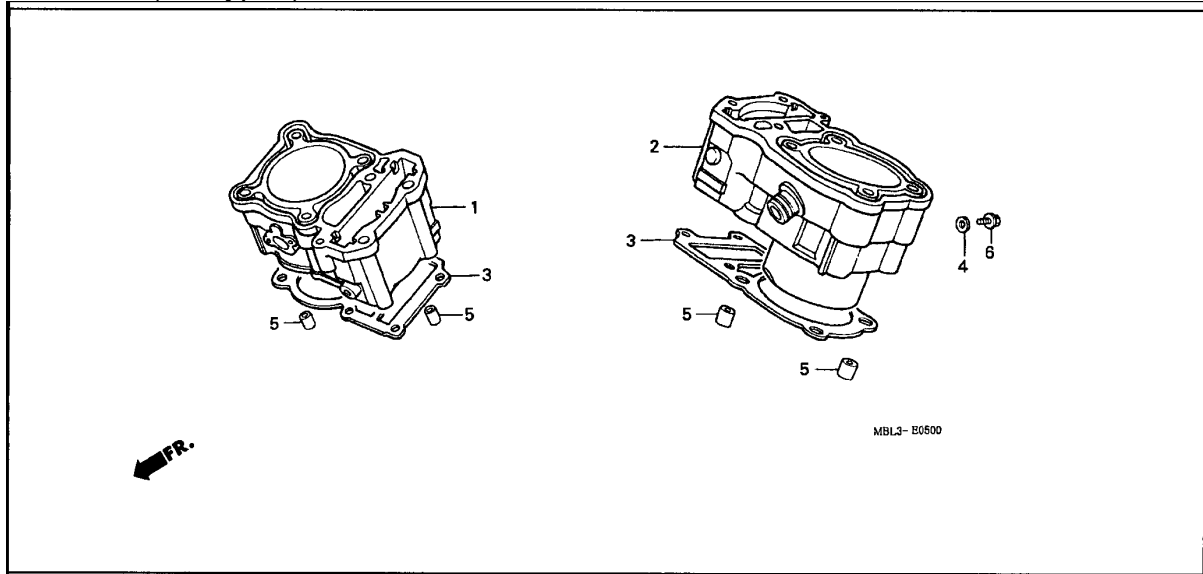
Service item	F.R.T.
ARM, VALVE ROCKER .....	1.0
(FR.CYLINDER SIDE 1.5)	
(ADD 0.1 FOR EACH.)	
(WHEN SERVICING COMP., UNIT,	
F.R.T. IS 2.3)	
CAMSHAFT COMP., RR. ....	1.3
(ADD 1.4 FOR EACH.)	
CAMSHAFT COMP., FR. ....	1.9
(ADD 0.8 FOR EACH.)	
SPRING, VALVE .....	2.7
(FR.CYLINDER SIDE 3.3)	
(ADD 0.1 FOR EACH.)	
(INC. RELATIVE PART)	
VALVE .....	2.9
(FR.CYLINDER SIDE 3.5)	
(ADD 0.2 FOR EACH.)	
(INC. REFACING)	
(EXC. VALVE GUIDE REPLACEMENT)	

Ref No	Part No	Description	Qty
1	12208-413-003	SEAL, VALVE STEM (ARAI)	4
2	12209-413-003	SEAL, VALVE STEM (ARAI)	2
3	14110-MBL-G00	CAMSHAFT COMP., FR.	1
4	14120-MBL-G00	CAMSHAFT COMP., RR.	1
5	14421-MR1-000	ARM A, IN. ROCKER	2
6	14422-MR1-000	ARM B, IN. ROCKER	2
7	14431-MR1-000	ARM, EX. VALVE ROCKER	2
8	14441-MF5-000	SHAFT, IN. ROCKER ARM	2
9	14451-MF5-000	SHAFT, EX. ROCKER ARM	2
10	14711-MBL-G00	VALVE, IN.	4
11	14721-MR1-000	VALVE, EX.	2
12	14751-MR1-003	SPRING, IN. VALVE INNER (CHUO HATSUJO)	4
13	14752-MR1-003	SPRING, EX. VALVE INNER (CHUO HATSUJO)	2
14	14761-MR1-003	SPRING, IN. VALVE OUTER (CHUO HATSUJO)	4
15	14762-MR1-003	SPRING, EX. VALVE OUTER (CHUO HATSUJO)	2
16	14771-MF5-000	RETAINER, IN. VALVE SPRING	4
17	14771-MR1-000	RETAINER, VALVE SPRING	2
18	14775-ME9-000	SEAT, VALVE SPRING	2
19	14775-MF5-000	SEAT, VALVE SPRING	4
20	14781-HA0-770	COTTER, VALVE	8
21	14781-MB9-000	COTTER, VALVE	4
22	90014-MF5-000	SCREW, TAPPET ADJUSTING	6
23	90206-590-000	NUT, TAPPET ADJUSTING	6
24	90402-428-000	WASHER, WAVE, 12MM	6



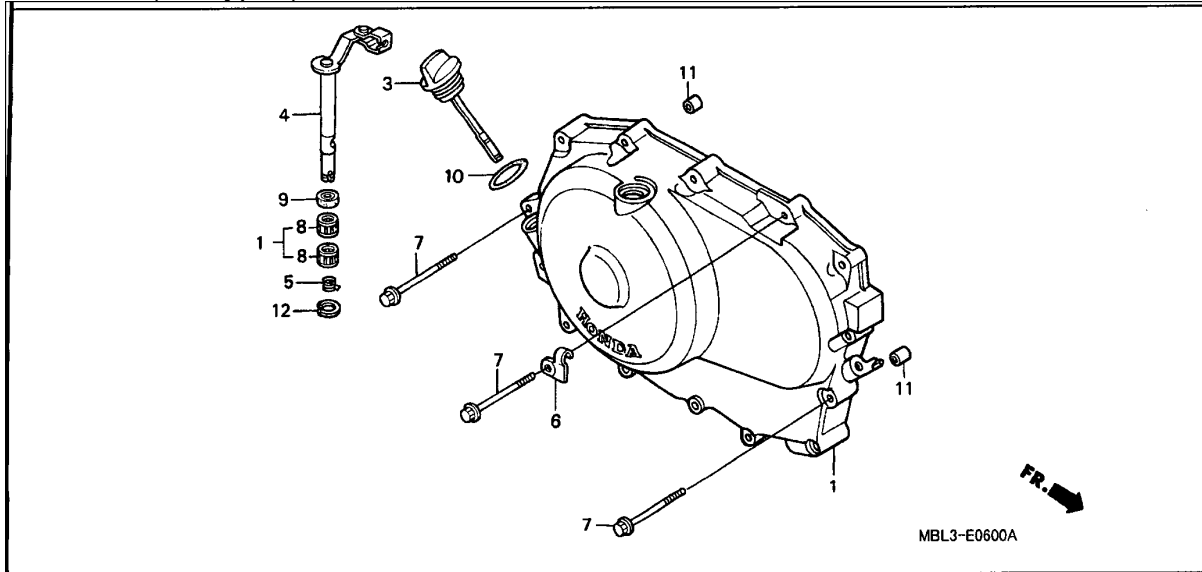
Service item	F.R.T.
SPROCKET, CAM ..... (FR.CYLINDER SIDE 1.5)	1.0
TENSIONER COMP., CAM CHAIN ... (FR.CYLINDER SIDE 1.7)	1.4
CHAIN, CAM ..... (RR.CYLINDER SIDE 2.7)	2.6
GUIDE, CAM CHAIN (FR.CYLINDER SIDE 3.2)	

Ref No	Part No	Description	Qty
1	14322-MCB-610	SPROCKET, CAM (40T)	2
2	14401-MAN-621	CHAIN, CAM (BORG WARNER)(118L)	2
3	14510-MR1-000	TENSIONER COMP., CAM CHAIN	2
4	14516-MG8-003	SPRING, CAM CHAIN TENSIONER (NIPPON HATSUJO)	2
5	14522-MV1-000	GUIDE, CAM CHAIN	2
6	14531-MN8-000	RUBBER, FR. CUSHION	1
7	14532-MN8-000	RUBBER, RR. CUSHION	1
8	14623-MBA-000	PLATE, TENSIONER SETTING	1
9	14623-MBA-000	PLATE, TENSIONER SETTING	1
10	90021-KE9-000	BOLT, SPECIAL, 6MM	4
11	90086-MZ8-H00	BOLT, FLANGE SPECIAL, 7X13	4
12	90441-706-000	WASHER, SEALING, 6MM	4
13	95701-06016-00	BOLT, FLANGE, 6X16	2



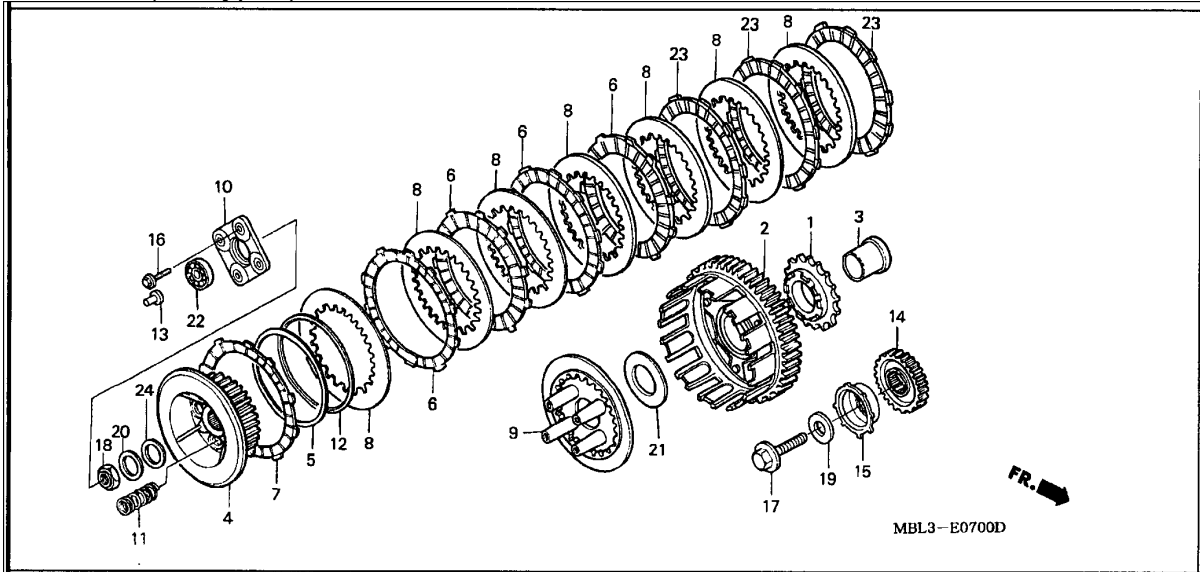
Service item	F.R.T.
GASKET, CYLINDER ..... (FR. CYLINDER SIDE 3.5)	2.9
CYLINDER COMP., RR. ....	3.1
CYLINDER COMP., FR. .... (ADD 1.5 FOR EACH.)	3.7

Ref No	Part No	Description	Qty
1	12110-MBL-G00	CYLINDER COMP., FR.	1
2	12120-MBL-G00	CYLINDER COMP., RR.	1
3	12191-MCB-611	GASKET, CYLINDER	2
5	94301-14200	DOWEL PIN, 14X20	4



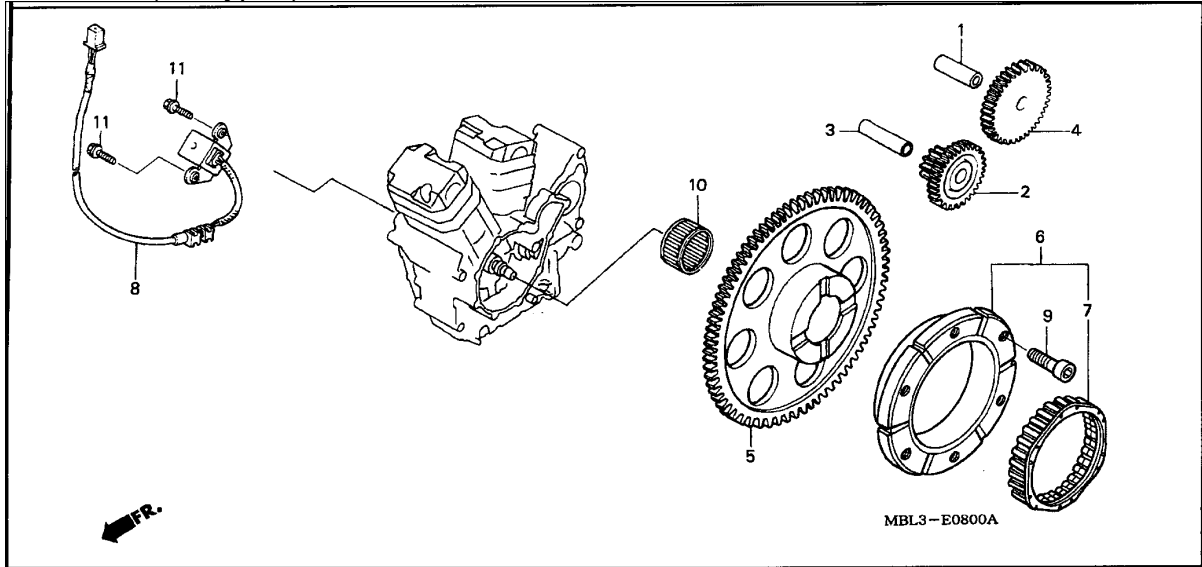
Service item	F.R.T.
COVER COMP., R. CRANKCASE	1.4
LEVER COMP., CLUTCH (INC. RELATIVE PART)	

Ref No	Part No	Description	Qty
1	11330-MBL-610	COVER COMP., R. CRANKCASE	1
3	15650-MN8-000	GAUGE COMP., OIL LEVEL	1
4	22810-MBS-000	LEVER COMP., CLUTCH	1
5	22815-413-000	SPRING, CLUTCH LEVER	1
6	22825-MZ8-B40	RECEIVER, CLUTCH WIRE	1
7	90006-GHB-700	BOLT, FLANGE, 6X35(NSHF)	14
8	91053-719-005	BEARING, NEEDLE, 12X16X10(NTN)	2
9	91204-KK0-003	OIL SEAL, 12X18X5(ARAI)	1
10	91301-250-000	O-RING, 21.5MM	1
11	94301-08140	DOWEL PIN, 8X14	2
12	94510-10000	CIRCLIP, EXTERNAL, 10MM	1



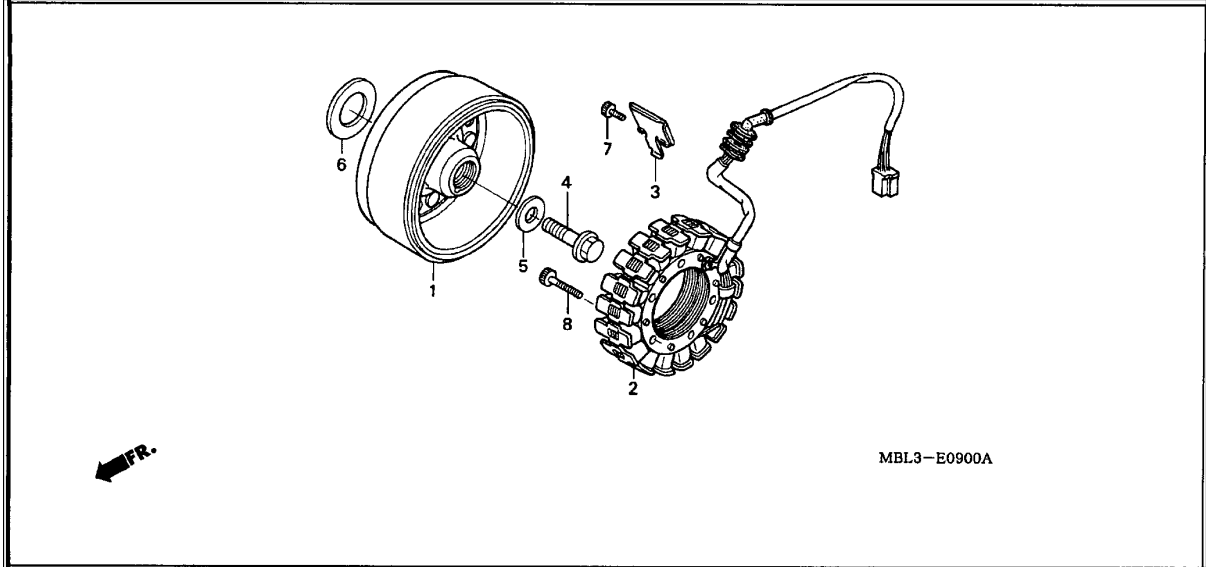
Service item	F.R.T.
ROD, CLUTCH LIFTER .....	1.3
SPRING, CLUTCH .....	1.4
(SAME TIME FOR TWO	
UNITS OR MORE)	
BEARING, RADIAL BALL, 6001 ...	1.5
.PLATE, CLUTCH LIFTER	
.ROTOR, PULSER	
CENTER, CLUTCH .....	1.6
.DISK, CLUTCH FRICTION	
(INC. RELATIVE PART)	
(SAME TIME FOR TWO	
UNITS OR MORE)	
.OUTER COMP., CLUTCH	
.PLATE, CLUTCH PRESSURE	
.SPROCKET, OIL PUMP DRIVE	
GEAR, PRIMARY DRIVE .....	1.7

Ref No	Part No	Description	Qty
1	15131-MR1-003	SPROCKET, OIL PUMP DRIVE (31T)	1
2	22100-MBL-610	OUTER COMP., CLUTCH	1
3	22116-MF5-000	COLLAR, PRIMARY DRIVEN	1
4	22120-MBA-000	CENTER, CLUTCH (24T)	1
5	22125-435-000	SEAT, JUDDER SPRING	1
6	22201-MAV-000	DISK, CLUTCH FRICTION	4
7	22202-MAE-000	DISK B, CLUTCH FRICTION	1
8	22321-MN8-000	PLATE, CLUTCH	7
9	22350-MS6-921	PLATE, CLUTCH PRESSURE	1
10	22361-MR1-000	PLATE, CLUTCH LIFTER	1
11	22401-MM9-000	SPRING, CLUTCH	4
12	22402-435-000	SPRING, JUDDER	1
13	22847-MZ8-H00	ROD, CLUTCH LIFTER	1
14	23103-MN8-910	GEAR, PRIMARY DRIVE (38T)	1
15	30211-MN8-910	ROTOR, PULSER	1
16	90007-MR1-000	BOLT, FLANGE SPECIAL, 6X30	4
17	90013-415-000	BOLT, UBS, 12X28	1
18	90236-HA0-000	NUT, LOCK, 18MM	1
19	90402-MCL-000	WASHER, 12.5X34X5	1
20	90432-428-000	WASHER, LOCK	1
21	90452-471-000	WASHER, THRUST, 22MM	1
22	96100-60010-00	BEARING, RADIAL BALL, 6001	1
23	22201-MAV-000	DISK, CLUTCH FRICTION	3
24	90401-MZ8-B40	WASHER, 18MM	1



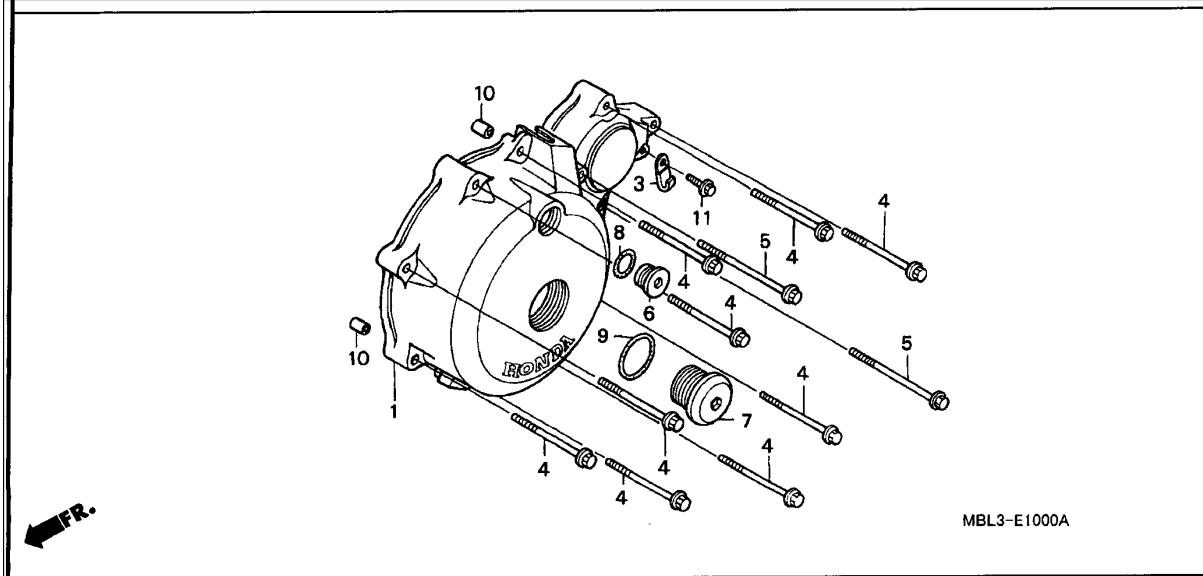
Service item	F.R.T.
GEAR, STARTER .....	0.7
GEAR, STARTER REDUCTION ..	0.9
GEAR COMP., STARTING DRIVEN ..	1.0
CLUTCH, ONE WAY .....	1.0
OUTER ASSY., STARTING CLUTCH ..	1.0
GENERATOR ASSY., PULSE .....	1.2

Ref No	Part No	Description	Qty
1	13111-122-000	PIN, PISTON, 10X33	1
2	28101-MN8-000	GEAR, STARTER REDUCTION (39/12T)	1
3	28102-ME9-000	PIN, 10X44	1
4	28106-ME9-010	GEAR, STARTER (51T)	1
5	28110-MCB-610	GEAR COMP., STARTING DRIVEN (88T)	1
6	28125-MBA-003	OUTER ASSY., STARTING CLUTCH (FUJI)	1
7	28126-MAA-A01	CLUTCH, ONE WAY	1
8	30300-MBL-610	GENERATOR ASSY., PULSE	1
9	90010-MAY-000	BOLT, SOCKET, 8MM	6
10	91021-MF5-841	BEARING, NEEDLE, 30X37X20(NTN)	1
11	95701-06020-00	BOLT, FLANGE, 6X20	2



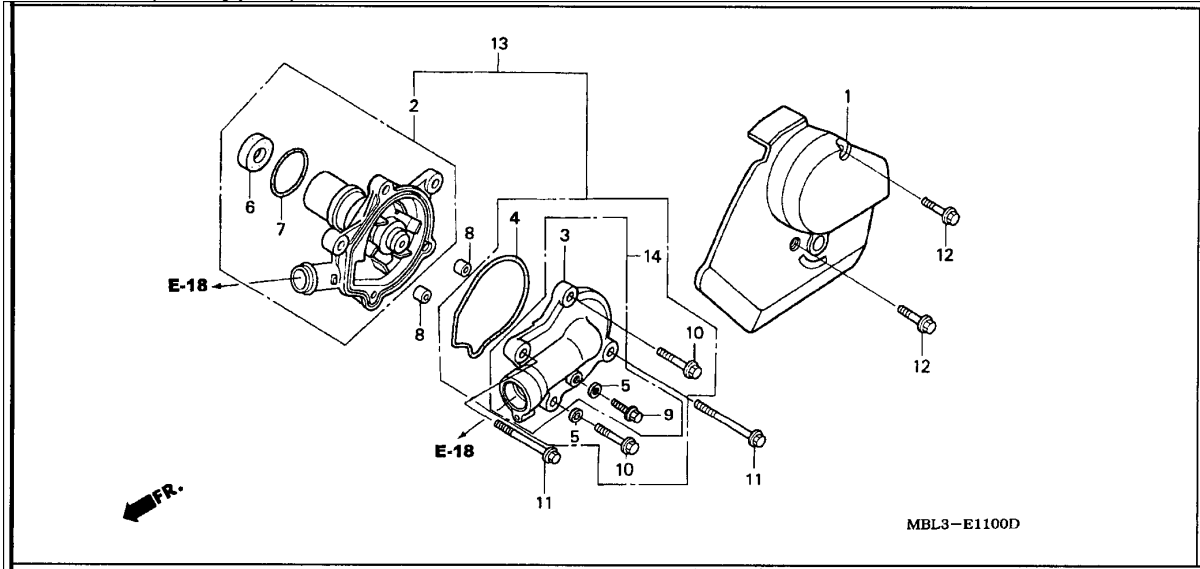
Service item	F.R.T.
FLYWHEEL COMP. ....	1.0
STATOR COMP.	

Ref No	Part No	Description	Qty
1	31110-MBL-G00	FLYWHEEL COMP.	1
2	31120-MBL-611	STATOR COMP.	1
3	32961-MN8-740	CLAMPER, A.C. GENERATOR CORD	1
4	90025-MN8-000	BOLT, FLANGE, 12X48	1
5	90402-MCL-000	WASHER, 12.5X34X5	1
6	41641-HC5-000	SHIM K, DIFFERENTIAL CASE (1.00)	1
7	96600-06012-00	BOLT, SOCKET, 6X12	1
8	96700-06032-00	BOLT, SOCKET, 6X32	4



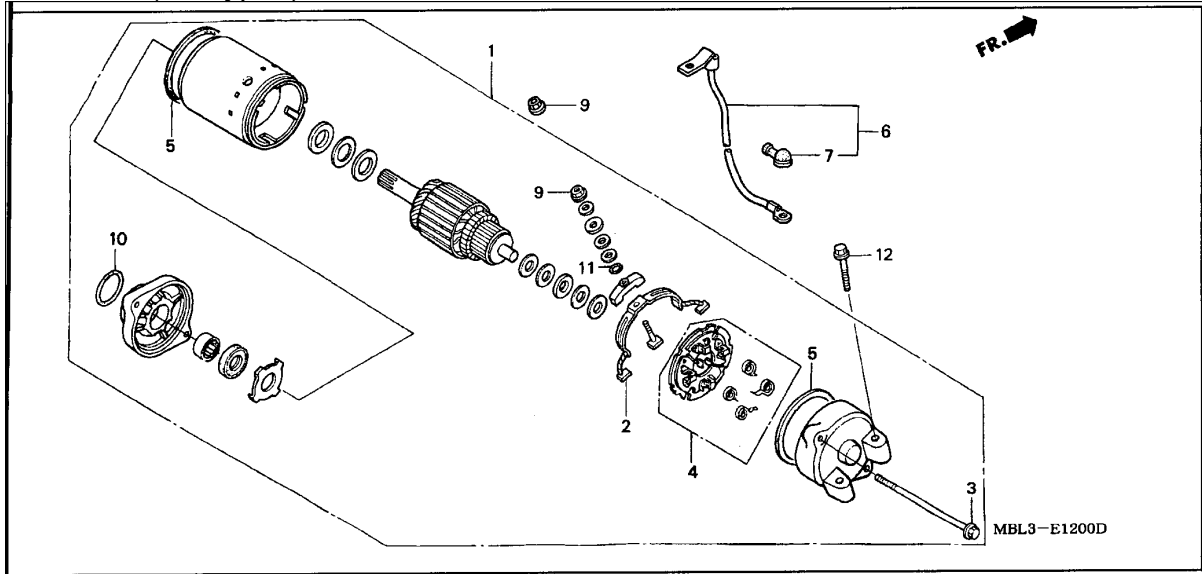
Service item	F.R.T.
COVER, L. CRANKCASE .....	0.8

Ref No	Part No	Description	Qty
1	11341-MBL-610	COVER, L. CRANKCASE	1
3	32925-958-000	CLIP, PULSER CORD	1
4	90006-GHB-700	BOLT, FLANGE, 6X35(NSHF)	9
5	90006-GHB-720	BOLT, FLANGE, 6X45(NSHF)	2
6	90084-MN8-010	CAP, 14MM	1
7	90087-KT7-000	CAP, 30MM	1
8	91303-377-000	O-RING, 13.8X2.5	1
9	91356-425-003	O-RING, 30MM	1
10	94301-08140	DOWEL PIN, 8X14	2
11	96001-06012-00	BOLT, FLANGE, 6X12	1



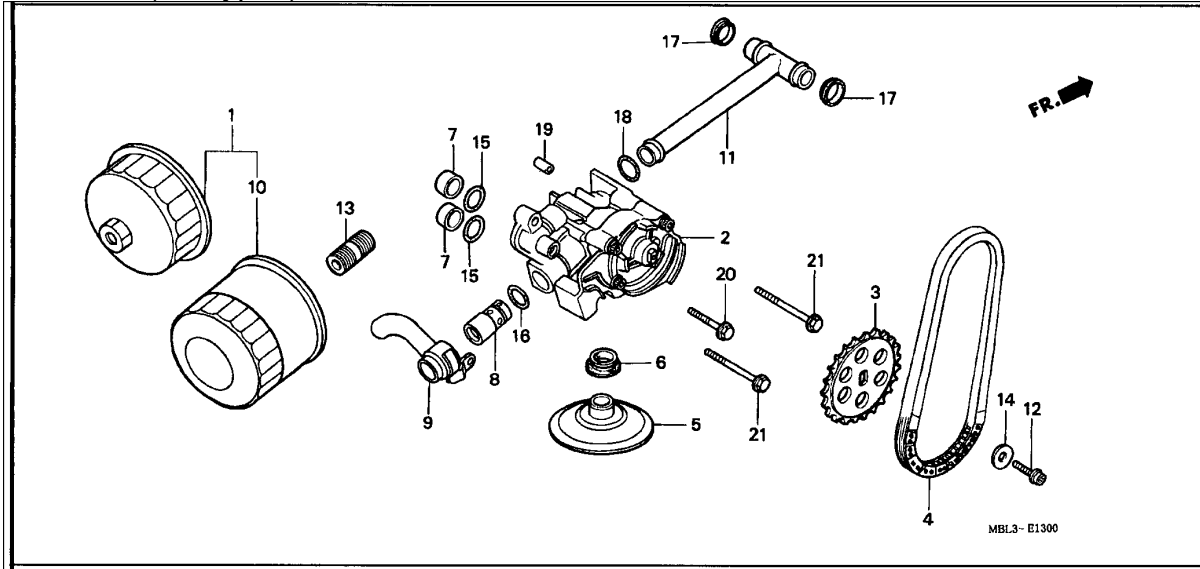
Service item	F.R.T.
COVER COMP., L. RR. ....	0.1
GASKET, WATER PUMP COVER .....	0.5
COVER ASSY., WATER PUMP .....	0.6
.COVER, WATER PUMP	
OIL SEAL, 12X28X7 .....	0.7
.PUMP ASSY., WATER	
.PUMP COMP., WATER	

Ref No	Part No	Description	Qty
1	11351-MBL-610	COVER, L. RR.	1
4	19226-MM9-000	GASKET, WATER PUMP COVER	1
5	90463-ML7-000	WASHER, SEALING, 6.5MM	2
6	91201-MV4-003	OIL SEAL, 12X26X7(ARAI)	1
7	91302-MB0-013	O-RING, 32.95X2.62 (ARAI)	1
9	90013-883-000	BOLT, FLANGE, 6X12(CT200)	1
10	90121-MV9-670	BOLT, FLANGE, 6X25	2
11	95701-06045-00	BOLT, FLANGE, 6X45	2
12	90006-GHB-660	BOLT, FLANGE, 6X22(NSHF)	2
13	19200-MBL-G00	PUMP ASSY., WATER	1
14	19220-MBL-G00	COVER ASSY., WATER PUMP	1



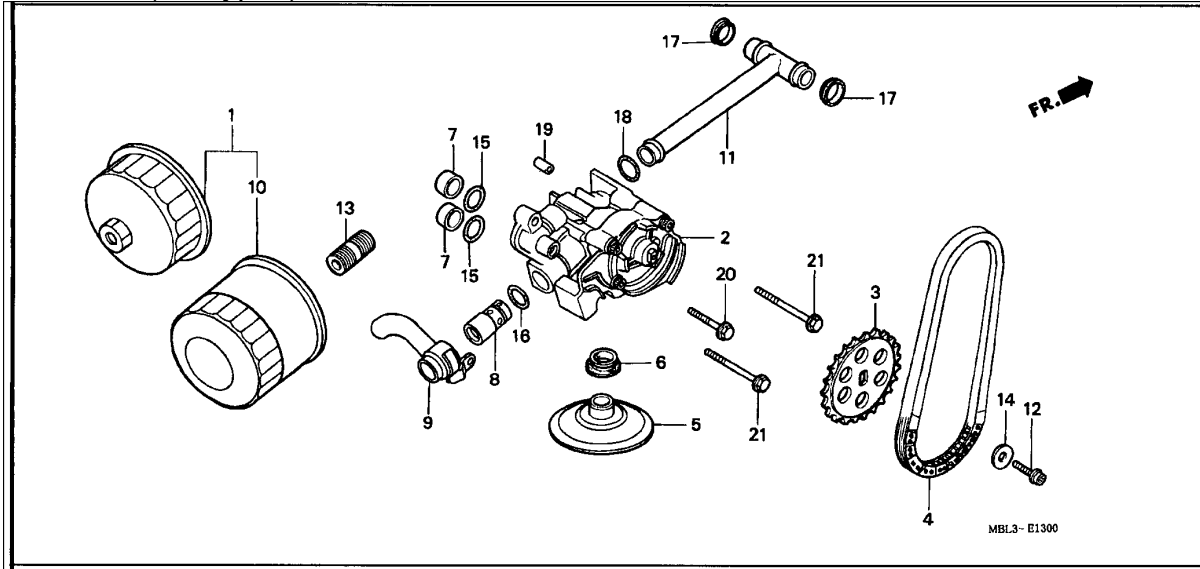
Service item	F.R.T.
CABLE, STARTER MOTOR .....	0.4
MOTOR ASSY., STARTING .....	1.0
HOLDER SET, BRUSH .....	1.3
TERMINAL SET, BRUSH	

Ref No	Part No	Description	Qty
1	31200-MW6-611	MOTOR ASSY., STARTING	1
2	31201-MR6-008	TERMINAL SET, BRUSH	1
3	31205-MR1-008	BOLT, SETTING	2
4	31206-MR6-008	HOLDER SET, BRUSH	1
5	31207-KS5-901	RING	2
6	32410-MBL-610	CABLE, STARTER MOTOR	1
7	32411-253-000	COVER, STARTER MOTOR TERMINAL	1
9	90071-MB0-000	NUT-WASHER, 6MM	2
10	91309-425-003	O-RING, 24.4X3.1 (ARAI)	1
11	91320-MB0-000	O-RING	1
12	95801-06032-00	BOLT, FLANGE, 6X32	2



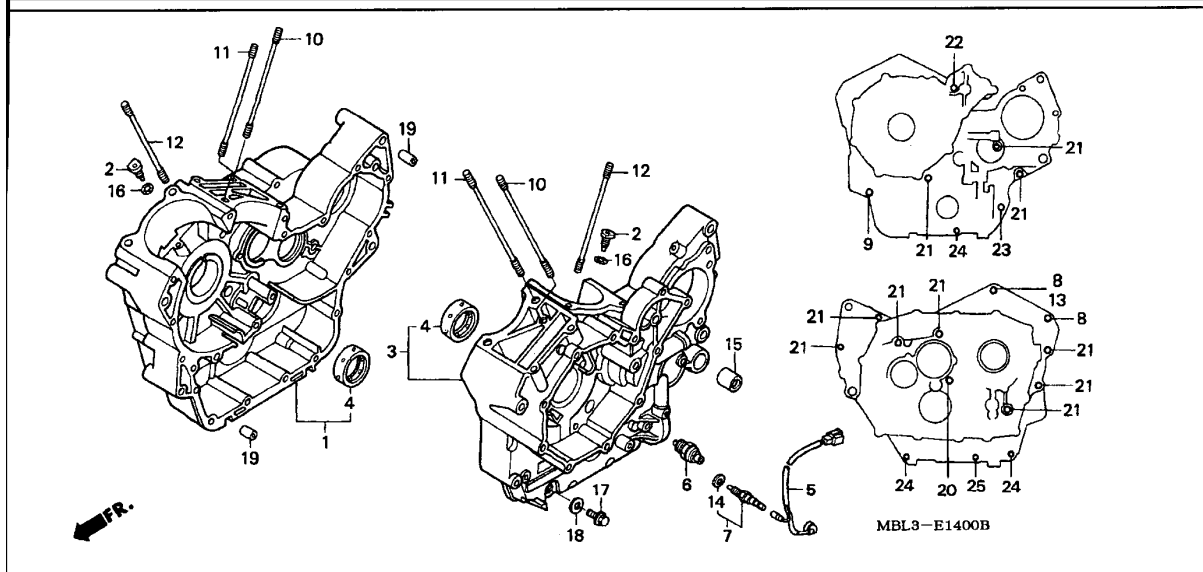
Service item	F.R.T.
CARTRIDGE, OIL FILTER .....	0.2
SPROCKET, OIL PUMP DRIVEN ....	1.4
CHAIN, OIL PUMP DRIVE .....	1.6
STRAINER COMP., OIL .....	*8.3
PUMP ASSY., OIL .....	*8.5
.VALVE ASSY., RELIEF	

Ref No	Part No	Description	Qty
1	15010-MW0-000	FILTER SET, OIL	[1]
2	15100-MY1-000	PUMP ASSY., OIL	1
3	15134-MR1-000	SPROCKET, OIL PUMP DRIVEN (27T)	1
4	15136-MR1-003	CHAIN, OIL PUMP DRIVE (70L)(BORG WARNER)	1
5	15153-MZ6-000	STRAINER COMP., OIL	1
6	15154-425-000	GASKET, OIL STRAINER	1
7	15155-300-000	COLLAR, O-RING	2
8	15220-MB0-010	VALVE ASSY., RELIEF	1
9	15240-MM9-000	PIPE, OIL RELIEF	1
10	15410-MM9-013	CARTRIDGE, OIL FILTER (TOYO ROKI)	1
11	15510-MY1-000	PIPE COMP., OIL	1
12	90009-MZ8-H00	BOLT, FLANGE SOCKET, 6X14	1
13	90019-MB0-000	BOSS, OIL FILTER	1
14	90488-MB0-000	WASHER, 6X2.3	1
15	91303-KF0-003	O-RING, 14.8X2.4 (ARAI)	2
16	91313-MB0-003	O-RING, 14.7X2.2(ARAI)	1
17	91315-MF5-003	SEAL, OIL PIPE	2
18	91319-300-000	O-RING, 13X2.5	1
19	94301-08140	DOWEL PIN, 8X14	1
20	95701-06028-00	BOLT, FLANGE, 6X28	1
21	95701-06045-00	BOLT, FLANGE, 6X45	2



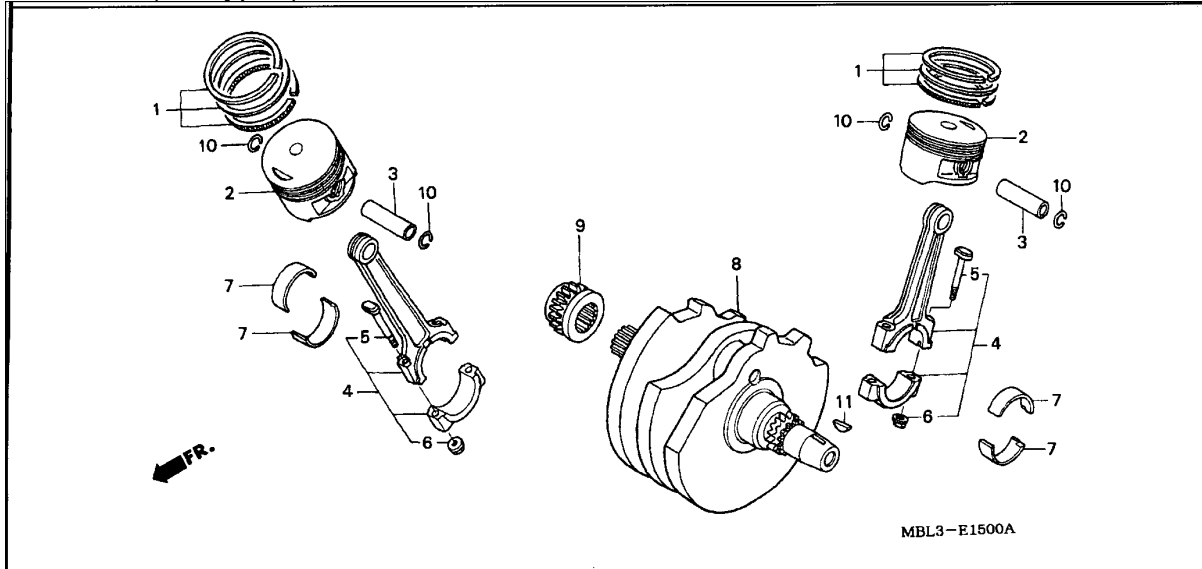
Service item	F.R.T.
CARTRIDGE, OIL FILTER .....	0.2
SPROCKET, OIL PUMP DRIVEN ....	1.4
CHAIN, OIL PUMP DRIVE .....	1.6
STRAINER COMP., OIL .....	*8.3
PUMP ASSY., OIL .....	*8.5
.VALVE ASSY., RELIEF	

Ref No	Part No	Description	Qty
1	15010-MW0-000	FILTER SET, OIL	[1]
2	15100-MY1-000	PUMP ASSY., OIL	1
3	15134-MR1-000	SPROCKET, OIL PUMP DRIVEN (27T)	1
4	15136-MR1-003	CHAIN, OIL PUMP DRIVE (70L)(BORG WARNER)	1
5	15153-MZ6-000	STRAINER COMP., OIL	1
6	15154-425-000	GASKET, OIL STRAINER	1
7	15155-300-000	COLLAR, O-RING	2
8	15220-MB0-010	VALVE ASSY., RELIEF	1
9	15240-MM9-000	PIPE, OIL RELIEF	1
10	15410-MM9-013	CARTRIDGE, OIL FILTER (TOYO ROKI)	1
11	15510-MY1-000	PIPE COMP., OIL	1
12	90009-MZ8-H00	BOLT, FLANGE SOCKET, 6X14	1
13	90019-MB0-000	BOSS, OIL FILTER	1
14	90488-MB0-000	WASHER, 6X2.3	1
15	91303-KF0-003	O-RING, 14.8X2.4 (ARAI)	2
16	91313-MB0-003	O-RING, 14.7X2.2(ARAI)	1
17	91315-MF5-003	SEAL, OIL PIPE	2
18	91319-300-000	O-RING, 13X2.5	1
19	94301-08140	DOWEL PIN, 8X14	1
20	95701-06028-00	BOLT, FLANGE, 6X28	1
21	95701-06045-00	BOLT, FLANGE, 6X45	2



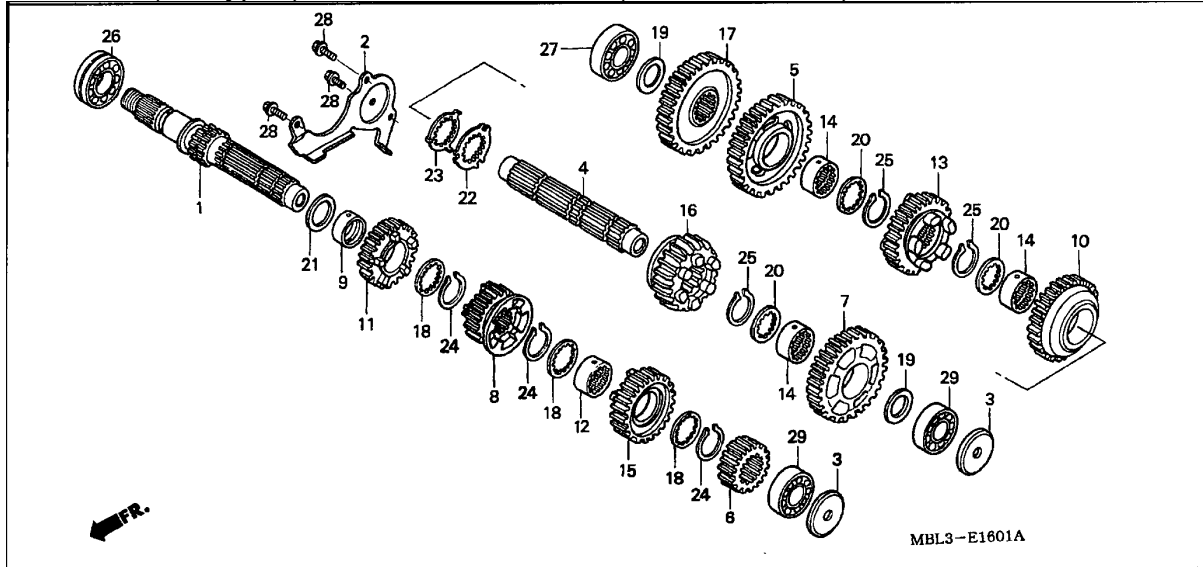
Service item	F.R.T.
SWITCH ASSY., NEUTRAL .....	0.3
SUB HARNESS A .....	0.4
SWITCH ASSY., OIL PRESSURE ...	0.5
CRANKCASE COMP., R. ....	*9.0
BEARING, MAIN .....	*9.2
(SAME TIME FOR TWO UNITS)	
CRANKCASE COMP., L. ....	*9.8

Ref No	Part No	Description	Qty
1	11100-MBL-G00	CRANKCASE COMP., R.	1
2	11146-MN8-000	JET, OIL	2
3	11200-MBL-G00	CRANKCASE COMP., L.	1
4	13325-MM9-315	BEARING A, MAIN (BLUE)	2
4	13326-MM9-315	BEARING B, MAIN (BLACK)	2
4	13327-MM9-315	BEARING C, MAIN (BROWN)	2
5	32101-MBL-610	SUB HARNESS A	1
6	35500-MJ4-024	SWITCH ASSY., OIL PRESSURE (DENSO)	1
7	35600-MAW-601	SWITCH ASSY., NEUTRAL (TEC)	1
8	90002-MM9-000	BOLT, FLANGE, 8X140	2
9	90008-KE9-000	BOLT, FLANGE, 8X70	1
10	90011-MZ8-B40	BOLT, STUD, 8X189	2
11	90012-MCB-610	BOLT, STUD, 12X177	2
12	90013-MZ8-B40	BOLT, STUD, 10X177	6
13	90441-ML9-000	WASHER, SEALING, 8MM	1
14	90443-KR0-000	WASHER, NEUTRAL SWITCH	1
15	91204-425-003	OIL SEAL, 12.5X25X8(ARAI)	1
16	91305-MG7-003	O-RING, 5X1.7(ARAI)	2
17	92800-14000	BOLT, DRAIN PLUG, 14MM	1
18	94109-14000	WASHER, DRAIN PLUG, 14MM	1
19	94301-14200	DOWEL PIN, 14X20	2
20	95701-08065-00	BOLT, FLANGE, 8X65	1
21	95701-08080-00	BOLT, FLANGE, 8X80	10
22	95701-08125-00	BOLT, FLANGE, 8X125	1
23	96001-06035-00	BOLT, FLANGE, 6X35	1
24	96001-06050-00	BOLT, FLANGE, 6X50	3
25	96001-06080-00	BOLT, FLANGE, 6X80	1



Service item	F.R.T.
SPROCKET, CAM CHAIN DRIVE ....	2.6
PIN, PISTON .....	3.0
(FR. CYLINDER SIDE 3.6)	
(WHEN SERVICING COMP., UNIT,	
F.R.T. IS 5.0)	
PISTON .....	3.1
(FR. CYLINDER SIDE 3.7)	
(WHEN SERVICING COMP., UNIT,	
F.R.T. IS 5.2.)	
.RING SET, PISTON	
(FR. CYLINDER SIDE 3.7)	
(WHEN SERVICING COMP., UNIT,	
F.R.T. IS 5.2.)	
BEARING, CONNECTING ROD .....	*8.4
(ADD 0.2 FOR EACH.)	
ROD ASSY., CONNECTING .....	*8.5
(ADD 0.3 FOR EACH.)	
CRANKSHAFT COMP. ....	*8.9

Ref No	Part No	Description	Qty
1	13011-MBA-A40	RING SET, PISTON (STD.)	2
1	13021-MBA-A40	RING SET, PISTON (0.25)	[2]
1	13031-MBA-A40	RING SET, PISTON (0.50)	[2]
2	13101-MCB-610	PISTON (STD.)	2
2	13102-MCB-305	PISTON (0.25)	[2]
2	13103-MCB-305	PISTON (0.50)	[2]
3	13111-MB0-000	PIN, PISTON	2
4	13210-MBL-G00	ROD ASSY., CONNECTING	2
5	13213-463-003	BOLT, CONNECTING ROD (NAGOYA RASHI)	4
6	13215-ML7-000	NUT, CONNECTING ROD	4
7	13216-MF5-003	BEARING A, CONNECTING ROD (BLUE)	4
7	13217-MF5-003	BEARING B, CONNECTING ROD (BLACK)	4
7	13218-MF5-003	BEARING C, CONNECTING ROD (BROWN)	4
8	13300-MCB-610	CRANKSHAFT COMP.	1
9	14311-MCB-610	SPROCKET, CAM CHAIN DRIVE (21T)	1
10	13112-MF5-000	CLIP, PISTON PIN, 18MM	4
11	90741-413-000	KEY, WOODRUFF, 25X14	1

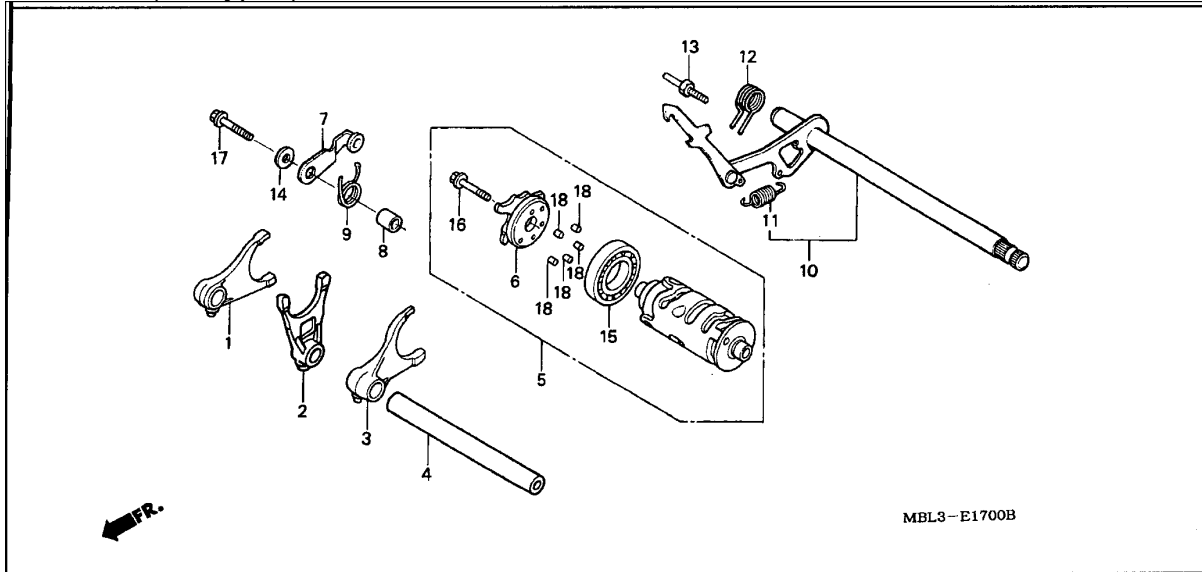


Service item	F.R.T.	Service item	F.R.T.
COUNTERSHAFT .....	*8.4	COUNTERSHAFT .....	*8.4
(INC. RELATIVE PART)		(INC. RELATIVE PART)	
(WHEN SERVICING COMP., UNIT,		(WHEN SERVICING COMP., UNIT,	
F.R.T. IS 8.6)		F.R.T. IS 8.6)	
.MAINSHAFT COMP.		.MAINSHAFT COMP.	
(INC. RELATIVE PART)		(INC. RELATIVE PART)	

Service item	F.R.T.
COUNTERSHAFT .....	*8.4
(INC. RELATIVE PART)	
(WHEN SERVICING COMP., UNIT,	
F.R.T. IS 8.6)	
.MAINSHAFT COMP.	
(INC. RELATIVE PART)	

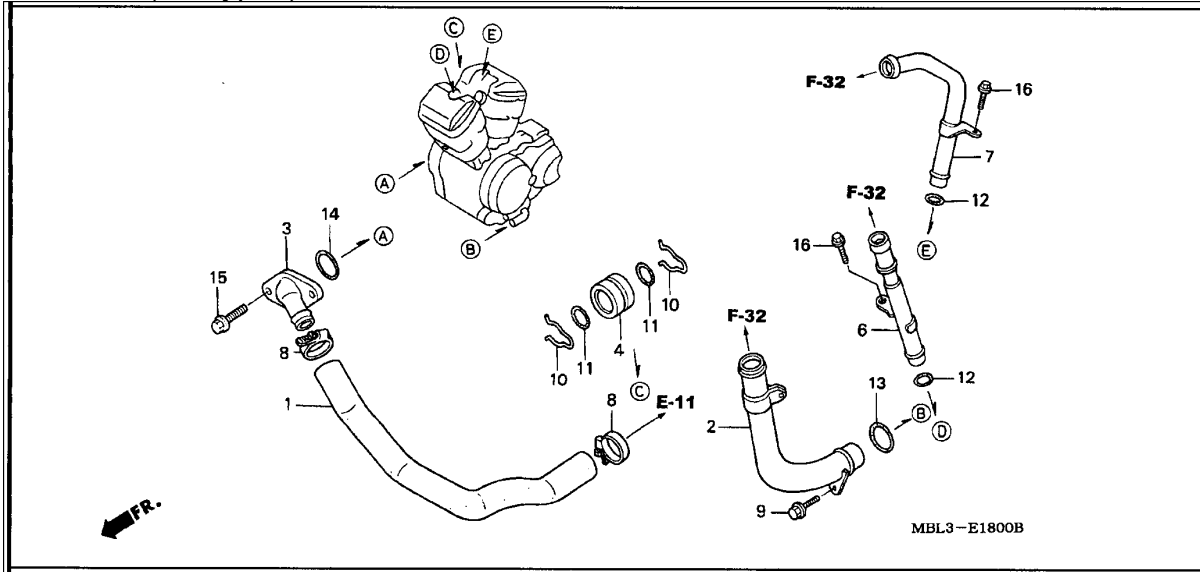
Ref No	Part No	Description	Qty
1	23210-MBL-610	MAINSHAFT COMP. (11T)	1
2	23212-MS6-920	PLATE, BEARING SETTING	1
3	23219-MF5-000	PLATE, OIL GUIDE	2
4	23220-MBL-G00	COUNTERSHAFT	1
5	23421-MBL-G00	GEAR, COUNTERSHAFT FIRST (33T)	1
6	23431-MBL-610	GEAR, MAINSHAFT SECOND (17T)	1
7	23441-MBL-G00	GEAR, COUNTERSHAFT SECOND (33T)	1
8	23451-MS9-000	GEAR, MAINSHAFT THIRD (20T)	1
9	23455-MM9-000	BUSH, 25X28X15	1
10	23461-MBL-G00	GEAR, COUNTERSHAFT THIRD (30T)	1
11	23471-MS9-010	GEAR, MAINSHAFT FOURTH (25T)	1
12	23472-MR1-000	COLLAR, SPLINE, 25X28X15	1
13	23481-MBL-G00	GEAR, COUNTERSHAFT FOURTH (31T)	1
14	23482-MBL-G00	COLLAR, SPLINE, 28X11.5	3
15	23491-MBL-610	GEAR, MAINSHAFT FIFTH (21T)	1
16	23501-MBL-G00	GEAR, COUNTERSHAFT FIFTH (23T)	1
17	23725-MBL-G00	GEAR, FINAL DRIVE (39T)	1
18	90451-KY2-000	WASHER, SPLINE, 25X31X1.5	3

Ref No	Part No	Description	Qty
19	90451-704-000	WASHER A, THRUST, 20MM	2
20	90452-MR7-000	WASHER, SPLINE, 28X34X1.5	3
21	90456-MA6-000	WASHER, THRUST, 25MM	1
22	90463-MR7-000	WASHER, SPLINE, 28MM	1
23	90464-MR7-000	WASHER, LOCK, 28MM	1
24	90601-107-000	CIRCLIP, 25MM	3
25	90603-MN4-000	CIRCLIP, 28MM	3
26	91001-MN8-911	BEARING, RADIAL BALL, 63/22 (FUJIKOSHI)	1
27	91102-GE1-711	BEARING, RADIAL BALL, 6204 (TOYO)	1
28	95701-06016-00	BOLT, FLANGE, 6X16	3
29	96100-62040-00	BEARING, RADIAL BALL, 6204	2



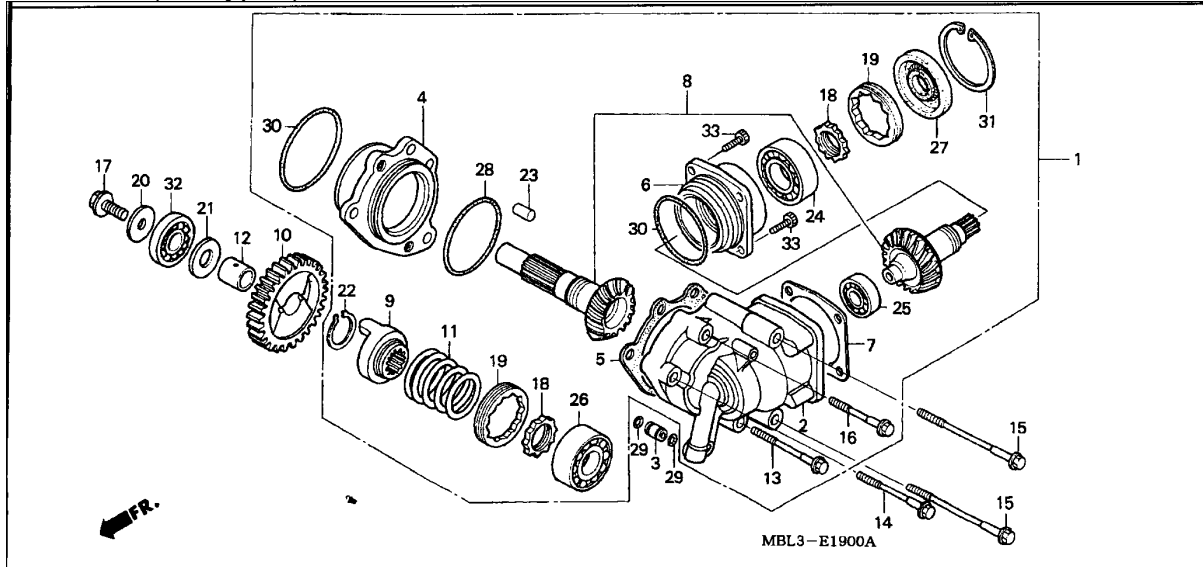
Service item	F.R.T.
SPRING, GEARSHIFT RETURN .....	1.4
STOPPER COMP., GEARSHIFT DRUM (INC. RELATIVE PART)	1.6
ARM COMP., GEARSHIFT .....	1.7
PLATE COMP., CAM	
FORK, GEARSHIFT .....	*8.3
(SAME TIME FOR TWO UNITS OR MORE)	
DRUM COMP., GEARSHIFT .....	*8.4

Ref No	Part No	Description	Qty
1	24211-MZ8-B40	FORK, R. GEARSHIFT	1
2	24212-MZ8-B40	FORK, CENTER GEARSHIFT	1
3	24213-MZ8-B40	FORK, L. GEARSHIFT	1
4	24241-MBL-610	SHAFT, SHIFT FORK	1
5	24300-MBL-610	DRUM COMP., GEARSHIFT	1
6	24301-MM9-300	PLATE COMP., CAM	1
7	24430-MF5-000	STOPPER COMP., GEARSHIFT DRUM	1
8	24432-413-000	COLLAR, GEARSHIFT DRUM STOPPER	1
9	24435-MM9-000	SPRING, SHIFT DRUM STOPPER	1
10	24610-MBL-610	ARM COMP., GEARSHIFT	1
11	24641-216-000	SPRING, GEARSHIFT ARM	1
12	24651-MB0-010	SPRING, GEARSHIFT RETURN	1
13	24652-259-000	PIN, SHIFT RETURN SPRING	1
14	90488-MB0-000	WASHER, 6X2.3	1
15	91008-374-003	BEARING, BALL, 16005 (NTN)	1
16	95701-06022-00	BOLT, FLANGE, 6X22	1
17	95801-06028-00	BOLT, FLANGE, 6X28	1
18	96220-40118	ROLLER, 4X11.8	5



Service item	F.R.T.
HOSE, MAIN WATER .....	0.6
JOINT, WATER HOSE	
PIPE COMP., IN. WATER	
O-RING, 18X2.6 .....	0.8
PIPE, RR. WATER OUTLET .....	0.9
PIPE, FR. OUTLET WATER .....	1.1

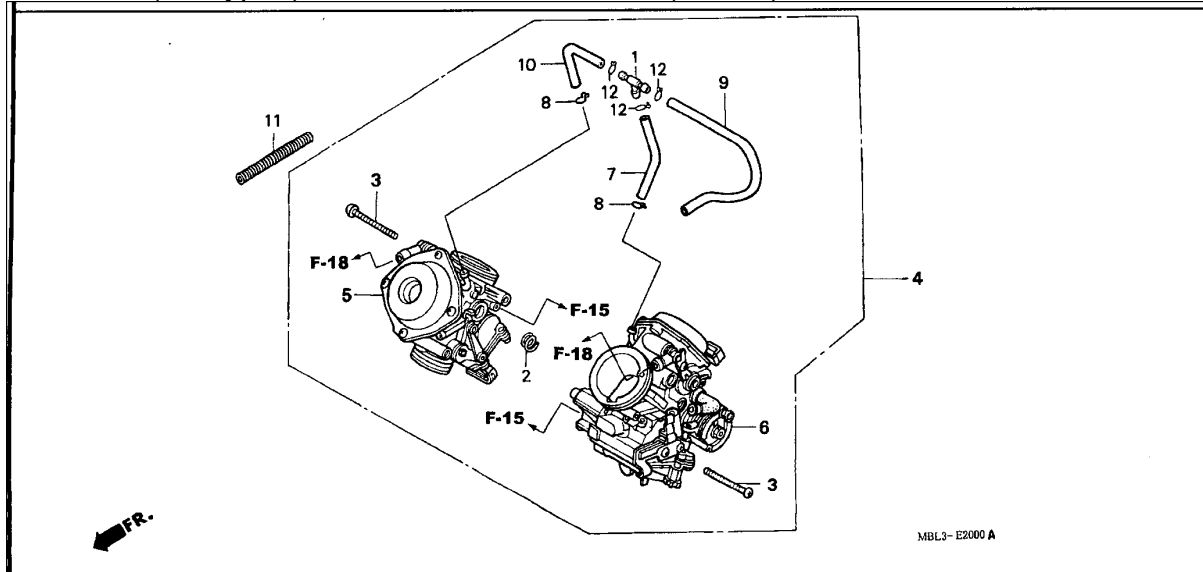
Ref No	Part No	Description	Qty
1	19501-MN8-000	HOSE, MAIN WATER	1
2	19502-MBL-730	PIPE COMP., IN. WATER	1
3	19503-MR1-000	JOINT, WATER HOSE	1
4	19505-MAA-A00	JOINT, WATER	1
6	19511-MN8-740	PIPE, FR. OUTLET WATER	1
7	19512-MN8-910	PIPE, RR. WATER OUTLET	1
8	19516-ML7-691	CLAMP, HOSE, 24-32MM	2
9	96001-06016-00	BOLT, FLANGE, 6X16	1
10	90601-MAA-A00	CLIP, RING, 22MM	2
11	91310-MB0-003	O-RING, 21.5X2	2
12	91315-MN8-000	SEAL, WATER PIPE, 16MM	2
13	91318-500-000	O-RING, 27X2.7	1
14	91356-169-003	O-RING	1
15	95701-06020-00	BOLT, FLANGE, 6X20	2
16	96001-06012-00	BOLT, FLANGE, 6X12	2



Service item	F.R.T.
OIL SEAL, 25X66X8.5 .....	2.0
BEARING, BALL, 6303 .....	2.4
SHIM, CROSS SHAFT .....	3.0
BEARING, BALL, 5206 .....	3.2
.HOLDER, CROSS SHAFT BEARING	
SHIM, FINAL DRIVESHAFT .....	*5.3
BEARING, RADIAL BALL, 6204 ...	*8.3
.GEAR, DAMPER SHAFT	
CASE ASSY., SIDE GEAR .....	*8.5
.LIFTER, DAMPER	
.SPRING, DAMPER	
BEARING, RADIAL BALL, 5206 ...	*8.8
.HOLDER, FINAL DRIVESHAFT	
BEARING	
SHAFT SET, FINAL DRIVE .....	*9.0

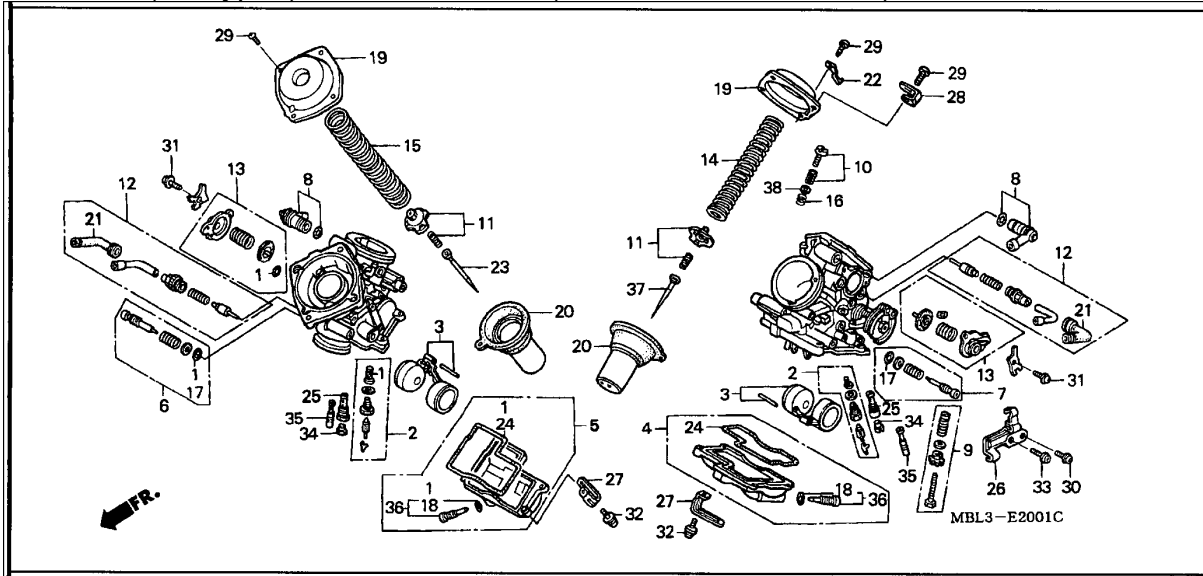
Ref No	Part No	Description	Qty
1	21100-MS9-750	CASE ASSY., SIDE GEAR	1
2	21200-MS9-750	CASE COMP., SIDE GEAR	1
3	21215-ME9-000	ORIFICE, SIDE GEAR CASE	1
4	21281-MS9-750	HOLDER, FINAL DRIVESHAFT BEARING	1
5	21315-MS9-000	SHIM, FINAL DRIVESHAFT (0.60)	1
5	21311-MS9-000	SHIM, FINAL DRIVESHAFT (0.40)	1
5	21312-MS9-000	SHIM, FINAL DRIVESHAFT (0.45)	1
5	21313-MS9-000	SHIM, FINAL DRIVESHAFT (0.50)	1
5	21314-MS9-000	SHIM, FINAL DRIVESHAFT (0.55)	1
6	21371-MS9-000	HOLDER, CROSS SHAFT BEARING	1
7	21379-MB0-770	SHIM, CROSS SHAFT (0.30)	1
7	21380-MB0-770	SHIM, CROSS SHAFT (0.35)	1
7	21381-MB0-770	SHIM, CROSS SHAFT (0.40)	1
7	21382-MB0-770	SHIM, CROSS SHAFT (0.45)	1
7	21383-MB0-770	SHIM, CROSS SHAFT (0.50)	1
7	21384-MB0-770	SHIM, CROSS SHAFT (0.55)	1
7	21385-MB0-770	SHIM, CROSS SHAFT (0.60)	1
7	21377-MB0-770	SHIM, CROSS SHAFT (0.20)	1
7	21378-MB0-770	SHIM, CROSS SHAFT (0.25)	1
8	23200-MS9-750	SHAFT SET, FINAL DRIVE	1
9	23721-ME9-000	LIFTER, DAMPER	1
10	23726-MBL-610	GEAR, DAMPER SHAFT (32T)	1
11	23732-MS9-750	SPRING, DAMPER	1
12	23733-MS9-000	COLLAR, 20X24X19.8	1
13	90063-MB0-003	BOLT, UBS, 8X60	1
14	90029-MBL-610	BOLT, UBS, 8X65	1
15	90030-MBL-610	BOLT, UBS, 8X110	2
16	90065-HA8-680	BOLT, UBS, 8X45	1

Ref No	Part No	Description	Qty
17	90037-ME9-000	BOLT, SPECIAL, 10MM	1
18	90241-MB0-000	NUT, LOCK, 30MM	2
19	90242-MB0-000	NUT, LOCK, 64MM	2
20	90409-952-000	WASHER, 10MM	1
21	90451-704-000	WASHER A, THRUST, 20MM	1
22	90602-463-000	CIRCLIP, EXTERNAL, 28MM	1
23	90701-MG8-000	DOWEL PIN, 10X24	1
24	91008-300-008	BEARING, BALL, 5206(TOYO)	1
25	91011-MB0-003	BEARING, BALL, 6303(KOYO)	1
25	91011-MB0-004	BEARING, BALL, 6303(TOYO)	1
26	91012-MG7-003	BEARING, RADIAL BALL, 5206	1
27	91205-MG7-003	OIL SEAL, 25X66X8.5(ARAI)	1
28	91301-MS9-003	O-RING, 64X2.5	1
29	91307-422-000	O-RING, 4.9X1.9	2
30	91314-MG7-003	O-RING, 69.5X3(ARAI)	2
31	94520-65120	CIRCLIP, INTERNAL, 65MM	1
32	96100-62040-00	BEARING, RADIAL BALL, 6204	1
33	96700-08022-17	BOLT, SOCKET, 8X22	4



Service item	F.R.T.
CARBURETOR ASSY. ....	1.2
CARBURETOR ASSY., FR. ....	1.5
CARBURETOR ASSY., RR.	

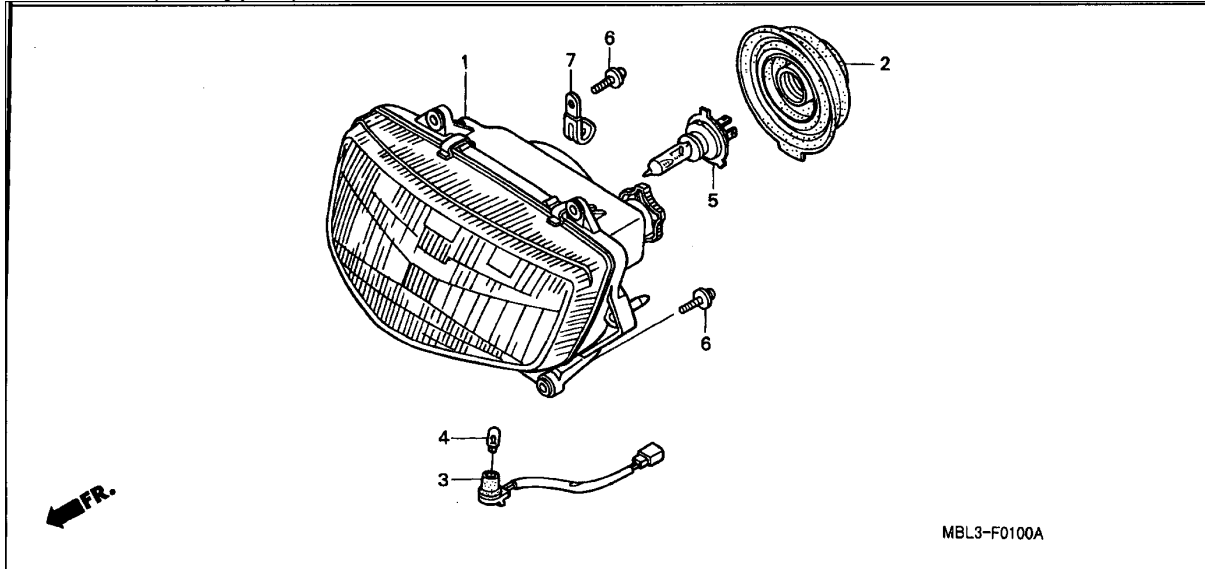
Ref No	Part No	Description	Qty
1	16026-MN8-004	T-JOINT	1
2	16053-MG7-601	SPRING	1
3	16082-ME9-671	SCREW, PAN	2
4	16100-MBL-G01	CARBURETOR ASSY. (VDK1E A)	1
5	16101-MBL-G01	CARBURETOR ASSY., FR.	1
6	16102-MBL-G01	CARBURETOR ASSY., RR.	1
7	16143-MN8-014	TUBE	1
8	16163-KM4-004	CLIP, TUBE	2
9	16144-MBL-731	TUBE	1
10	16199-MN8-672	TUBE	1
11	16970-MN8-000	WIRE, TUBE GUARD (A)	1
12	95002-02109	CLIP, TUBE (B10)	3



Service item	F.R.T.
VALVE SET, AIR CUT .....	0.8
NEEDLE COMP., JET .....	0.9
(ADD 0.2 FOR EACH.)	
.PISTON COMP., VACUUM	
(ADD 0.2 FOR EACH.)	
.VALVE SET, STARTER	
(ADD 0.2 FOR EACH.)	
CHAMBER SET, FLOAT .....	1.1
(ADD 0.1 FOR EACH.)	
FLOAT SET .....	1.2
(ADD 0.2 FOR EACH.)	
.JET, MAIN,	
(ADD 0.2 FOR EACH.)	
.VALVE SET, FLOAT	
(ADD 0.2 FOR EACH.)	

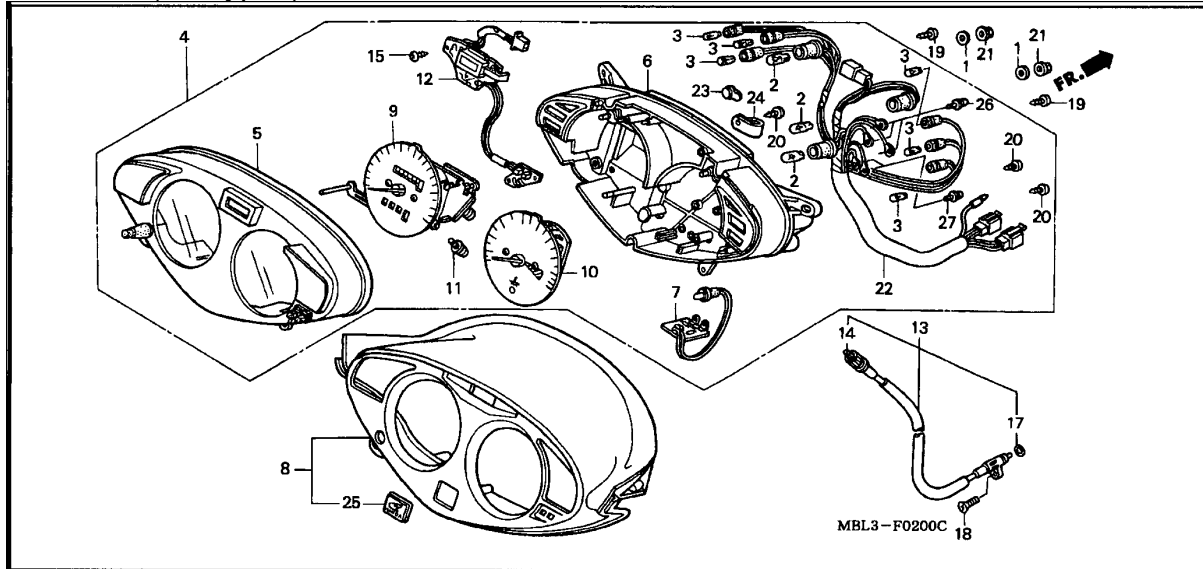
Ref No	Part No	Description	Qty
1	16010-MBL-610	GASKET SET	2
2	16011-MZ6-730	VALVE SET, FLOAT	2
3	16013-ML7-004	FLOAT SET, FLOAT	2
4	16015-MBL-731	CHAMBER SET, FLOAT	1
5	16015-MBL-731	CHAMBER SET, FLOAT	1
6	16016-MBL-G01	SCREW SET	1
7	16017-MBL-G01	SCREW SET	1
8	16026-MR1-004	JOINT SET	2
9	16028-MN8-910	SCREW SET	1
10	16029-MN4-003	SCREW SET	1
11	16037-MN9-004	PLATE SET, VALVE	2
12	16046-MZ6-730	VALVE SET, STARTER	2
13	16048-MBL-610	VALVE SET, AIR CUT	2
14	16051-MBL-610	SPRING, COMPRESSION COIL	1
15	16050-MBL-G01	SPRING, COMPRESSION COIL	1
16	16052-ME9-672	SPRING	1
17	16075-KG8-901	O-RING, AIR SLOW	2
18	16076-ND5-004	O-RING, 1.3X4.3	2
19	16107-MM8-004	TOP COMP.	2
20	16111-MBL-G01	PISTON COMP., VACUUM	2
21	16118-ME9-671	CAP, CABLE SEALING	2
22	16119-KM4-004	BINDER	1
23	16151-MBL-G01	NEEDLE COMP., JET	1
24	16163-MAH-750	GASKET, FLOAT CHAMBER	2
25	16165-MBL-G01	HOLDER, NEEDLE JET	2
26	16169-MM9-621	STAY COMP., WIRE	1

Ref No	Part No	Description	Qty
27	16179-ME9-751	BINDER	2
28	17191-MN5-740	CLIP, PLATE	1
29	93500-04010-1A	SCREW, PAN, 4X10	8
30	93892-04008-10	SCREW-WASHER, 4X8	1
31	93892-04012-10	SCREW-WASHER, 4X12	4
32	93892-04016-10	SCREW-WASHER, 4X16	8
33	93892-05012-10	SCREW-WASHER, 5X12	1
34	99101-393-1250	JET, MAIN, #125	2
35	99103-MT2-0420	JET, SLOW, #42	2
36	16024-MBL-731	SCREW SET, DRAIN	2
37	16131-MBL-G01	NEEDLE COMP., JET	1
38	16066-MBL-G01	COLLAR, SPRING	1



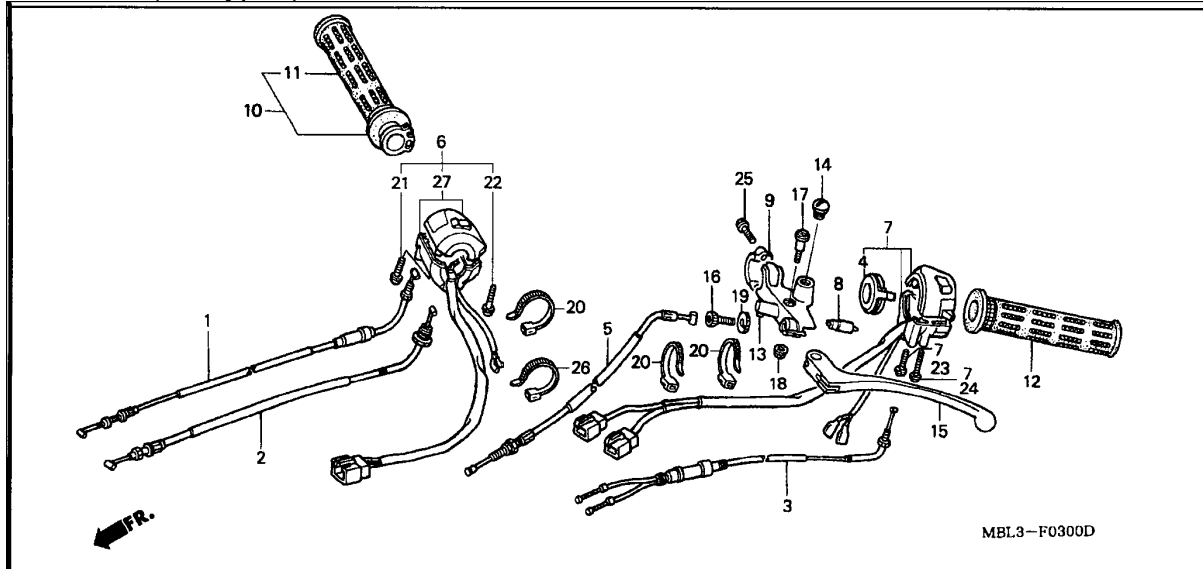
Service item	F.R.T.
BULB .....	0.1
BULB, HEADLIGHT .....	0.2
.SOCKET COMP., POSITION LIGHT	
HEADLIGHT UNIT .....	0.4

Ref No	Part No	Description	Qty
1	33120-MBL-D01	HEADLIGHT UNIT	1
1	33120-MBL-E01	HEADLIGHT UNIT	1
2	33126-SE3-003	COVER, RUBBER	1
3	33150-MBL-611	SOCKET COMP., POSITION LIGHT	1
4	33301-SA0-741	BULB (12V 5W)(STANLEY)	1
5	34901-MC7-602	BULB, HEADLIGHT (STANLEY)(12V 60/55W)	1
6	93894-05018-08	SCREW-WASHER, 5X18	4
7	17215-MG9-950	CLAMP A, TUBE	1



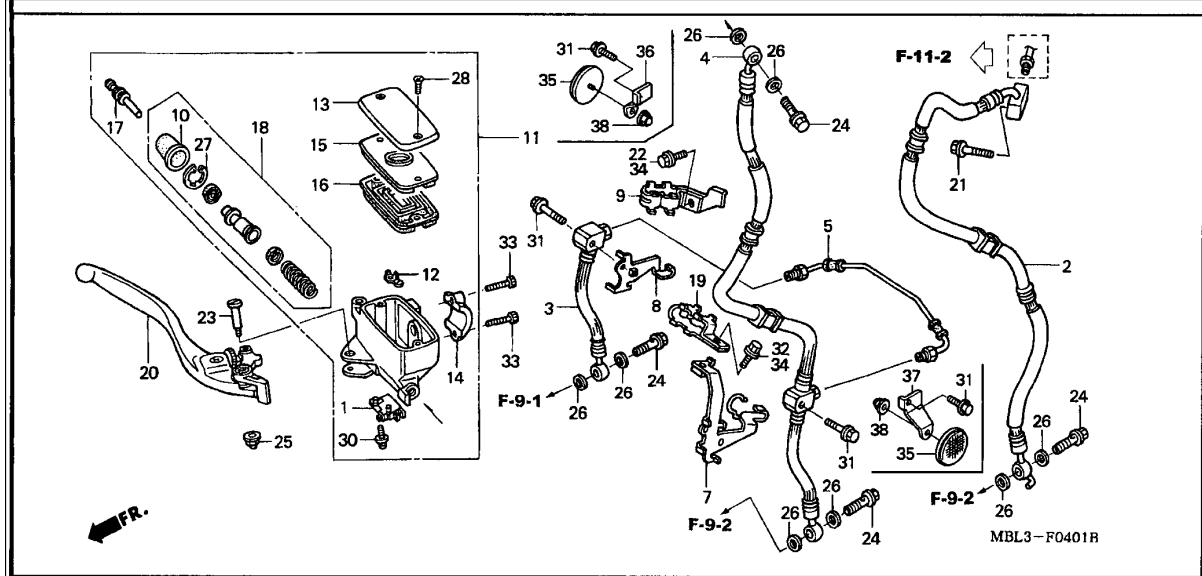
Service item	F.R.T.
CABLE COMP., INNER .....	0.1
CABLE ASSY., SPEEDOMETER .....	0.3
METER ASSY., COMBINATION .....	0.5
.VISOR ASSY., METER	
CASE ASSY., UPPER .....	0.6
CASE ASSY., LOWER .....	0.7
.CLOCK ASSY.	
.INDICATOR COMP., LED	
.SOCKET COMP.	
.SPEEDOMETER ASSY.	
.TACHOMETER ASSY.	

Ref No	Part No	Description	Qty
1	17936-921-000	WASHER, PIVOT	4
2	34908-MB9-871	BULB, WEDGE BASE (12V 1.7W)	3
3	34908-MG9-951	BULB, WEDGE BASE (12V 1.7W)	6
4	37100-MBL-D01	METER ASSY., COMBINATION	1
4	37100-MBL-E01	METER ASSY., COMBINATION	1
5	37102-MBL-611	CASE ASSY., UPPER	1
6	37103-MBL-731	CASE ASSY., UNDER	1
7	37104-MBL-611	INDICATOR COMP., LED (TEMPERATURE)	1
8	37115-MBL-D00	VISOR ASSY., METER	1
9	37200-MBL-D01	SPEEDOMETER ASSY. (KPH)	1
9	37200-MBL-E01	SPEEDOMETER ASSY. (MPH/KPH)	1
10	37250-MBL-D01	TACHOMETER ASSY.	1
11	90035-166-008	SCREW-WASHER, SPECIAL, 4X10	2
12	37460-MBL-611	CLOCK ASSY.	1
13	44830-MBL-610	CABLE ASSY., SPEEDOMETER	1
14	44831-MBL-610	CABLE COMP., INNER	1
15	90105-MT7-003	SCREW, TAPPING, 3X12	2
17	91301-027-000	O-RING, 6.8X1.9	1
18	93700-05020-0G	SCREW, OVAL, 5X20	1
19	93903-24380	SCREW, TAPPING, 4X12	4
20	93903-24420	SCREW, TAPPING, 4X16	4
21	94050-06070	NUT, FLANGE, 6MM	4
22	37105-MBL-731	SOCKET COMP.	1
23	37113-ML7-008	CAP	1
24	37215-MB6-831	CLAMP	1
25	86150-MCF-300	EMBLEM, WING MARK	1
26	90133-SL9-003	SCREW-WASHER, 3X18	3
27	90134-SH3-003	SCREW-WASHER, 3X10(NS)	2



Service item	F.R.T.
GRIP, L. HANDLE .....	0.1
.LEVER COMP., L. HANDLE	
BRACKET, HANDLE LEVER .....	0.2
.GRIP, R. HANDLE	
.SWITCH COMP., FR. LEVER	
CABLE COMP., CLUTCH .....	0.3
.GRIP COMP., R.	
.LEVER, CHOKE	
SWITCH SET, WINKER .....	0.6
CABLE COMP. A, THROTTLE .....	0.8
(SAME TIME FOR TWO UNITS)	
.CABLE COMP. B, THROTTLE	
.CABLE COMP., CHOKE	
.SWITCH SET, LIGHTING & STARTER KILL	

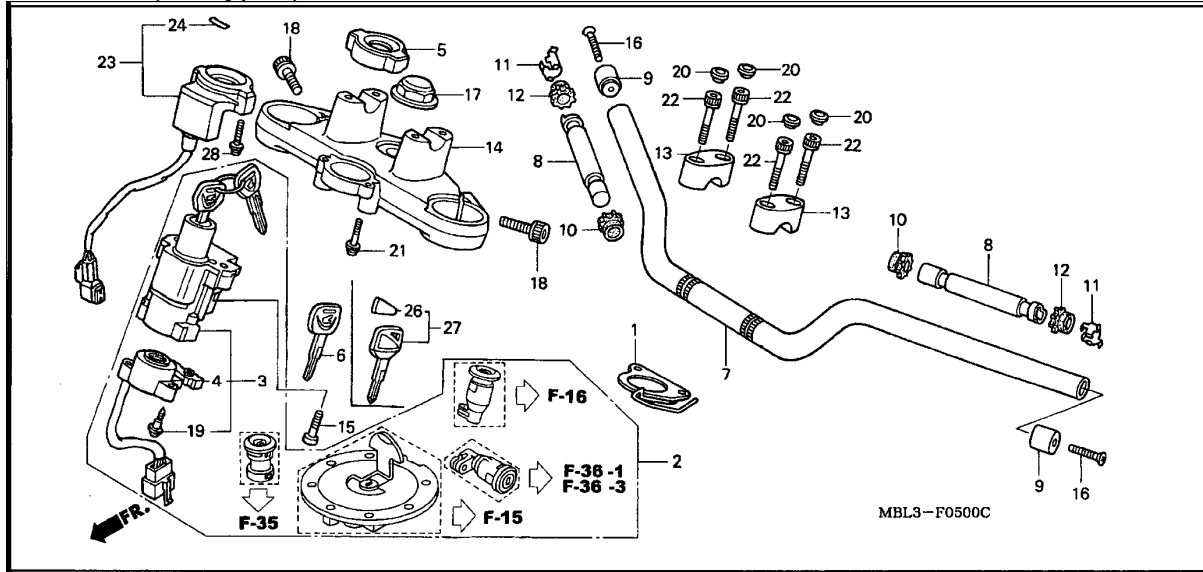
Ref No	Part No	Description	Qty
1	17910-MBL-610	CABLE COMP. A, THROTTLE	1
2	17920-MBL-610	CABLE COMP. B, THROTTLE	1
3	17950-MBL-610	CABLE COMP., CHOKE	1
4	17962-MN8-003	LEVER, CHOKE	1
5	22870-MBL-730	CABLE COMP., CLUTCH	1
6	35015-MBL-610	SWITCH SET, LIGHTING & STARTER KILL	1
7	35020-MBL-610	SWITCH SET, WINKER	1
8	35330-413-003	SWITCH COMP., FR. LEVER	1
9	45518-MY5-730	HOLDER, MASTER CYLINDER	1
10	53140-422-000	GRIP COMP., R.	1
11	53165-422-000	GRIP, R. HANDLE	1
12	53166-422-000	GRIP, L. HANDLE	1
13	53172-MY5-730	BRACKET, HANDLE LEVER	1
14	53174-MY5-G30	PLUG, HANDLE LEVER BRACKET	1
15	53178-KV0-670	LEVER COMP., L. HANDLE	1
16	53192-MY5-730	BOLT, WIRE ADJUSTING	1
17	90113-MY5-730	BOLT, L. HANDLE LEVER PIVOT	1
18	90201-MY5-730	NUT, LOCK	1
19	90321-MY5-730	NUT, FIXING	1
20	90650-KW3-000	BAND, WIRE	3
21	93892-05020-07	SCREW-WASHER, 5X20	1
22	93892-05025-07	SCREW-WASHER, 5X25	1
23	93892-05035-07	SCREW-WASHER, 5X35	1
24	93892-05045-07	SCREW-WASHER, 5X45	1
25	96600-06022-07	BOLT, SOCKET, 6X22	2
26	90650-KW3-000	BAND, WIRE	1
26	90652-KT1-771	BAND, WIRE (BLACK)	1



Service item	F.R.T.
DIAPHRAGM .....	0.1
.LEVER ASSY., R. HANDLE	
.SWITCH ASSY., FR. STOP	
CYLINDER SET, MASTER .....	0.4
.CYLINDER SUB ASSY., FR. BRAKE MASTER	
.HOSE COMP., R. FR. BRAKE	
.PIPE COMP., FR. BRAKE	
HOSE COMP., L. FR. BRAKE .....	0.5
SUB HOSE A, BRAKE .....	1.0

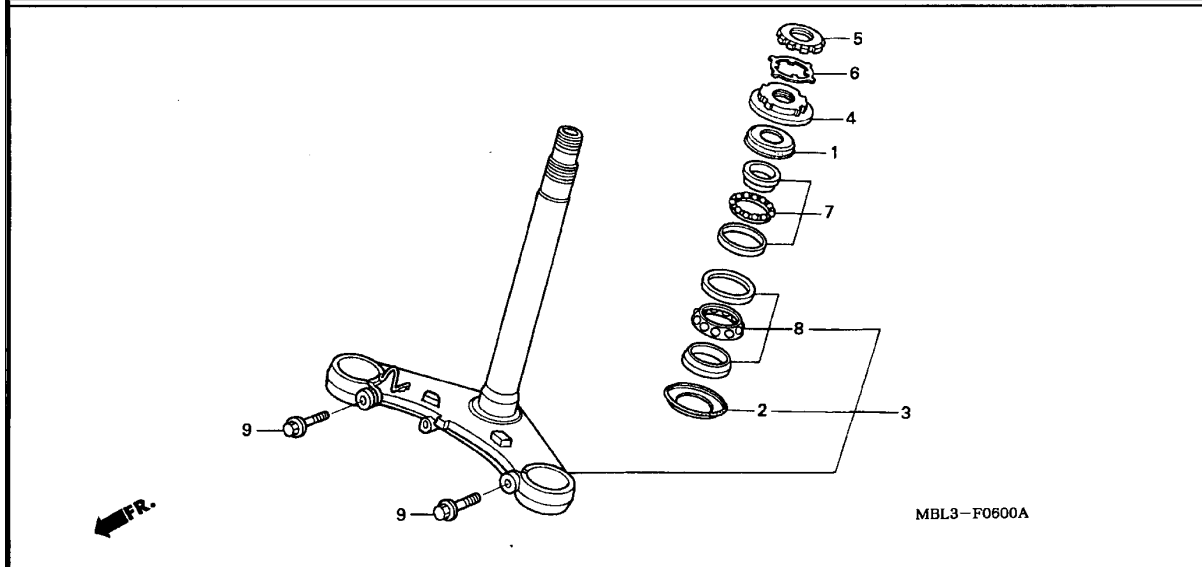
Ref No	Part No	Description	Qty
1	35340-MM5-600	SWITCH ASSY., FR. STOP	1
2	43321-MBL-D01	SUB HOSE A, BRAKE	1
3	45124-MBL-D01	HOSE COMP., R. FR. BRAKE	1
4	45125-MBL-D01	HOSE COMP., L. FR. BRAKE	1
5	45126-MBL-D00	PIPE COMP., FR. BRAKE	1
7	45156-MBL-D00	STAY COMP., L. FR. BRAKE HOSE	1
8	45157-MBL-610	STAY, R. FR. BRAKE HOSE	1
9	45161-MBL-D00	CLAMPER, BRAKE HOSE	1
10	45504-410-003	BOOT COMP.	1
11	45510-MBL-D01	CYLINDER SUB ASSY., FR. BRAKE MASTER	1
12	45512-MA6-006	PROTECTOR	1
13	45513-MM5-016	CAP, MASTER CYLINDER (NISSIN)	1
14	45517-166-006	HOLDER, MASTER CYLINDER	1
15	45518-MM5-006	PLATE, DIAPHRAGM	1
16	45520-MM5-006	DIAPHRAGM	1
17	45525-MBL-D01	ROD, PUSH	1
18	45530-MBR-006	CYLINDER SET, MASTER	1
19	52115-MAT-000	CLAMPER, BRAKE HOSE	1
20	53170-MAJ-G41	LEVER ASSY., R. HANDLE	1
21	90010-ML0-720	BOLT, FLANGE, 6X20	1
23	90114-MA5-671	BOLT, HANDLE LEVER PIVOT	1
24	90145-MS9-612	BOLT, OIL, 10X22	4
25	90201-415-000	NUT, CAP, 6MM	1
26	90545-300-000	WASHER, OIL BOLT	8
27	90651-MA5-671	CIRCLIP	1
28	93600-04012-1G	SCREW, FLAT, 4X12	2
30	93893-04012-17	SCREW-WASHER, 4X12	1
31	95801-06025-07	BOLT, FLANGE, 6X25	2

Ref No	Part No	Description	Qty
33	96600-06022-07	BOLT, SOCKET, 6X22	2
34	96001-06014-07	BOLT, FLANGE, 6X14	2



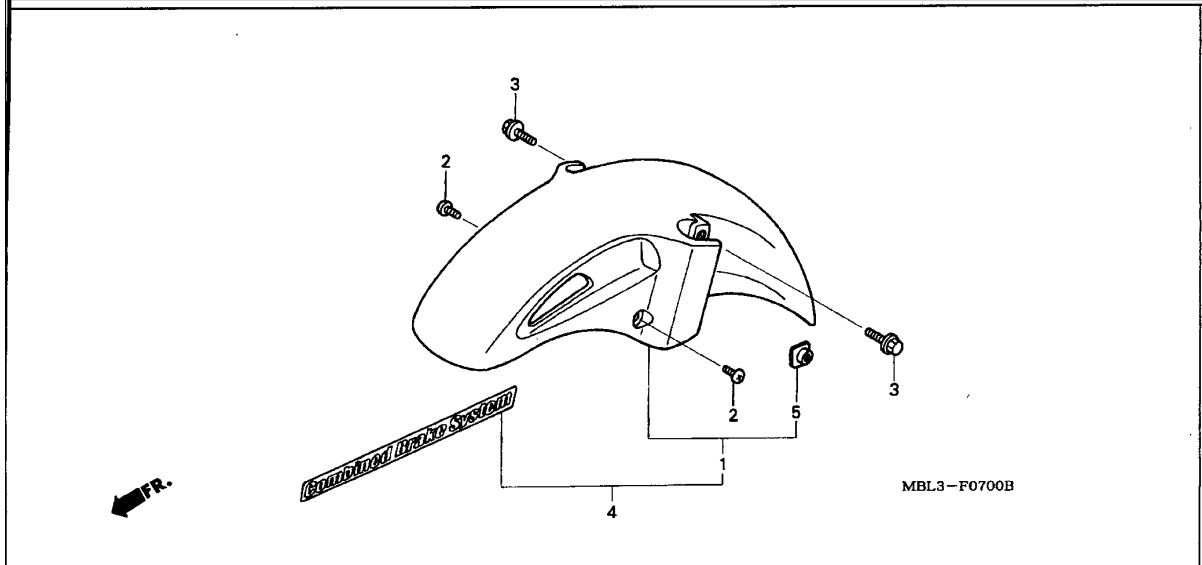
Service item	F.R.T.
WEIGHT B, STEERING HANDLE	0.2
BASE COMP., CONTACT	0.5
BRIDGE, FORK TOP	0.7
.PIPE, STEERING HANDLE .SWITCH ASSY., COMBINATION & LOCK	1.4
KEY SET	1.4

Ref No	Part No	Description	Qty
1	17970-MBL-D00	GUIDE, THROTTLE CABLE	1
2	35010-MBL-732	KEY SET	1
3	35100-MBL-731	SWITCH ASSY., COMBINATION & LOCK	1
4	35101-MBL-730	BASE COMP., CONTACT	1
7	53100-MBL-610	PIPE, STEERING HANDLE	1
8	53104-MS2-000	WEIGHT B, STEERING HANDLE	2
9	53105-MK4-620	WEIGHT, STEERING HANDLE	2
10	53107-KM9-000	RUBBER, HANDLE WEIGHT (B)	2
11	53108-KR3-770	RING, HANDLE WEIGHT SNAP	2
12	53109-MV4-000	RUBBER B, HANDLE WEIGHT	2
13	53131-MBL-730	HOLDER, HANDLE PIPE UPPER	2
14	53230-MBL-730	BRIDGE, FORK TOP	1
15	90107-MBG-000	BOLT, ONE-WAY, 8MM	2
16	90191-MBL-610	SCREW, OVAL, 6X73	2
17	90304-MK4-000	NUT, STEERING STEM	1
18	90531-MS9-000	BOLT, HANDLE SETTING	2
19	91059-KY2-711	SCREW, TAPPING, 3X16	3
20	91456-371-770	CAP, SOCKET BOLT	4
22	96600-08032-00	BOLT, SOCKET, 8X32	4
23	30430-MBL-305	RECEIVER UNIT	1
24	30432-MBW-601	MARK, RECEIVER	1
26	35113-MBW-601	EMBLEM	1
27	35121-MBW-601	KEY, BLANK	[1]
28	93892-05022-00	SCREW-WASHER, 5X22	2



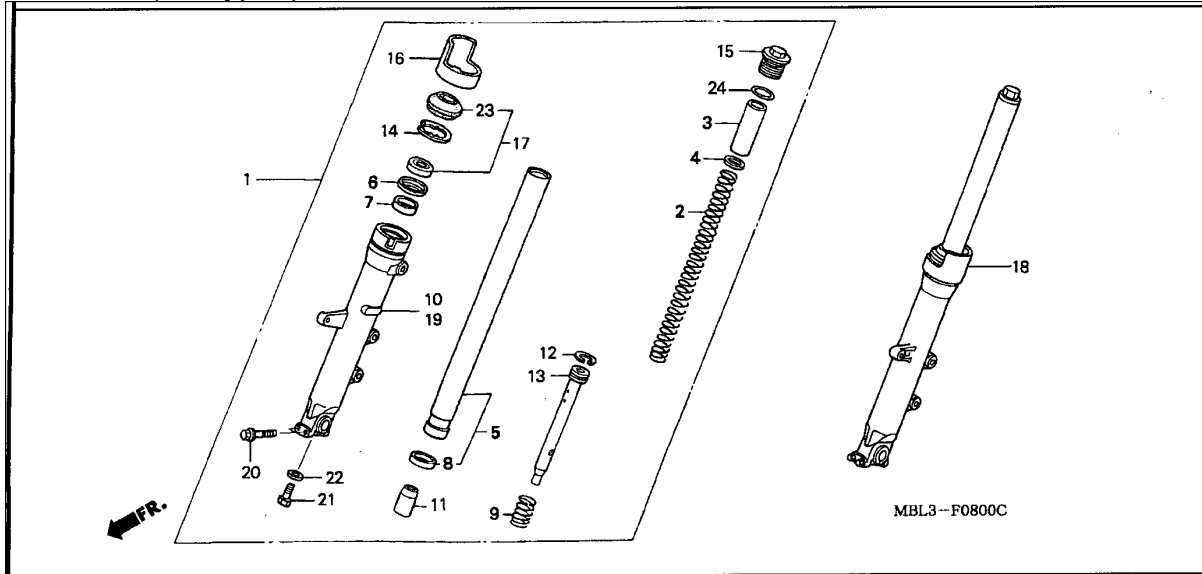
Service item	F.R.T.
THREAD COMP., STEERING HEAD	
TOP	0.6
BEARING, HEAD PIPE UPPER	1.3
(ADD 0.2 FOR EACH.)	
STEM SUB ASSY., STEERING	
BEARING, HEAD PIPE UNDER	1.5

Ref No	Part No	Description	Qty
1	53213-MB4-771	DUST SEAL, STEERING HEAD (ARAI)	1
2	53214-371-010	DUST SEAL, STEERING HEAD	1
3	53219-MBL-610	STEM SUB ASSY., STEERING	1
4	53220-422-000	THREAD COMP., STEERING HEAD TOP	1
5	90302-425-830	THREAD B, STEERING HEAD TOP	1
6	90506-MBL-610	WASHER	1
7	91015-KT8-005	BEARING, HEAD PIPE UPPER (KOYO)	1
8	91016-KT8-005	BEARING, HEAD PIPE UNDER (KOYO)	1
9	96400-10035-07	BOLT, FLANGE, 10X35	2



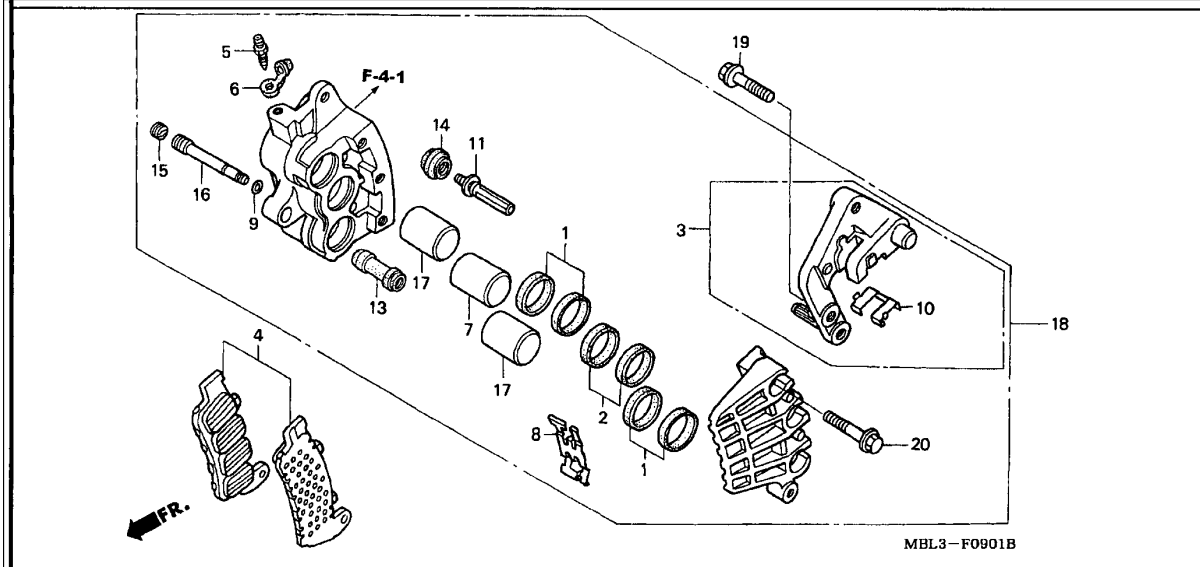
Service item	F.R.T.
FENDER ASSY., FR. ....	0.3

Ref No	Part No	Description	Qty
2	90106-KCZ-000	SCREW, SPECIAL, 6MM	2
3	96001-06022-07	BOLT, FLANGE, 6X22	2
4	61200-MBL-D00ZD	FENDER SET, FR. *TYPE4* (WL)	1
4	61200-MBL-D00ZE	FENDER SET, FR. *TYPE2 1*(WL)	1
4	61200-MBL-D00ZF	FENDER SET, FR. *TYPE3 1*(WL)	1
4	61200-MBL-D40ZA	FENDER SET, FR. *TYPE5* (WL)	1
5	90302-MB1-000	NUT, SPECIAL, 6MM	2



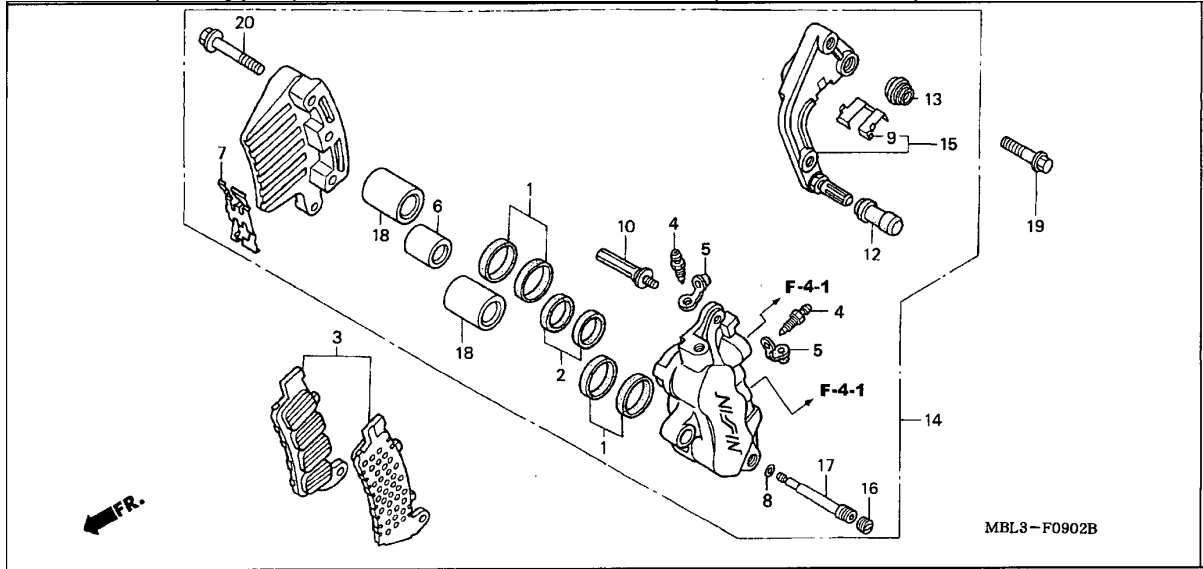
Service item	F.R.T.
SPRING, FR. FORK .....	0.3
(ADD 0.2 FOR EACH.)	
FORK ASSY., L. FR. ....	0.5
(ADD 0.2 FOR EACH.)	
.FORK ASSY., R. FR.	
.PROTECTOR, FORK PIPE	
(ADD 0.1 FOR EACH.)	
SEAL SET, FR. FORK .....	0.8
(ADD 0.5 FOR EACH.)	
CASE, L. BOTTOM .....	0.9
(ADD 0.6 FOR EACH.)	
.CASE, R. BOTTOM	
.PIPE COMP., FR. FORK	
(ADD 0.6 FOR EACH.)	

Ref No	Part No	Description	Qty
1	51400-MBL-D01	FORK ASSY., R. FR.	1
2	51401-MBL-D01	SPRING, FR. FORK	2
3	51402-MV8-901	COLLAR, SPRING	2
4	51403-MBL-611	SEAT, SPRING	2
5	51410-MBL-611	PIPE COMP., FR. FORK	2
6	51412-MBL-611	RING, BACK UP	2
7	51414-KCR-003	BUSH, GUIDE (SHOWA)	2
8	51415-KCR-003	BUSH, SLIDER (SHOWA)	2
9	51416-MBL-611	SPRING, FR. REBOUND	2
10	51420-MBL-D01	CASE, R. BOTTOM	1
11	51432-MBL-D01	PIECE, OIL LOCK	2
12	51437-KV3-701	RING, PISTON	2
13	51440-MBL-611	PIPE, SEAT	2
14	51447-MBL-611	RING, OIL SEAL STOP	2
15	51454-MBL-D01	BOLT, FR. FORK	2
16	51460-MT3-611	PROTECTOR, FORK PIPE	2
17	51490-MN8-305	SEAL SET, FR. FORK	2
18	51500-MBL-D01	FORK ASSY., L. FR.	1
19	51520-MBL-D01	CASE, L. BOTTOM	1
20	90109-MR7-000	BOLT, FLANGE, 8X45	4
21	90116-KV3-701	BOLT, SOCKET, 8MM	2
22	90544-283-000	WASHER, SPECIAL, 8MM	2
23	91254-MM8-003	DUST SEAL	2
24	91356-MBL-D01	O-RING	2



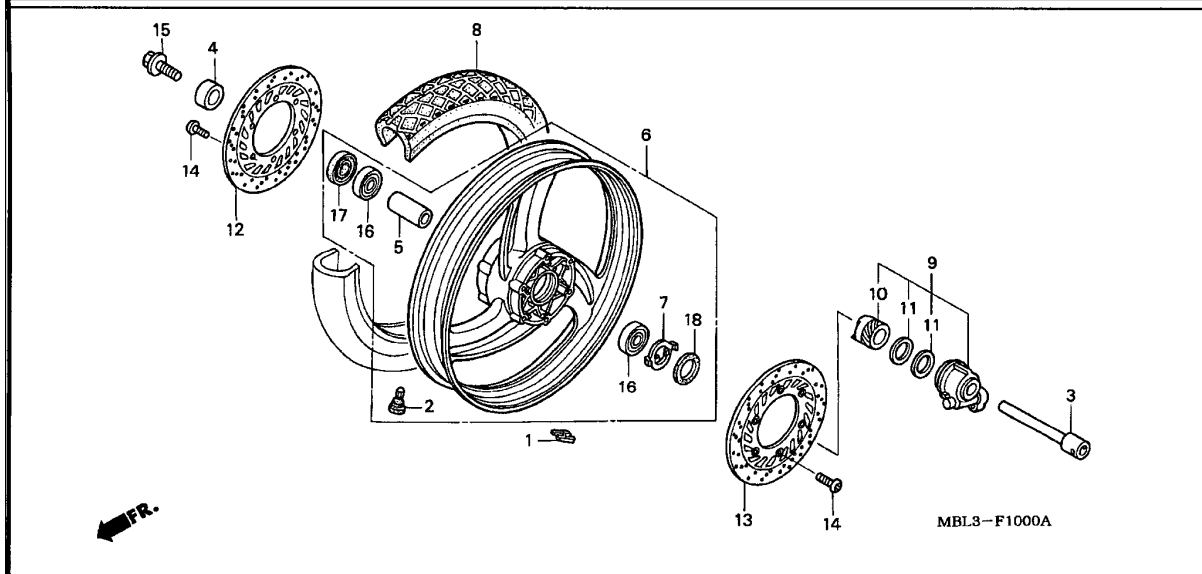
Service item	F.R.T.
PAD SET, FR. ....	0.1
BRACKET SUB ASSY., R. FR. ....	0.2
CALIPER SUB ASSY., R. FR. ....	0.4
(ADD 0.4 FOR EACH.)	
PISTON B, 22X27 .....	0.6
(SAME TIME FOR TWO	
UNITS OR MORE)	
(INC. RELATIVE PART)	

Ref No	Part No	Description	Qty
1	06431-MA3-405	SEAL SET, PISTON	2
2	06451-MZ2-405	SEAL SET, PISTON	1
3	06453-MBG-405	BRACKET SUB ASSY., R. FR.	1
4	06456-MCC-006	PAD SET, FR.	1
5	43352-568-003	SCREW, BLEEDER (NISSIN)	1
6	43353-461-771	CAP, BLEEDER	1
7	45107-MAJ-G41	PISTON B, 22X27	1
8	45108-MZ2-016	SPRING, PAD	1
9	45111-MAJ-G41	RING, STOPPER	1
10	45112-MZ2-006	RETAINER, BRACKET	1
11	45131-ML7-921	BOLT A, PIN	1
13	45132-166-016	BOOT, PIN BUSH (NISSIN)	1
14	45133-MA3-006	BOOT B	1
15	45203-MCC-006	PLUG, PIN	1
16	45215-MAJ-G41	PIN, HANGER	1
17	45218-MAJ-G41	PISTON B, 27X35	2
18	45250-MBL-D01	CALIPER SUB ASSY., R. FR.	1
19	90131-KBV-003	BOLT, FLANGE, 8X32	2
20	90135-MAJ-G41	BOLT, FLANGE, 8X45	3



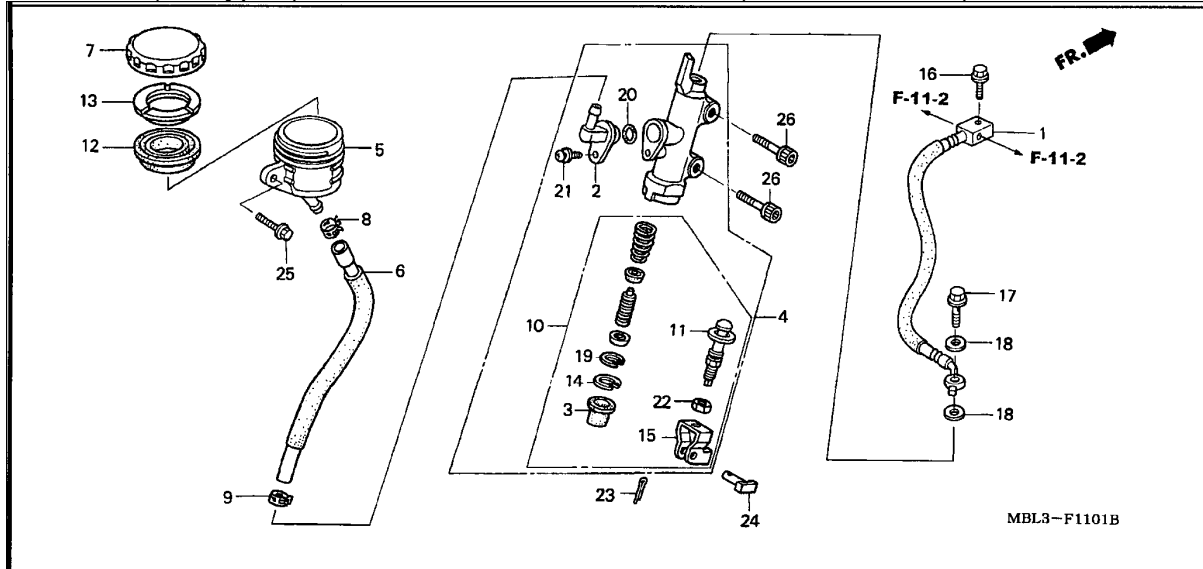
Service item	F.R.T.
PAD SET, FR. ....	0.1
BRACKET SUB ASSY., L. FR.	
CALIPER	0.2
CALIPER SUB ASSY., L. FR. ....	0.6
(ADD 0.2 FOR EACH.)	
PISTON B, 22X27 .....	0.8
(SAME TIME FOR TWO UNITS OR MORE)	
(INC. RELATIVE PART)	

Ref No	Part No	Description	Qty
1	06431-MA3-405	SEAL SET, PISTON	2
2	06451-MZ2-405	SEAL SET, PISTON	1
3	06455-MCC-006	PAD SET, FR.	1
4	43352-568-003	SCREW, BLEEDER (NISSIN)	2
5	43353-461-771	CAP, BLEEDER	2
6	45107-MAJ-G41	PISTON B, 22X27	1
7	45108-MZ2-016	SPRING, PAD	1
8	45111-MAJ-G41	RING, STOPPER	1
9	45112-MZ2-006	RETAINER, BRACKET	1
10	45131-ML7-921	BOLT A, PIN	1
12	45132-166-016	BOOT, PIN BUSH (NISSIN)	1
13	45133-MA3-006	BOOT B	1
14	45150-MBL-D01	CALIPER SUB ASSY., L. FR.	1
15	45190-KFG-641	BRACKET SUB ASSY., L. FR. CALIPER	1
16	45203-MCC-006	PLUG, PIN	1
17	45215-MAJ-G41	PIN, HANGER	1
18	45218-MAJ-G41	PISTON B, 27X35	2
19	90131-KBV-003	BOLT, FLANGE, 8X32	2
20	90135-MAJ-G41	BOLT, FLANGE, 8X45	3



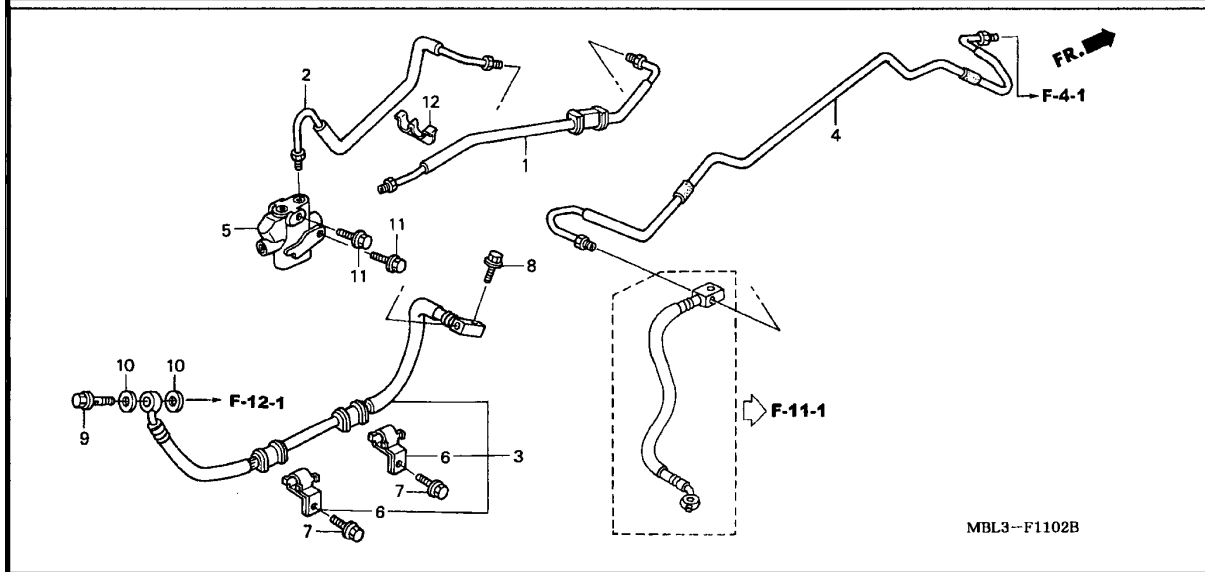
Service item	F.R.T.
AXLE, FR. WHEEL .....	0.3
BOX ASSY., SPEEDOMETER GEAR ..	0.4
.DISK, L. FR. BRAKE (ADD 0.1 FOR EACH.)	
.DISK, R. FR. BRAKE	
BEARING, RADIAL BALL, 6204UU -	0.5
(ADD 0.1 FOR EACH.)	
.COLLAR, FR. AXLE DISTANCE	
WEIGHT, BALANCE .....	0.6
TIRE, FR. ....	0.9
WHEEL SUB ASSY., FR. ....	1.0

Ref No	Part No	Description	Qty
1	42704-MB0-000	WEIGHT, BALANCE (10G)	N
1	42705-MB0-000	WEIGHT, BALANCE (20G)	N
1	42706-MB0-000	WEIGHT, BALANCE (30G)	N
2	42753-KBS-901	VALVE, RIM (PIRELLI)	1
3	44301-MM5-000	AXLE, FR. WHEEL	1
4	44312-MBL-610	COLLAR, FR. WHEEL SIDE	1
5	44620-MBL-610	COLLAR, FR. AXLE DISTANCE	1
6	44650-MBL-D01	WHEEL SUB ASSY., FR.	1
7	44680-ML7-000	RETAINER, GEAR BOX	1
8	44711-MBL-614	TIRE, FR. (MICHELIN)(120/70ZR17 58W)	1
8	44711-MBL-613	TIRE, FR. (DUNLOP)(120/70ZR17 58W)	1
9	44800-MBL-611	BOX ASSY., SPEEDOMETER GEAR	1
10	44806-MBL-611	GEAR, SPEEDOMETER	1
12	45251-MBL-611	DISK, R. FR. BRAKE	1
13	45351-MBL-611	DISK, L. FR. BRAKE	1
14	90105-MBB-000	BOLT, BRAKE DISK, 8X24	12
15	90305-ML7-000	BOLT, FR. AXLE	1
16	91052-MAE-004	BEARING, RADIAL BALL, 6204UU	2
17	91253-MAE-003	DUST SEAL, 30X47X7.5	1
18	91258-ML7-003	DUST SEAL, 45X55X5 (ARAI)	1



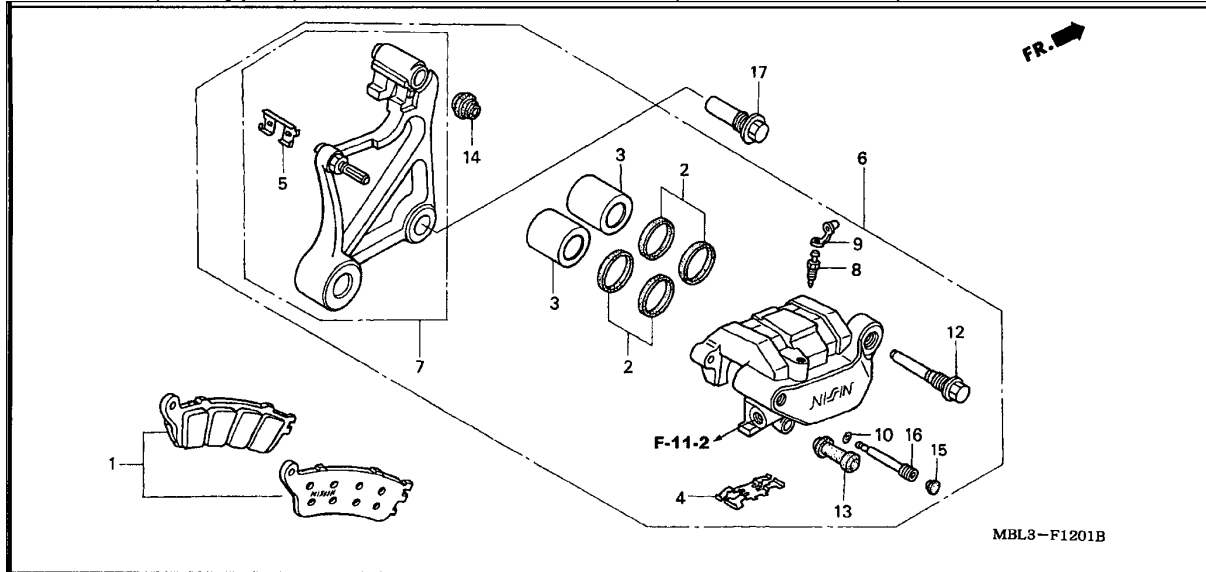
Service item	F.R.T.
DIAPHRAGM .....	0.1
CAP, OIL CUP .....	0.2
HOSE COMP., RR. BRAKE MASTER CYLINDER	0.3
CYLINDER SUB ASSY., RR. MASTER	0.8
.HOSE COMP., RR. BRAKE	
.PISTON SET, RR. MASTER CYLINDER	

Ref No	Part No	Description	Qty
1	43310-MBL-D01	HOSE A, RR. BRAKE MAIN	1
2	43503-MR7-006	CONNECTOR	1
3	43504-MB2-006	BOOT COMP.	1
4	43510-MBL-D01	CYLINDER SUB ASSY., RR. MASTER	1
5	43511-MA6-006	CUP, MASTER CYLINDER OIL	1
6	43512-MBL-D01	HOSE COMP., RR. BRAKE MASTER CYLINDER	1
7	43513-MY1-006	CAP, OIL CUP	1
8	43514-KS6-701	CLAMP, MASTER CYLINDER OIL HOSE	1
9	43514-445-771	CLAMP, MASTER CYLINDER OIL HOSE	1
10	43520-MBL-D01	PISTON SET, RR. MASTER CYLINDER	1
11	43530-MBL-D01	ROD COMP., PUSH	1
12	45520-300-000	DIAPHRAGM	1
13	45521-MJ6-006	PLATE, DIAPHRAGM	1
14	46182-500-013	CIRCLIP	1
15	46504-KV6-702	JOINT, BRAKE ROD	1
16	90108-MJ1-000	BOLT, FLANGE, 6X25	1
17	90145-MS9-612	BOLT, OIL, 10X22	1
18	90545-300-000	WASHER, OIL BOLT	2
19	90651-MBG-006	CIRCLIP, PISTON	1
20	91212-422-006	O-RING, 14.8X2.4	1
21	93893-04012-17	SCREW-WASHER, 4X12	1
22	94002-08000-0S	NUT, HEX., 8MM	1
23	94201-20150	PIN, SPLIT, 2.0X15	1
24	95015-54000	PIN D, JOINT	1
25	95701-06012-00	BOLT, FLANGE, 6X12	1
26	96700-06040-00	BOLT, SOCKET, 6X40	2



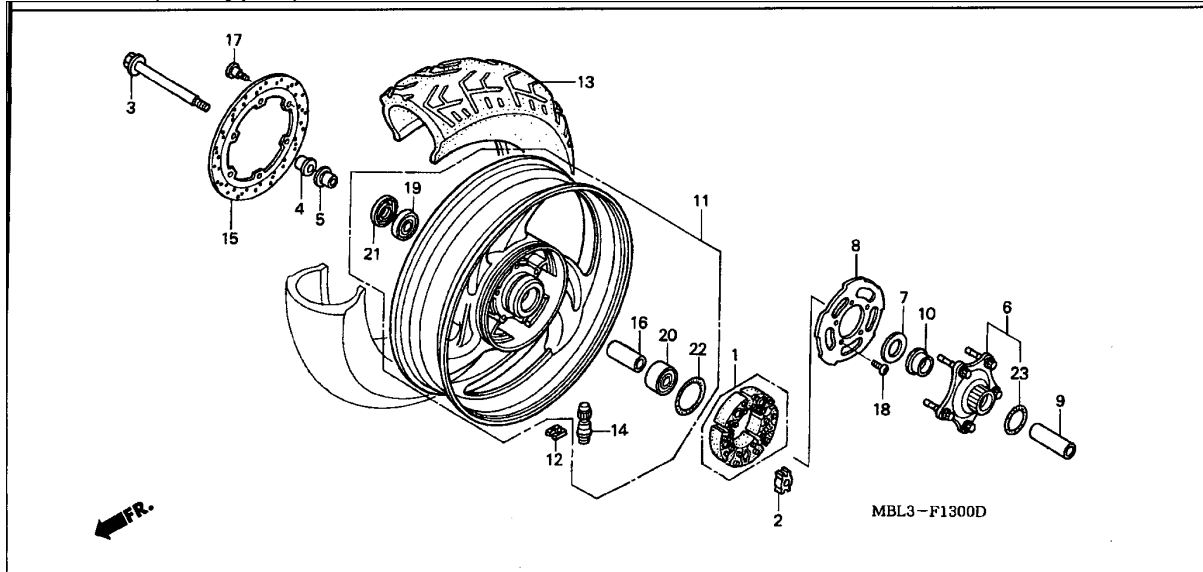
Service item	F.R.T.
HOSE B, RR. BRAKE MAIN .....	0.8
.MAIN PIPE B, RR. BRAKE	
.PIPE A, RR. BRAKE MAIN	
.VALVE ASSY., PROPORTIONING CONTROL	
SUB PIPE A, BRAKE .....	1.2

Ref No	Part No	Description	Qty
1	43311-MBL-D00	PIPE A, RR. BRAKE MAIN	1
2	43312-MBL-D00	MAIN PIPE B, RR. BRAKE	1
3	43313-MBL-D01	HOSE B, RR. BRAKE MAIN	1
4	43320-MBL-D00	SUB PIPE A, BRAKE	1
5	46400-MCH-006	VALVE ASSY., PRESSURE CONTROL	1
6	52114-KY1-000	CLAMPER, BRAKE HOSE	2
7	90021-MZ1-000	BOLT, SPECIAL, 6X18	2
8	90108-MJ1-000	BOLT, FLANGE, 6X25	1
9	90145-MS9-612	BOLT, OIL, 10X22	1
10	90545-300-000	WASHER, OIL BOLT	2
11	95701-06040-08	BOLT, FLANGE, 6X40	2



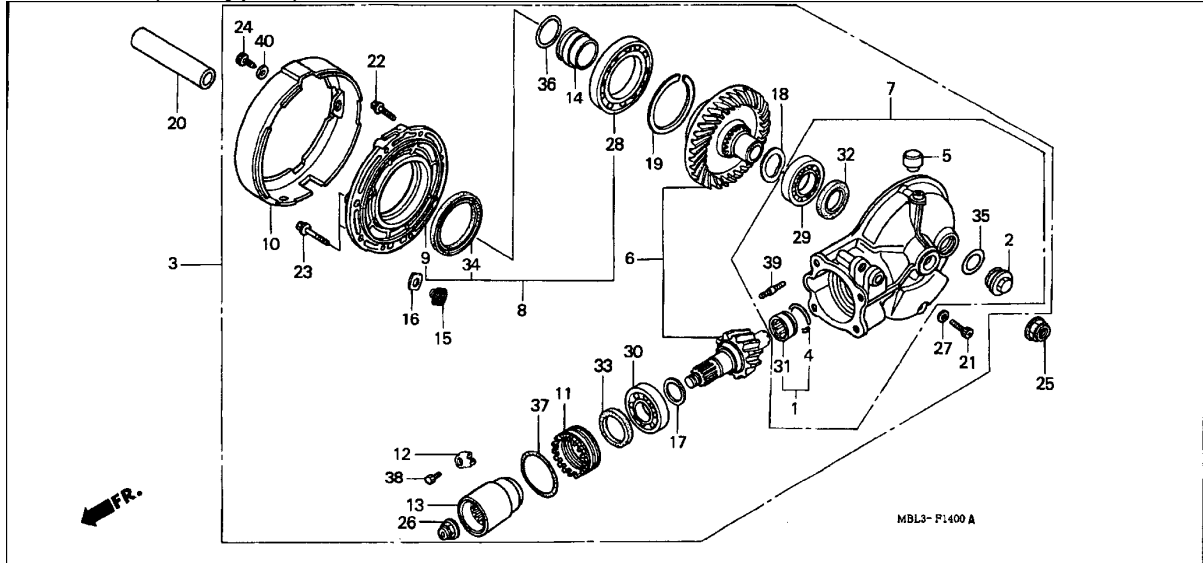
Service item	F.R.T.
PAD SET, RR. ....	0.2
BRACKET SUB ASSY., RR. CALIPER	0.3
CALIPER SUB ASSY., RR. BRAKE	0.9
PISTON .....	1.0
(SAME TIME FOR TWO UNITS)	
(INC. RELATIVE PART)	

Ref No	Part No	Description	Qty
1	06435-MBL-D01	PAD SET, RR.	1
2	06451-MA7-405	SEAL SET, PISTON	2
3	43107-MA7-006	PISTON	2
4	43108-MAJ-G41	SPRING, PAD	1
5	43112-MAJ-G41	RETAINER, RR. BRACKET	1
6	43150-MBL-D01	CALIPER SUB ASSY., RR. BRAKE	1
7	43190-MBL-D01	BRACKET SUB ASSY., RR. CALIPER	1
8	43352-568-003	SCREW, BLEEDER (NISSIN)	1
9	43353-461-771	CAP, BLEEDER	1
10	45111-MAJ-G41	RING, STOPPER	1
12	45131-MZ2-006	PIN, BOLT	1
13	45132-166-016	BOOT, PIN BUSH (NISSIN)	1
14	45133-MA3-006	BOOT B	1
15	45203-MCC-006	PLUG, PIN	1
16	45215-MAJ-G41	PIN, HANGER	1
17	90158-MN5-000	BOLT, BRAKE STOPPER	1



Service item	F.R.T.
AXLE, RR. WHEEL .....	0.5
DISK, RR. BRAKE .....	0.6
.FLANGE SET, FINAL DRIVEN BEARING, RADIAL BALL, 20X47X20.6	0.7
.BEARING, RADIAL BALL, 6204UU (ADD 0.1 FOR EACH.)	
.COLLAR, FR. AXLE DISTANCE	
.DAMPER SET, WHEEL	
WEIGHT, BALANCE .....	0.8
TIRE, RR. ....	1.2
WHEEL SUB ASSY., RR. ....	1.3

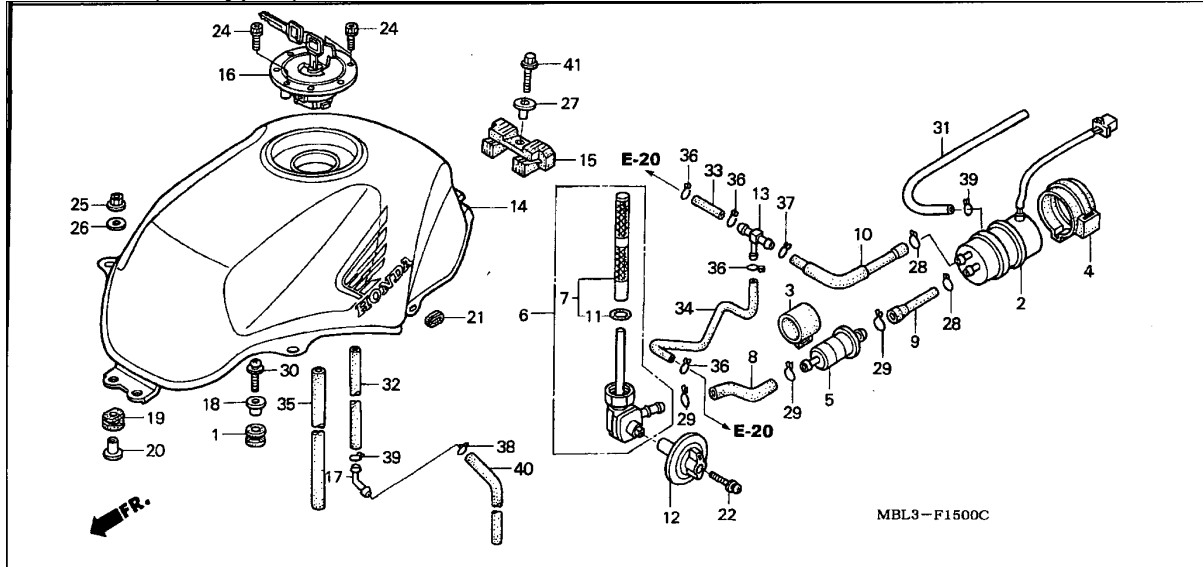
Ref No	Part No	Description	Qty
1	06410-MZ0-A00	DAMPER SET, WHEEL	1
2	41242-MR5-000	PIECE, DAMPER WHEEL	5
3	42301-MBL-610	AXLE, RR. WHEEL	1
4	42311-MBL-610	COLLAR, RR. WHEEL SIDE	1
5	42313-MBL-610	COLLAR, RR. WHEEL SIDE	1
6	42630-MAH-305	FLANGE SET, FINAL DRIVEN	1
7	42616-MAJ-G20	WASHER, THRUST	1
8	42617-MT8-000	HOLDER, DAMPER	1
9	42625-MBL-D00	COLLAR B, RR. DISTANCE	1
10	42626-MBL-610	COLLAR A, RR. DISTANCE	1
11	42650-MBL-611	WHEEL SUB ASSY., RR.	1
12	42706-MB0-000	WEIGHT, BALANCE (30G)	N
12	42705-MB0-000	WEIGHT, BALANCE (20G)	N
12	42704-MB0-000	WEIGHT, BALANCE (10G)	N
13	42711-MBL-613	TIRE, RR. (DUNLOP)(150/70ZR17 69W)	1
13	42711-MBL-614	TIRE, RR. (MICHELIN)(150/70ZR17 69W)	1
14	42753-KBS-901	VALVE, RIM (PIRELLI)	1
15	43251-MBL-D01	DISK, RR. BRAKE	1
16	44620-MW6-610	COLLAR, FR. AXLE DISTANCE	1
17	90105-MBB-000	BOLT, BRAKE DISK, 8X24	6
18	90106-MBB-000	BOLT, DISK, 6X17	5
19	91052-MAE-004	BEARING, RADIAL BALL, 6204UU	1
20	91053-MN5-003	BEARING, RADIAL BALL, 20X47X20.6(NTN)	1
21	91253-443-761	DUST SEAL, 30X47X8 (ARAI)	1
22	91302-MA6-003	O-RING, 61X2	1
23	91358-MB0-000	O-RING, 46.5X3.5	1



Service item	F.R.T.
COLLAR B, RR. DISTANCE	0.5
.HOLDER, O-RING	
.PLATE, DUST GUARD	
GEAR ASSY., FINAL	0.7
JOINT, PINION	0.9
OIL SEAL, 39X51X7	1.0
.OIL SEAL, 60X80X8	
.RETAINER, BEARING (INC. RELATIVE PART)	
COVER, GEAR CASE	1.1
BEARING, RADIAL BALL, 57/34C3	1.5
.OIL SEAL, 34X50X7	
BEARING SET, NEEDLE	1.6
.BEARING, RADIAL BALL, 6305	
.SHIM A, PINION GEAR	
BEARING, RADIAL BALL, 16012C3	1.7
.COVER SUB ASSY., RR. FINAL GEAR	
.SPACER A, RING GEAR	
GEAR SET, FINAL	2.4
CASE SET, FINAL	2.6

Ref No	Part No	Description	Qty
1	06910-MBL-610	BEARING SET, NEEDLE	1
2	12361-035-000	CAP, TAPPET ADJUSTING HOLE	1
3	41300-MBL-610	GEAR ASSY., FINAL	1
4	41305-MB4-770	RING, STOPPER	1
5	41306-MB0-010	CAP, BREATHER	1
6	41310-MM8-305	GEAR SET, FINAL	1
7	41311-MBL-610	CASE SET, FINAL	1
8	41320-MBL-610	COVER SUB ASSY., RR. FINAL GEAR	1
9	41321-ME5-770	COVER, GEAR CASE	1
10	41324-MBL-610	PLATE, DUST GUARD	1
11	41331-ME9-010	RETAINER, BEARING	1
12	41333-415-000	LOCK B, BEARING ADJUSTING	1
12	41332-415-000	LOCK A, BEARING ADJUSTING	1
13	41410-ME9-770	JOINT, PINION	1
14	41433-MB0-010	HOLDER, O-RING	1
15	41436-MB0-310	PIN, RING GEAR STOPPER	1
16	41438-MB0-310	SHIM B, STOPPER PIN (0.15)	1
16	41437-MB0-310	SHIM A, STOPPER PIN (0.10)	1
17	41450-MG8-000	SHIM A, PINION GEAR (1.82)	1
17	41453-MG8-000	SHIM D, PINION GEAR (2.00)	1
17	41452-MG8-000	SHIM C, PINION GEAR (1.94)	1
17	41455-MG8-000	SHIM F, PINION GEAR (2.12)	1
17	41456-MG8-000	SHIM G, PINION GEAR (2.18)	1
17	41451-MG8-000	SHIM B, PINION GEAR (1.88)	1

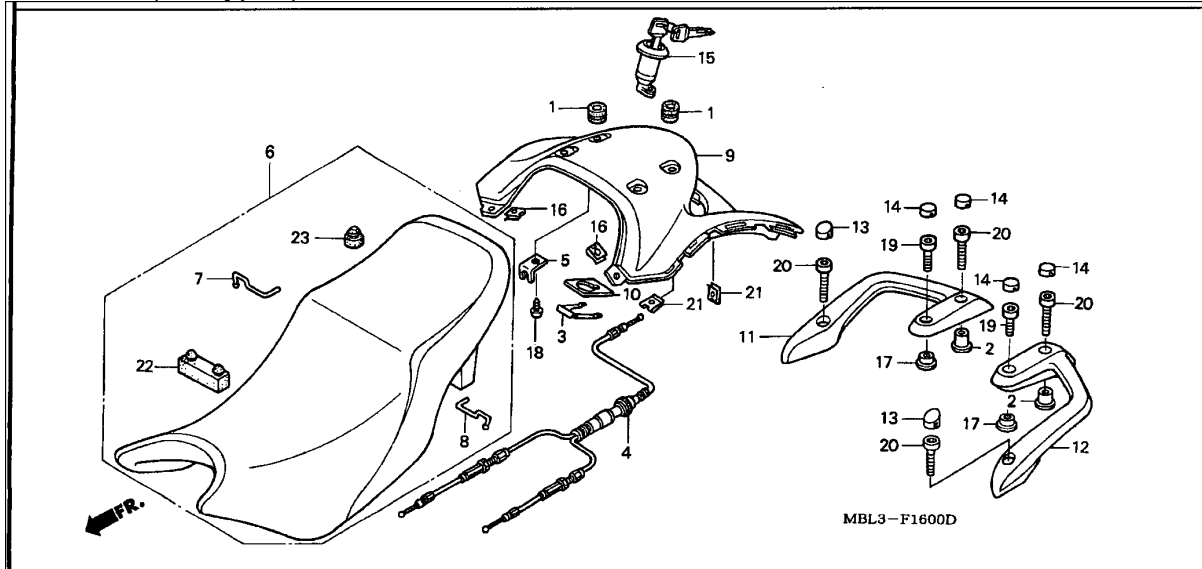
Ref No	Part No	Description	Qty
17	41454-MG8-000	SHIM E, PINION GEAR (2.06)	1
18	41510-MB0-003	WASHER, SPECIAL, 35X40	1
19	41537-MB0-000	SPACER H, RING GEAR (2.24)	1
19	41534-MB0-000	SPACER E, RING GEAR (2.06)	1
19	41532-MB0-000	SPACER C, RING GEAR (1.94)	1
19	41531-MB0-000	SPACER B, RING GEAR (1.88)	1
19	41538-MB0-000	SPACER I, RING GEAR (2.30)	1
19	41536-MB0-000	SPACER G, RING GEAR (2.18)	1
19	41535-MB0-000	SPACER F, RING GEAR (2.12)	1
19	41530-MB0-000	SPACER A, RING GEAR (1.82)	1
19	41533-MB0-000	SPACER D, RING GEAR (2.00)	1
20	42625-MBL-D00	COLLAR B, RR. DISTANCE	1
21	90109-ME5-770	BOLT, SOCKET, 8X11	1
22	90133-MB0-000	BOLT, FLANGE, 8X27	6
23	90134-HA0-000	BOLT, FLANGE, 10X35	2
24	90170-MB0-000	BOLT, HEX., 6X16	1
25	90305-MB4-003	NUT, U, 18MM	1
26	90381-MB0-010	NUT, HEX., 16MM	1
27	90471-580-000	PACKING, 8MM	1
28	91051-MG8-005	BEARING, RADIAL BALL, 16012C3	1
29	91052-MG8-005	BEARING, RADIAL BALL, 57/34C3	1
30	91061-MG8-005	BEARING, RADIAL BALL, 6305 (KOYO)	1
31	91062-MB4-773	BEARING, NEEDLE, 19/18 (TOYO)	1
31	91062-MG8-005	BEARING, NEEDLE, 19/18 (KOYO)	1
32	91261-MB0-003	OIL SEAL, 34X50X7 (ARAI)	1
32	91261-MB0-005	OIL SEAL, 34X50X7 (NOK)	1
33	91262-ME9-005	OIL SEAL, 39X51X7 (NOK)	1
33	91262-ME9-003	OIL SEAL, 39X51X7 (ARAI)	1
34	91265-MB0-003	OIL SEAL, 60X80X8 (ARAI)	1
34	91265-MB0-000	OIL SEAL, 60X80X8	1
35	91302-001-020	O-RING, 30.8MM	1
36	91356-MB0-000	O-RING, 35.2X2.4	1
36	91356-MB0-005	O-RING, 35.2X2.4 (NOK)	1
37	91359-MB0-000	O-RING, 58.5X3.5	1
38	92101-06012-0A	BOLT, HEX., 6X12	1
39	92900-10032-0E	BOLT, STUD, 10X32	4
40	94101-06800	WASHER, PLAIN, 6MM	1



Service item	F.R.T.
CAP COMP., FUEL FILLER .....	0.1
STRAINER COMP., FUEL .....	0.2
PUMP ASSY., FUEL .....	0.3
COCK ASSY., FUEL .....	0.5
.SCREEN SET, FUEL STRAINER .....	0.6
TANK SET, FUEL .....	0.6

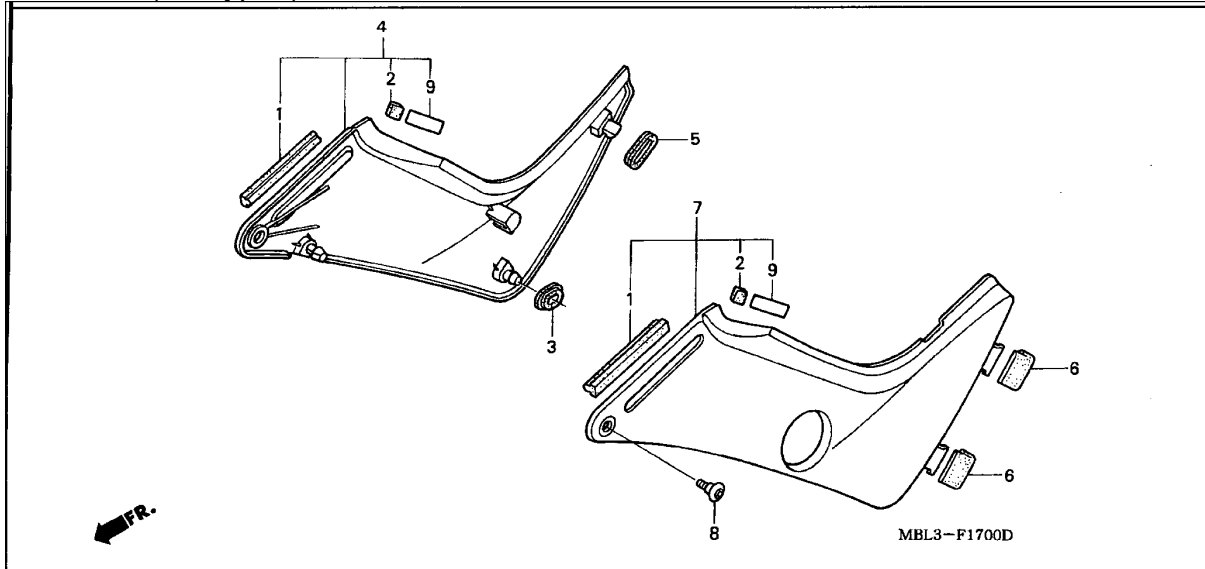
Ref No	Part No	Description	Qty
1	11344-MB0-000	GROMMET A, RR. COVER	2
2	16710-MBL-611	PUMP ASSY., FUEL	1
3	16711-MF2-000	HOLDER, STRAINER	1
4	16711-ML7-000	RUBBER, FUEL PUMP SHOCK	1
5	16900-MG8-003	STRAINER COMP., FUEL	1
6	16950-MBL-613	COCK ASSY., FUEL	1
7	16952-MBL-611	SCREEN SET, FUEL STRAINER	1
8	16953-MBL-610	TUBE B, FUEL	1
9	16954-MBL-610	TUBE B, FUEL	1
10	16955-MBL-610	TUBE C, FUEL	1
11	16958-KM9-005	O-RING	1
12	16965-MBL-D00	LEVER, FUEL COCK	1
13	16961-MK7-000	JOINT, FUEL TUBE	1
14	17520-MBL-D40ZA	TANK SET, FUEL *TYPE5* (WL)	1
14	17520-MBL-D00ZD	TANK SET, FUEL *TYPE4* (WL)	1
14	17520-MBL-D00ZJ	TANK SET, FUEL *TYPE3 2* (WL)	1
14	17520-MBL-D00ZH	TANK SET, FUEL *TYPE2 2* (WL)	1
15	17613-MBL-610	CUSHION, FUEL TANK RR.	1
16	17620-MAS-E02	CAP COMP., FUEL FILLER	1
17	19103-ML7-000	JOINT, TUBE	1
18	33731-MJ0-940	COLLAR, REGULATOR MOUNTING	2
19	50328-425-000	RUBBER A, BATTERY BOX	2
20	83505-MN0-000	COLLAR, COVER MOUNTING	2
21	83551-300-000	GROMMET, AIR CLEANER CASE	2
22	90020-KV3-000	SCREW-WASHER, 5X25	1
24	90074-MT4-000	BOLT, SOCKET, 4X21	3
25	90201-428-900	NUT, CAP, 6MM	2
26	90525-428-900	WASHER, PLAIN, 6MM	2
27	90551-MG7-000	COLLAR, 8.8X11	1
28	90651-KM9-000	CLIP, TUBE (B14)	2

Ref No	Part No	Description	Qty
29	90661-GHB-630	CLAMP B, TUBE, 14.5MM	3
30	93903-25480	SCREW, TAPPING, 5X20	2
31	95001-45600-40	TUBE, FUEL, 4.5X600 (95001-45001-60M)	1
32	95001-45150-40	TUBE, FUEL, 4.5X150 (95001-45001-60M)	1
33	95001-55040-40	TUBE, FUEL, 5.3X40 (95001-55001-60M)	1
34	95001-55210-40	TUBE, FUEL, 5.3X210 (95001-55001-60M)	1
35	95001-80600-40	TUBE, FUEL, 8X600 (95001-80001-60M)	1
36	95002-02100	CLIP, TUBE (B10)	4
37	95002-02120	CLIP, TUBE (B12)	1
38	95002-02130	CLIP, TUBE (B12.5)	1
39	95002-50000	CLIP, TUBE (C9)	2
40	95005-80530-20	TUBE, 8X530 (95005-80001-20M)	1
41	96500-08025-00	BOLT, FLANGE, 8X25	1



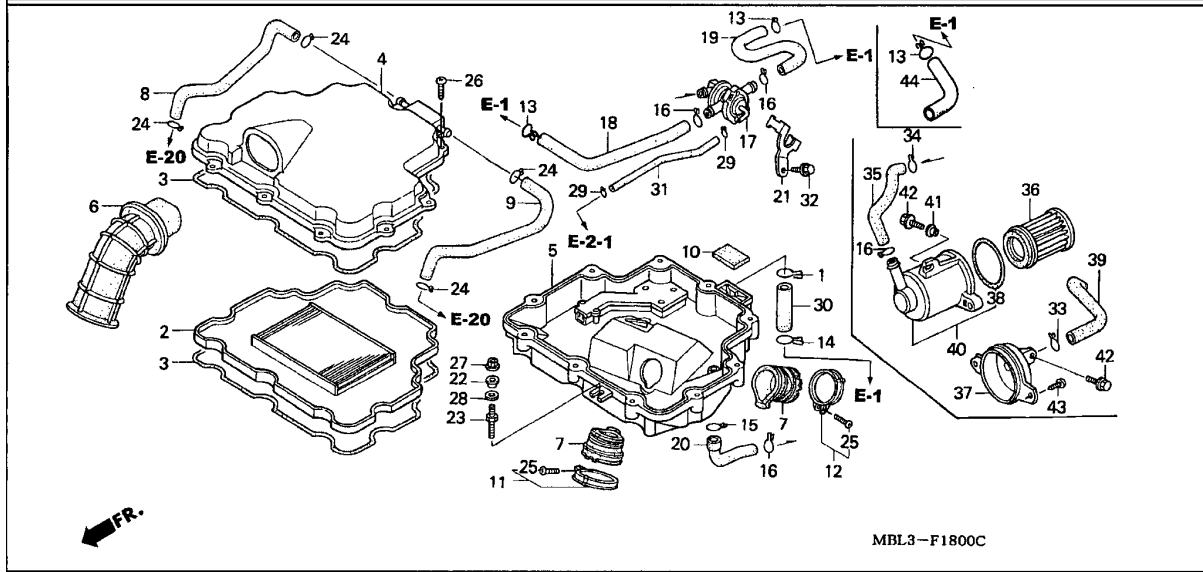
Service item	F.R.T.
RAIL COMP., L. RR. GRAB .....	0.1
.RAIL COMP., R. RR. GRAB	
.SEAT COMP., DOUBLE	
KEY, SADDLEBAG LID .....	0.5
CABLE COMP., COWL LID LOCK ...	0.6
.COWL, RR. CENTER	

Ref No	Part No	Description	Qty
1	33606-428-610	RUBBER, WINKER BOLT MOUNTING	4
2	40558-197-000	COLLAR, TENSIONER ROLLER	2
3	75581-673-000	SPRING, LOCK KEY SETTING	1
4	77156-MBL-610	CABLE COMP., COWL LID LOCK	1
5	77157-MBL-610	STAY, COWL LID LOCK CABLE	1
6	77200-MBL-D00ZA	SEAT COMP., DOUBLE *NH158R* CARBON GRAY	1
7	77206-KBV-000	HOOK B, ROPE	1
8	77205-KBV-000	HOOK A, ROPE	1
9	77210-MBL-610ZE	COWL, RR. CENTER *R247M* PENNANT RED METALLIC	1
9	77210-MBL-610ZG	COWL, RR. CENTER *NH138* SHASTA WHITE	1
9	77210-MBL-610ZE	COWL, RR. CENTER *R247M* PENNANT RED METALLIC	1
9	77210-MBL-610ZL	COWL, RR. CENTER *NH480M* SHIELD SILVER METALLIC	1
9	77210-MBL-610ZM	COWL, RR. CENTER *PB297M* SEVILLA BLUE METALLIC	1
10	77236-GW0-000	WASHER, SEAT LOCK	1
11	77310-MBL-610ZB	RAIL COMP., R. RR. GRAB *NH158R* CARBON GRAY	1
12	77315-MBL-610ZB	RAIL COMP., L. RR. GRAB *NH158R* CARBON GRAY	1
13	77317-MBL-610ZB	CAP A, GRAB RAIL *NH158R* CARBON GRAY	2
14	77318-MBL-610ZB	CAP B, GRAB RAIL *NH158R* CARBON GRAY	4
15	77400-MBL-611	KEY, SADDLEBAG LID	1
16	90330-MBL-610	NUT, SPRING, 5MM	2
17	90501-MBL-610	COLLAR, SPECIAL	2
18	93903-25280	SCREW, TAPPING, 5X12	1
19	90160-MT3-000	BOLT, SOCKET, 8MM	2
20	96600-08035-00	BOLT, SOCKET, 8X35	4
21	90340-MBL-730	NUT, SPRING (TP5)	2
22	77205-MBL-D00	RUBBER A, SEAT SETTING	2
23	77206-GF0-000	RUBBER, SEAT CUSHION	2



Service item	F.R.T.
COVER ASSY., L. SIDE .....	0.1
(SAME TIME FOR TWO UNITS)	
.COVER ASSY., R. SIDE	

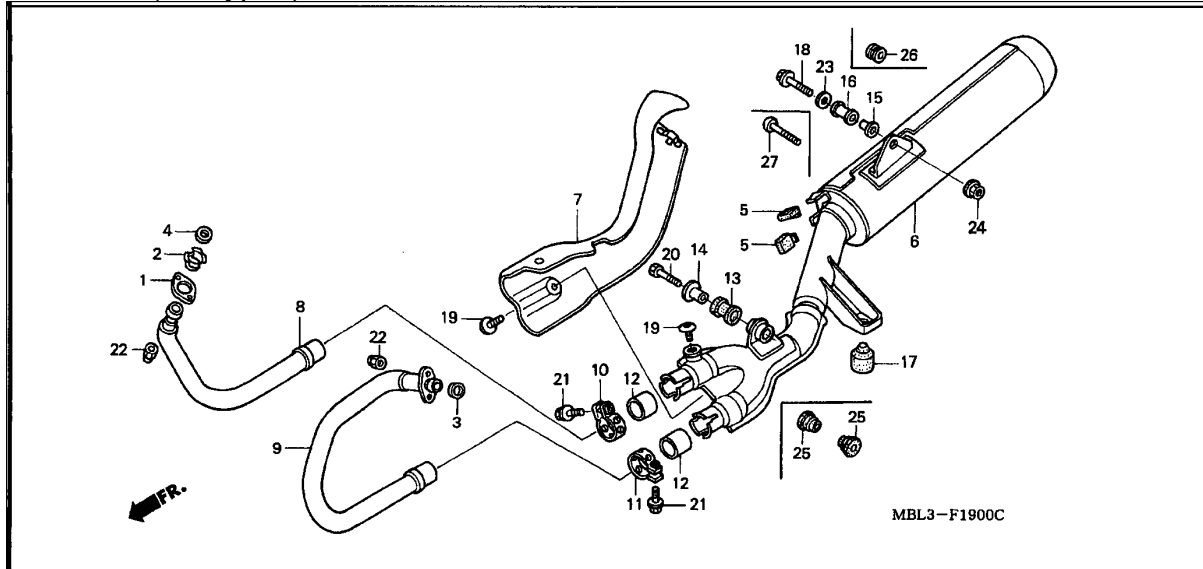
Ref No	Part No	Description	Qty
1	81203-MBL-610	SEAL, SIDE COVER	2
2	55101-GZ9-000	CUSHION, OIL TANK	2
3	83551-GE2-000	GROMMET, AIR CLEANER CASE	1
4	83600-MBL-D00	COVER ASSY., R. SIDE	1
5	83601-MB0-000	GROMMET A, SIDE COVER	1
6	83602-MBL-610	RUBBER, SIDE COVER	2
7	83700-MBL-D00	COVER ASSY., L. SIDE	1
8	90106-MBL-610	SCREW, SPECIAL, 6MM	1
9	83611-MBL-610	TAPE, SIDE COVER	2



Service item	F.R.T.
ELEMENT, AIR CLEANER .....	0.3
(INC. RELATIVE PART)	
ELEMENT COMP., AIR CLEANER ...	0.5
.FILTER, SUB AIR CLEANER	
COVER, AIR CLEANER CASE .....	0.6
.DUCT, AIR CLEANER CASE	
TUBE, AIR CLEANER CONNECTING .	0.8
(ADD 0.1 FOR EACH.)	
.VALVE ASSY., AIR INJECTION CONTROL	
CASE COMP., AIR CLEANER .....	0.9

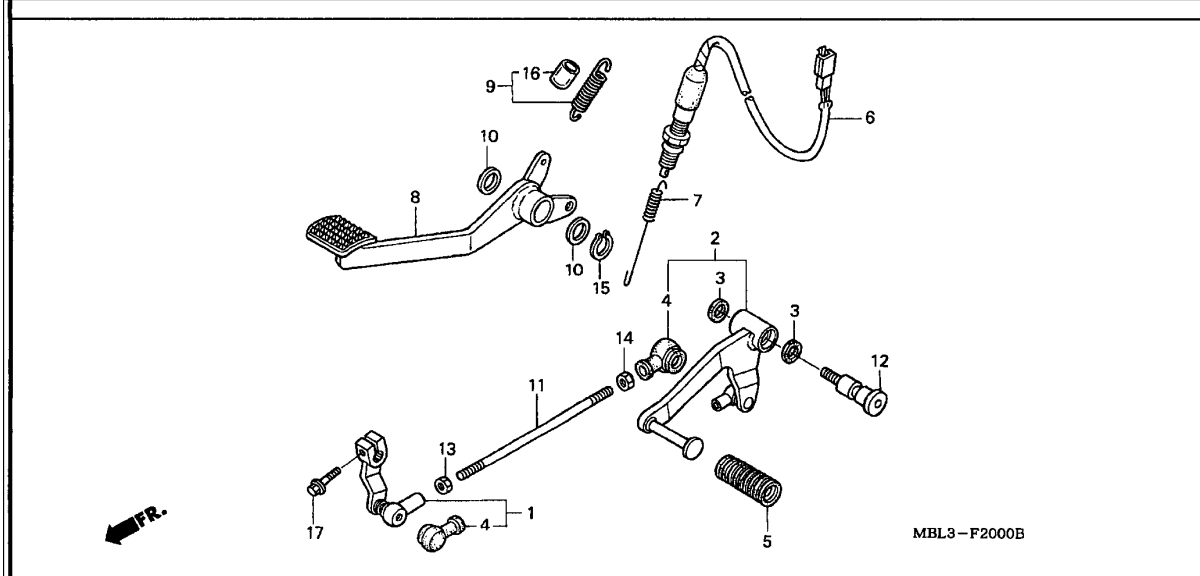
Ref No	Part No	Description	Qty
1	15772-GB5-670	CLIP B20, DRAIN TUBE	1
2	17210-MBL-D00	ELEMENT COMP., AIR CLEANER	1
3	17212-MBL-600	SEAL, AIR CLEANER COVER	2
4	17220-MBL-D00	COVER, AIR CLEANER CASE	1
5	17230-MBL-D00	CASE COMP., AIR CLEANER	1
6	17240-MZ6-730	DUCT, AIR CLEANER CASE	1
7	17253-MBL-600	TUBE, AIR CLEANER CONNECTING	2
8	17256-MBL-600	TUBE, L. SUB AIR CLEANER	1
9	17257-MBL-600	TUBE, L. SUB AIR CLEANER	1
10	17258-MAH-610	FILTER, SUB AIR CLEANER	1
11	17258-MBL-600	BAND A, CONNECTING TUBE	1
12	17258-MBL-600	BAND A, CONNECTING TUBE	1
13	17316-611-000	CLIP, BREATHER TUBE	2
14	17366-MJ0-000	CLIP B, TUBE	1
16	17724-102-700	CLIP, SUB TANK HOSE	3
17	18650-MBL-611	VALVE ASSY., AIR INJECTION CONTROL	1
18	18651-MBL-600	TUBE A, AIR INTAKE	1
19	18652-MBL-600	TUBE B, AIR INTAKE	1
21	18660-MBL-600	STAY, AIR CONTROL VALVE	1
22	33712-GC2-000	COLLAR A, TAILLIGHT	1
23	90129-MN8-000	BOLT, SPECIAL, 6MM	1
24	90643-MK3-781	CLIP, TUBE (B16)	4
25	93500-04025-0A	SCREW, PAN, 4X25	2
26	93903-25480	SCREW, TAPPING, 5X20	10

Ref No	Part No	Description	Qty
27	94050-05000	NUT, FLANGE, 5MM	1
28	94103-05000	WASHER, PLAIN, 5MM	1
29	95002-02070	CLIP, TUBE (B7)	2
30	17265-MBL-600	TUBE, 14X48	1
31	95005-35150-2A	TUBE, 3.5X150(95005-35001-20M)	1
32	95701-06012-00	BOLT, FLANGE, 6X12	1
33	17724-102-700	CLIP, SUB TANK HOSE	1
34	18532-634-670	CLIP, AIR HOSE, 21.5	1
35	18653-MBL-D00	TUBE C, AIR INTAKE	1
36	18805-MBL-D00	ELEMENT, AIR CLEANER (AI)	1
37	18807-MBL-D00	COVER, AIR CLEANER (AI)	1
38	18812-GY6-940	SEAL, AIR CLEANER COVER (AI)	1
39	18814-MBL-D00	TUBE, AIR CLEANER (AI)	1
40	18825-MBL-D00	CASE SUB ASSY., AIR CLEANER (AI)	1
41	33712-GC2-000	COLLAR A, TAILLIGHT	1
42	90111-162-000	BOLT, FLANGE, 6MM	2
43	93903-25320	SCREW, TAPPING, 5X16	2



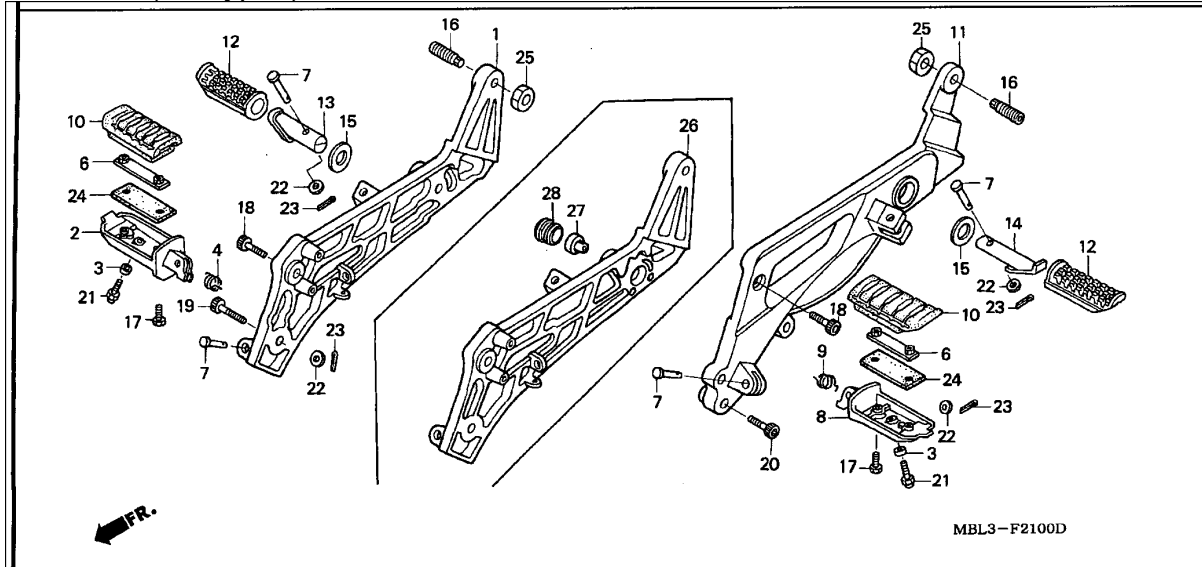
Service item	F.R.T.
COVER, MUFFLER .....	0.1
PIPE, FR. EX. ....	0.4
MUFFLER COMP., EX. ....	0.5
PIPE, RR. EX.	
(ADD 0.1 FOR EACH.)	

Ref No	Part No	Description	Qty
1	18231-MBL-600	JOINT, EX. PIPE	1
2	18233-MBL-600	COLLAR, EX. PIPE JOINT	1
3	18291-MM5-860	GASKET, EX. PIPE	1
4	18291-MN4-920	GASKET, EX. PIPE	1
5	18293-MN0-000	RUBBER, PROTECTOR	2
6	18300-MBL-D00	MUFFLER COMP., EX.	1
7	18315-MBL-D00	COVER, MUFFLER	1
8	18320-MBL-D00	PIPE, FR. EX.	1
9	18370-MBL-D00	PIPE, RR. EX.	1
10	18373-ML0-000	BAND, R. EX. PIPE	1
11	18374-ML0-000	BAND, L. EX. PIPE	1
12	18391-MN5-650	PACKING, MUFFLER	2
14	18422-MBL-610	COLLAR, MUFFLER MOUNTING	1
15	18422-MBL-D00	COLLAR, MUFFLER MOUNTING	1
17	50524-422-000	RUBBER, MAIN STAND STOPPER	1
19	90105-MM4-000	SCREW, PAN, 6X10	2
20	90111-KV3-830	BOLT, SOCKET, 8X40	1
21	90161-ML7-000	BOLT, FLANGE, 8X35	2
22	90208-438-000	NUT, CAP, 8MM	4
23	90501-KAF-000	WASHER, 8.3MM	1
24	94050-08000	NUT, FLANGE, 8MM	1
25	18421-MBL-D00	RUBBER, MUFFLER MOUNTING	2
26	80102-MBL-D00	RUBBER, MOUNTING	1
27	90128-KL4-000	BOLT, SPROCKET FIXING	1



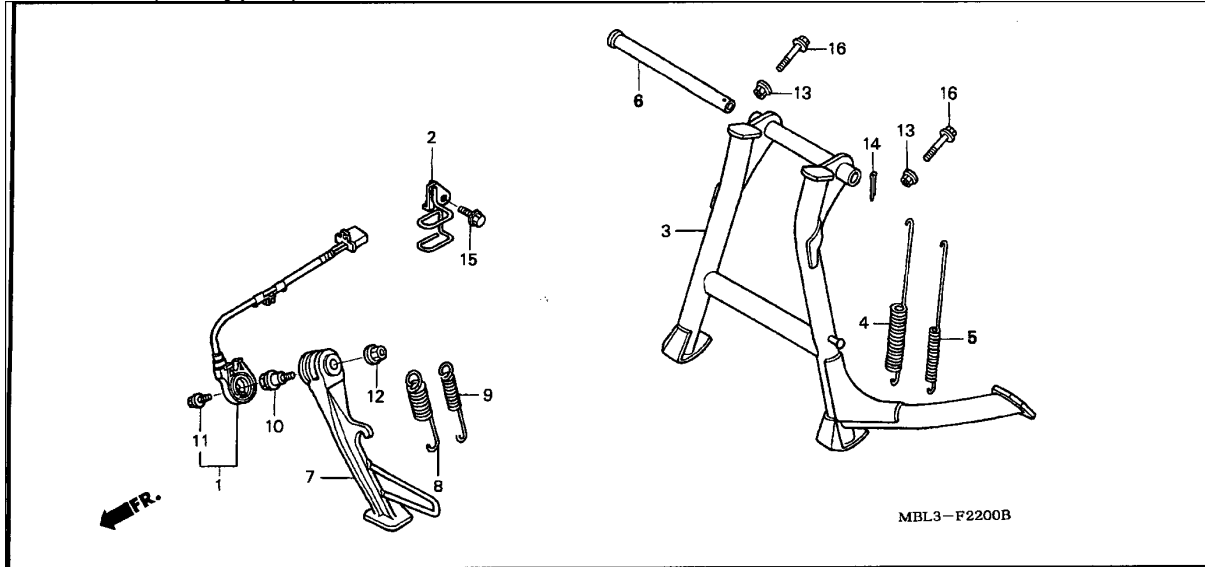
Service item	F.R.T.	Service item	F.R.T.
ARM COMP., CHANGE .....	0.1	ARM COMP., CHANGE .....	0.1
.BOLT, TIE ROD .....		.BOLT, TIE ROD .....	
.PEDAL COMP., CHANGE .....		.PEDAL COMP., CHANGE .....	
SWITCH ASSY., RR. STOP .....	0.3	SWITCH ASSY., RR. STOP .....	0.3
PEDAL, RR. BRAKE .....	0.4	PEDAL, RR. BRAKE .....	0.4

Ref No	Part No	Description	Qty
1	24702-MBL-610	ARM COMP., CHANGE	1
2	24705-MBL-610	PEDAL COM., CHANGE	1
3	24706-MK3-770	RUBBER, DUST SEAL	2
4	24724-422-000	COVER, DUST	2
5	24781-449-000	RUBBER, GEAR CHANGE	1
6	35350-KR3-671	SWITCH ASSY., RR. STOP	1
7	35357-MBL-610	SPRING, STOP SWITCH	1
8	46500-MBL-610	PEDAL, RR. BRAKE	1
9	46516-MBL-610	SPRING ASSY., BRAKE PEDAL	1
10	53312-657-000	WASHER, BUSH	2
11	90065-MBL-610	BOLT, TIE ROD	1
12	90115-KAF-000	BOLT, CHANGE PIVOT	1
13	90201-700-000	NUT, GOVERNOR ARM FIXING	1
14	94002-06020-0S	NUT, HEX., 6MM	1
15	94511-15000	CIRCLIP, EXTERNAL, 15MM	1
16	95003-45002-10	TUBE, VINYL, 14X18X20 (95003-45001-10M)	1
17	96300-06022-00	BOLT, FLANGE, 6X22	1



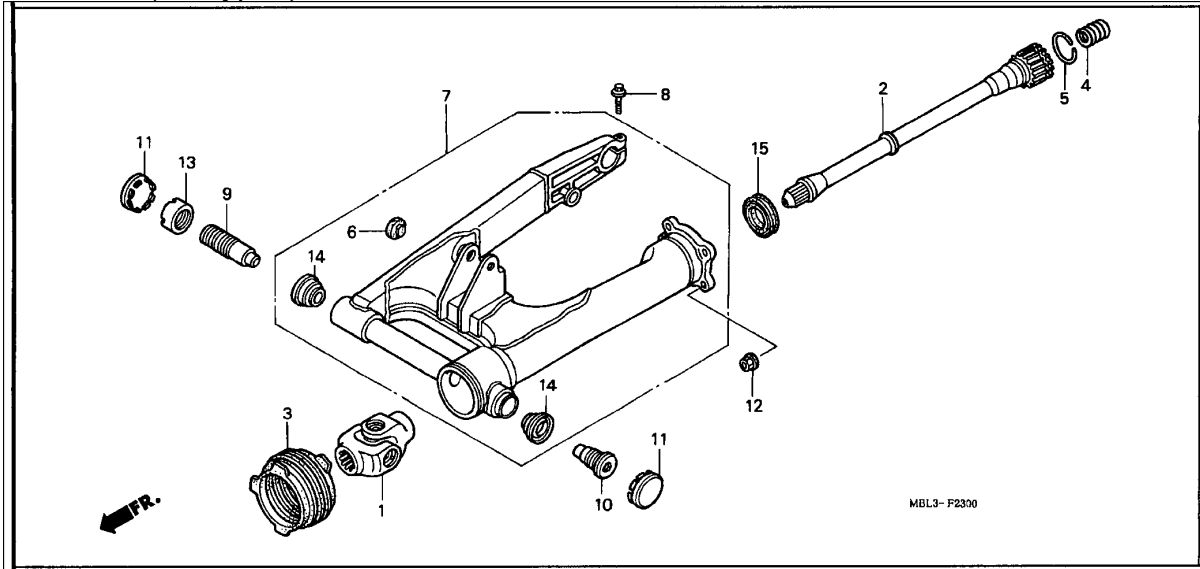
Service item	F.R.T.
ARM, L. STEP .....	0.1
(INC. RELATIVE PART)	
.ARM, R. STEP	
(INC. RELATIVE PART)	
.BAR, L. PILLION STEP	
(INC. RELATIVE PART)	
.BAR, R. PILLION STEP	
(INC. RELATIVE PART)	
HOLDER, L. STEP .....	0.3
HOLDER, R. STEP .....	0.4

Ref No	Part No	Description	Qty
2	50612-MT3-000	ARM, R. STEP	1
3	50615-MBL-610	COLLAR, STEP LOWER	2
4	50617-MBL-610	SPRING, R. STEP RETURN	1
6	50619-MBL-610	PLATE, STEP SETTING	2
7	50639-ML0-010	PIN, STEP BAR	4
8	50642-MT3-000	ARM, L. STEP	1
9	50644-MBL-610	SPRING, L. STEP RETURN	1
10	50661-MT3-000	RUBBER, STEP	2
11	50700-MBL-D00	HOLDER, L. STEP	1
12	50710-KE8-000	RUBBER, PILLION STEP	2
13	50711-MBL-D00	BAR, R. PILLION STEP	1
14	50712-MBL-D00	BAR, L. PILLION STEP	1
15	50715-ML4-000	PLATE, PILLION STEP SIDE	2
16	90115-MBL-D00	BOLT, SADDLEBAG ADJUSTING	2
17	90115-MT3-000	BOLT, MAIN STEP RUBBER SETTING	4
18	90155-MBL-610	BOLT, SOCKET, 8X32	2
19	90156-MBL-610	BOLT, SOCKET, 8X55	1
20	90157-MB1-000	BOLT, SOCKET, 8X18	1
21	92501-08020-0A	BOLT, CAP, 8X20	2
22	94102-08000	WASHER, PLAIN, 8MM	4
23	94201-20150	PIN, SPLIT, 2.0X15	4
24	50618-MBL-610	RUBBER	2
25	94002-14000-0S	NUT, HEX., 14MM	2
26	50600-MBL-D00	HOLDER, R. STEP	1
27	64243-MBL-D00	RUBBER, STEP HOLDER	2
28	90851-MBL-D00	CAP, FRAME SIDE	1



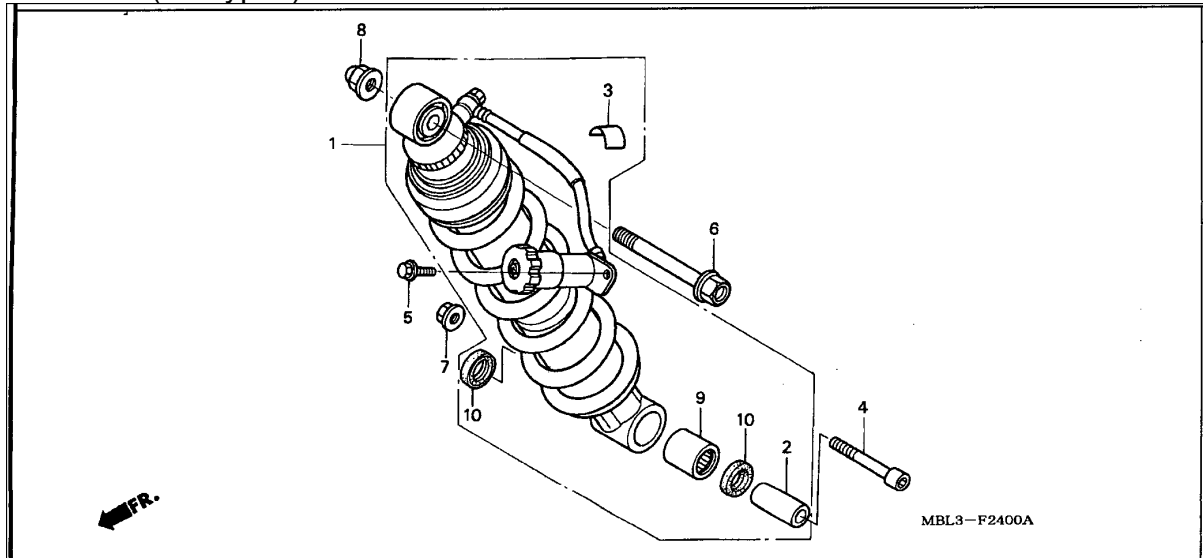
Service item	F.R.T.
SPRING, SIDE STAND .....	0.1
BAR, SIDE STAND .....	0.2
SPRING, MAIN STAND .....	0.3
SWITCH SET, SIDE STAND .....	0.7
STAND COMP., MAIN .....	0.7

Ref No	Part No	Description	Qty
1	35700-MBL-305	SWITCH SET, SIDE STAND	1
2	50367-MBL-610	GUIDE, DRAIN TUBE	1
3	50500-MBL-610	STAND COMP., MAIN	1
4	50501-MBL-610	SPRING, MAIN STAND	1
5	50502-MBL-610	SUB SPRING, MAIN STAND	1
6	50526-MS9-000	PIPE, MAIN STAND PIVOT	1
7	50530-MBL-610	BAR, SIDE STAND	1
8	50541-MBL-610	SPRING, SIDE STAND	1
9	50542-MBL-610	SUB SPRING, SIDE STAND	1
10	90108-MK6-670	BOLT, SIDE STAND PIVOT	1
11	90147-MCE-950	BOLT, SPECIAL, 6X16	1
12	90203-MF9-710	NUT, SIDE STAND	1
13	90309-MR1-770	NUT, FLANGE, 8MM	2
14	94201-25250	PIN, SPLIT, 2.5X25	1
15	96300-06012-00	BOLT, FLANGE, 6X12	1
16	96300-08040-07	BOLT, FLANGE, 8X40	2



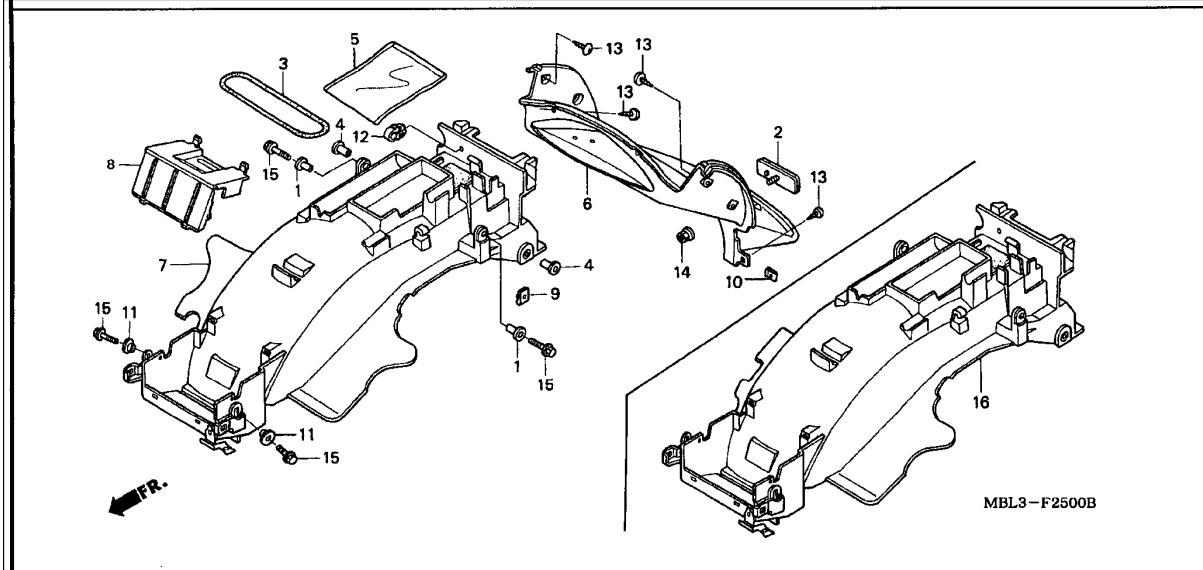
Service item	F.R.T.
OIL SEAL, 27X43X7	0.7
SHAFT, PROPELLER	
JOINT COMP., YOKE	1.2
SWINGARM ASSY., RR.	1.3
BEARING, TAPER ROLLER, 30202	1.5
(ADD 0.2 FOR EACH.)	

Ref No	Part No	Description	Qty
1	40200-MR6-671	JOINT COMP., YOKE	1
2	40201-MBL-610	SHAFT, PROPELLER	1
3	40207-MBL-610	BOOT, JOINT	1
4	40215-ME9-003	SPRING, PROPELLER SHAFT	1
5	40221-MB0-000	RING, STOPPER	1
6	50524-MBL-610	RUBBER, STOPPER	1
7	52100-MBL-D00	SWINGARM ASSY., RR.	1
8	90105-GM9-740	BOLT, FLANGE, 8X32	1
9	90121-MZ6-730	BOLT, R. SWINGARM PIVOT	1
10	90124-MK7-770	BOLT, L. SWINGARM PIVOT	1
11	90302-MZ8-G20	CAP, PIVOT *NH167MU* IRON NAIL SILVER METALLIC-U	2
12	90308-357-000	NUT, HEX., 10MM	4
13	90354-MZ6-730	NUT, LOCK, 23MM	1
14	91066-MR6-672	BEARING, TAPER ROLLER, 30202	2
15	91261-ME9-005	OIL SEAL, 27X43X7	1



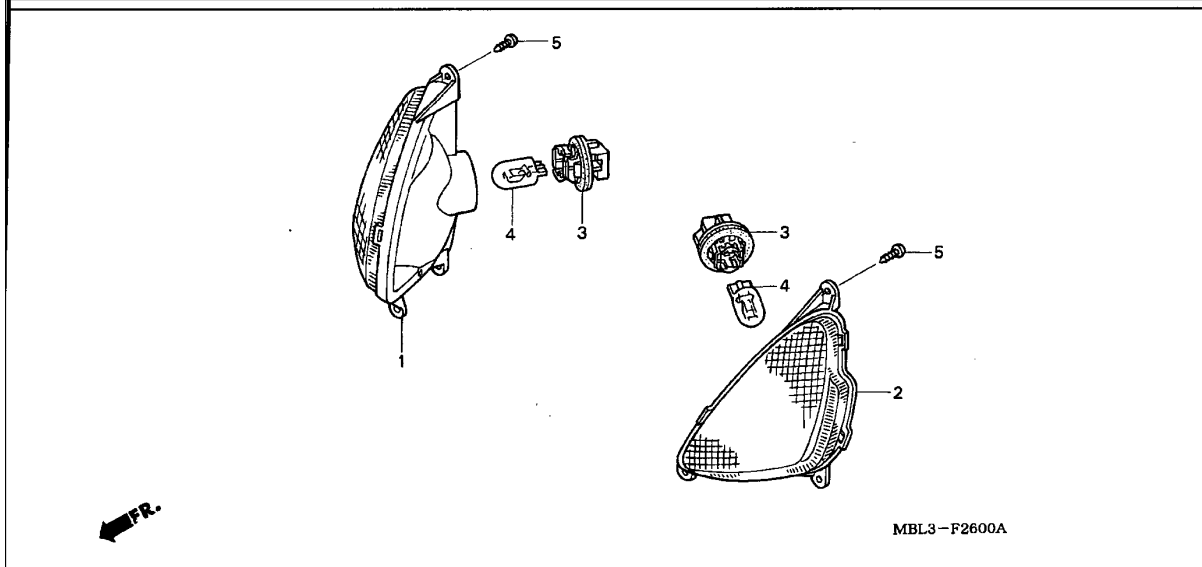
Service item	F.R.T.
CUSHION ASSY., RR. ....	0.9
BEARING, NEEDLE .....	1.0

Ref No	Part No	Description	Qty
1	52400-MBL-D01	CUSHION ASSY., RR.	1
1	52400-MBL-F01	CUSHION ASSY., RR.	1
2	52463-MAL-G00	COLLAR, CUSHION CONNECTING ROD	1
3	87503-MS9-751	LABEL, PRELOAD ADJUSTER	1
4	90107-MBL-610	BOLT, SOCKET, 10X57	1
5	90106-KK7-700	BOLT, FLANGE, 8X16	1
6	90154-MBL-610	BOLT, FLANGE, 12X148	1
7	90304-GE8-003	NUT, U, 10MM	1
8	90306-KF0-003	NUT, FLANGE, 12MM	1
9	91071-KV3-005	BEARING, NEEDLE (KOYO)	1
10	91262-KV3-831	DUST SEAL, 17X24X5(ARAI)	2



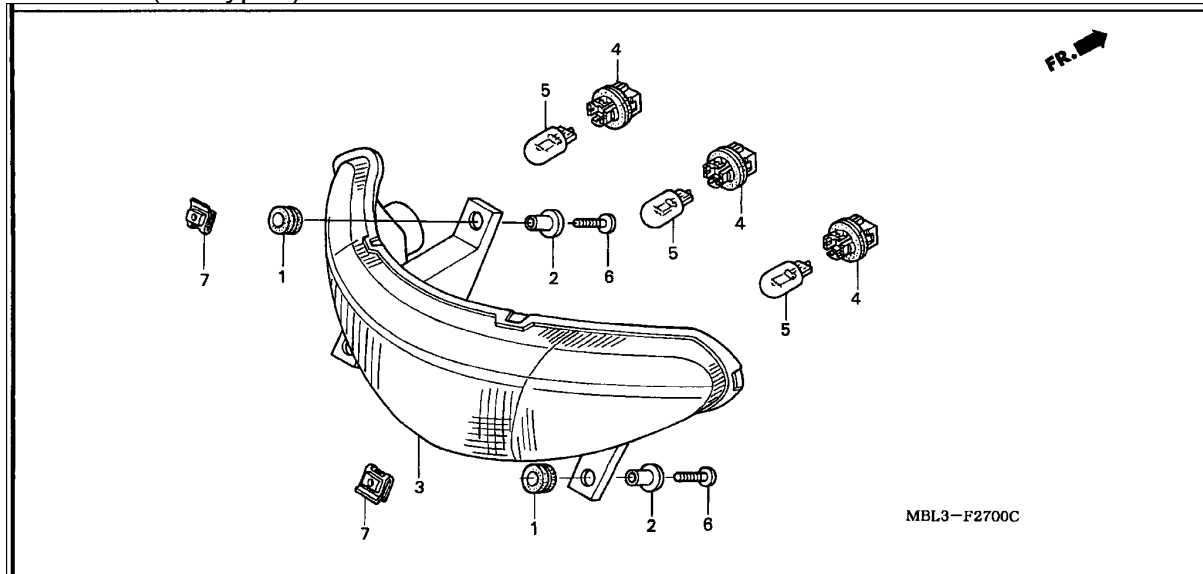
Service item	F.R.T.
FENDER A, RR. ....	0.3
FENDER COMP., RR. ....	1.2
.FENDER COMP., RR.	

Ref No	Part No	Description	Qty
1	17509-398-960	COLLAR, TANK SETTING	2
2	33741-KEB-621	REFLECTOR, REFLEX	1
3	50290-MBL-610	BAND, U-LOCK	1
4	50312-MAN-600	COLLAR, 6X21.5	2
5	77251-GR1-000	BAG, SERVICE BOOK	1
6	80101-MBL-D00	FENDER A, RR.	1
8	80110-MBL-610	COVER, BATTERY TRAY	1
9	84601-HA7-670	NUT, FENDER SETTING	2
10	90340-MBL-730	NUT, SPRING (TP5)	2
11	90505-HA0-680	WASHER, 6X20	2
12	90659-734-K51	CLIP, HARNESS (NIFUKO)	1
13	93903-25380	SCREW, TAPPING, 5X16	8
14	94050-05000	NUT, FLANGE, 5MM	1
15	96300-06020-07	BOLT, FLANGE, 6X20	4
16	80105-MBL-D00	FENDER COMP., RR. (B)	1



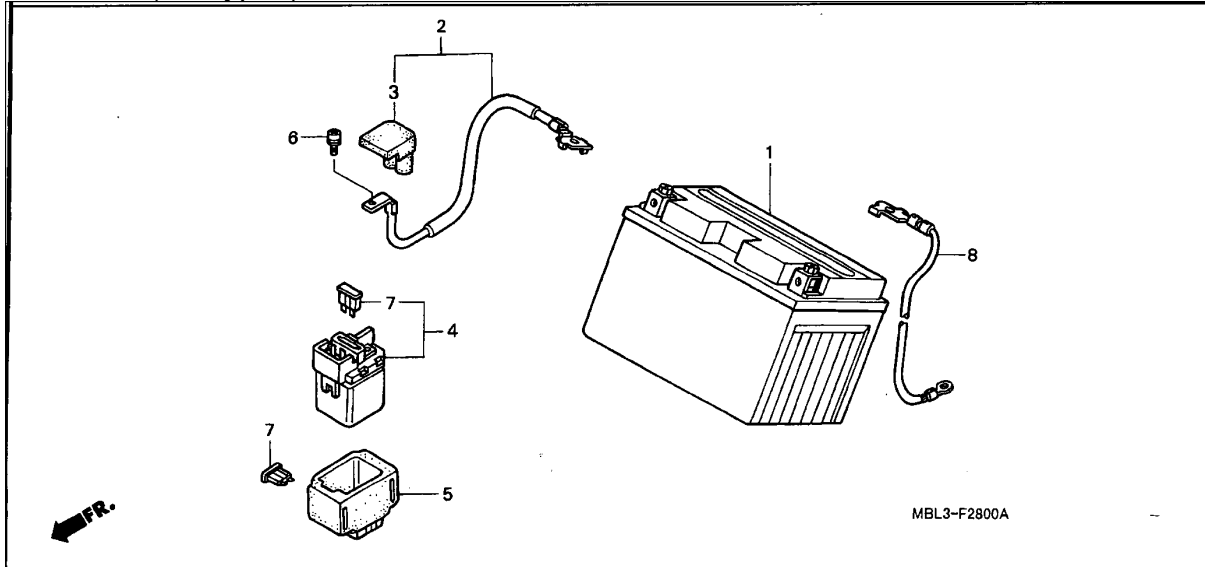
Service item	F.R.T.
BULB, WEDGE BASE .....	0.1
SOCKET .....	0.2
LENS COMP., L. ....	0.3
(ADD 0.1 FOR EACH.)	
.LENS COMP., R.	

Ref No	Part No	Description	Qty
1	33410-MBL-611	LENS COMP., R.	1
2	33460-MBL-611	LENS COMP., L.	1
3	33720-GZ9-003	SOCKET	2
4	34906-MBB-611	BULB, WEDGE BASE (STANLEY)(12V 21/5W ECE)	2
5	93903-34320	SCREW, TAPPING, 4X12	6



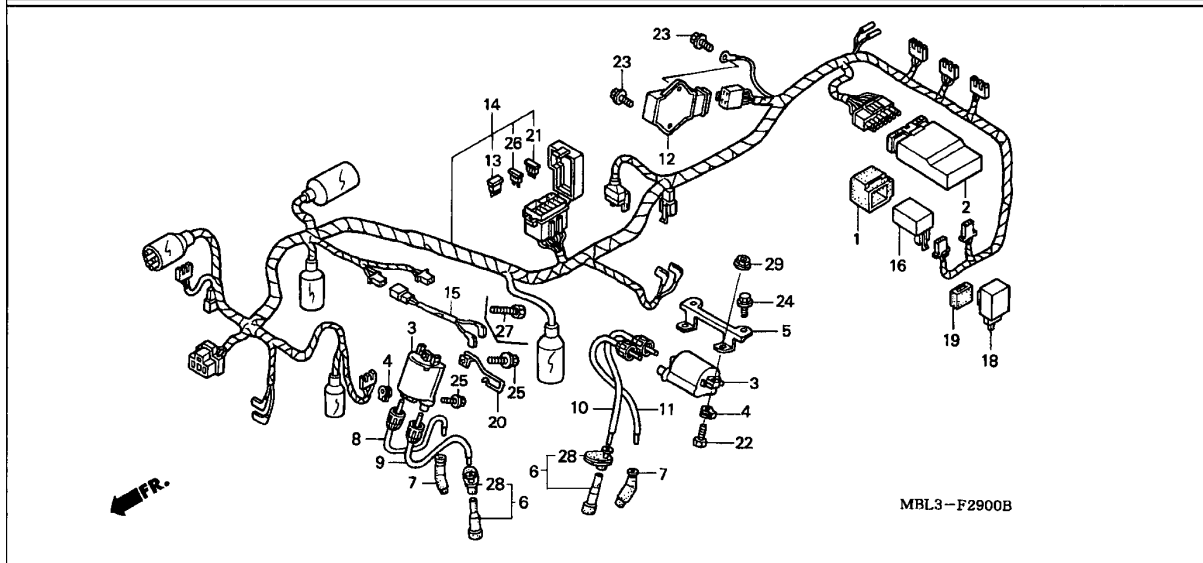
Service item	F.R.T.
BULB, WEDGE BASE .....	0.1
(SAME TIME FOR TWO	
UNITS OR MORE)	
TAILLIGHT UNIT .....	0.6

Ref No	Part No	Description	Qty
1	19051-KA3-830	RUBBER, RADIATOR MOUNTING	3
2	19052-KA3-830	COLLAR, RADIATOR MOUNTING	3
3	33701-MBL-611	TAILLIGHT UNIT	1
4	33720-GZ9-003	SOCKET	3
5	34906-MBB-611	BULB, WEDGE BASE (STANLEY)(12V 21/5W ECE)	3
6	93500-06025-0A	SCREW, PAN, 6X25	3
7	90320-MBL-610	NUT, SPRING, 6MM	3



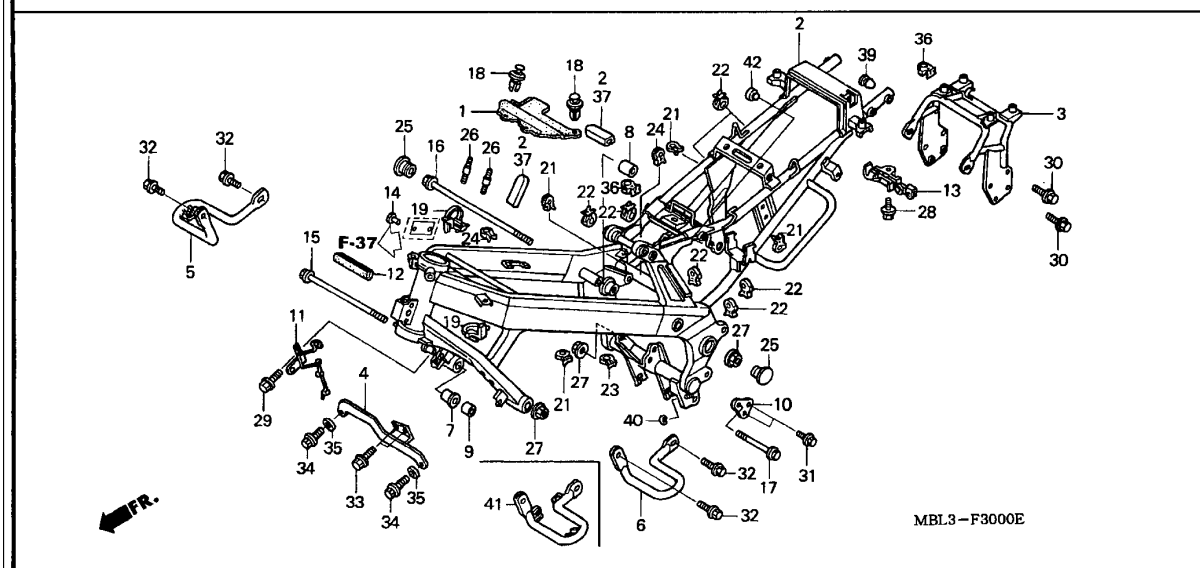
Service item	F.R.T.
BATTERY .....	0.2
.CABLE, STARTER BATTERY	
SWITCH ASSY., STARTER MAGNETIC	0.3
CABLE, BATTERY EARTH .....	0.6

Ref No	Part No	Description	Qty
1	31500-MCJ-642	BATTERY (YTZ10S)(YUASA)	1
2	32401-MBL-610	CABLE, STARTER BATTERY	1
3	32406-KAZ-000	COVER, STARTER MAGNETIC TERMINAL	1
4	35850-MR5-007	SWITCH ASSY., STARTER MAGNETIC	1
5	35856-KAZ-003	RUBBER, SHOCK	1
6	90111-MR5-000	BOLT, SOCKET, 5X9	2
7	98200-33000	FUSE, BLADE (30A)	2
8	32601-MBL-610	CABLE, BATTERY EARTH	1



Service item	F.R.T.
RELAY COMP., WINKER .....	0.2
RELAY, FUEL CUT .....	0.4
RECTIFIER ASSY., REGULATE ....	0.5
SPARK UNIT	
COIL COMP., IGNITION .....	0.7
(FR.CYLINDER SIDE 0.9)	
HARNESS, WIRE .....	2.1

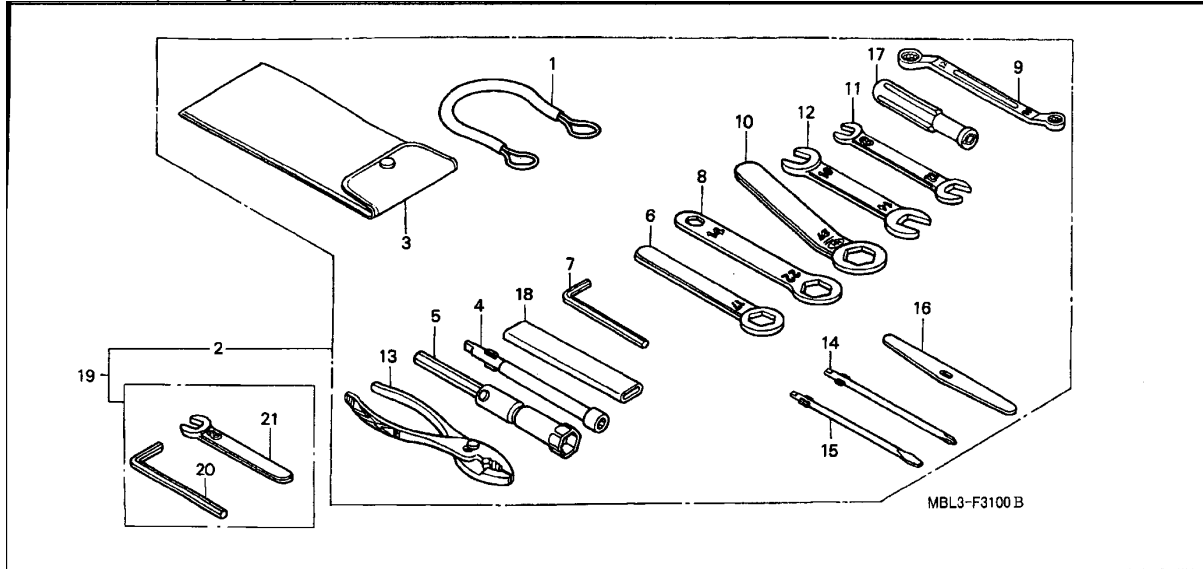
Ref No	Part No	Description	Qty
1	30401-GE8-000	CUSHION, C.D.I. UNIT	1
2	30410-MBL-D01	SPARK UNIT	1
3	30510-MM8-003	COIL COMP., IGNITION (TEC)	2
4	30520-ML7-000	SPACER, IGNITION COIL	4
5	30525-MBL-610	STAY, RR. IGNITION COIL	1
6	30701-MF5-000	CAP ASSY., NOISE SUPPRESSOR	2
7	30701-MN8-010	CAP ASSY., NOISE SUPPRESSOR	2
8	30751-MN8-670	CORD HIGH TENSION 1,	1
9	30752-MN8-670	CORD HIGH TENSION 2,	1
10	30753-MS9-600	CORD HIGH TENSION 3,	1
11	30754-MS9-760	CORD HIGH TENSION 4,	1
12	31600-KGB-901	RECTIFIER ASSY., REGULATE	1
13	31730-MAS-601	DIODE ASSY., THREE WAY (SUMITOMO)	1
14	32100-MBL-F00	HARNESS, WIRE	1
14	32100-MBL-D00	HARNESS, WIRE	1
15	32110-MS9-000	SUB HARNESS, IGNITION	1
16	36100-MN4-008	RELAY, FUEL CUT (SHINDENGEN)	1
18	38301-MBW-D21	RELAY COMP., WINKER (DENSO)	1
19	38306-GE8-008	SUSPENSION, WINKER RELAY (DENSO)	1
20	50732-MBL-610	GUIDE, THROTTLE CABLE	1
21	91501-MBL-610	FUSE, BLADE (3A)(MINI)	3
22	92101-06020-4J	BOLT, HEX., 6X20	2
23	95701-06014-00	BOLT, FLANGE, 6X14	2
24	96300-06012-00	BOLT, FLANGE, 6X12	2
26	98200-41000	FUSE, MINI (10A)	5
27	92101-06020-4J	BOLT, HEX., 6X20	2
28	30605-MF5-000	SEAL, PLUG CAP	2
29	94050-06000	NUT, FLANGE, 6MM	2



Service item	F.R.T.
GUARD, L. ENGINE .....	0.1
(NT650V2,3,4,5 MODEL 0.2)	
.GUARD, R. ENGINE	
PLATE COMP., FR. CROSS .....	0.5
STAY, RR. GRAB RAIL .....	0.7
BODY COMP., FRAME .....	*8.7

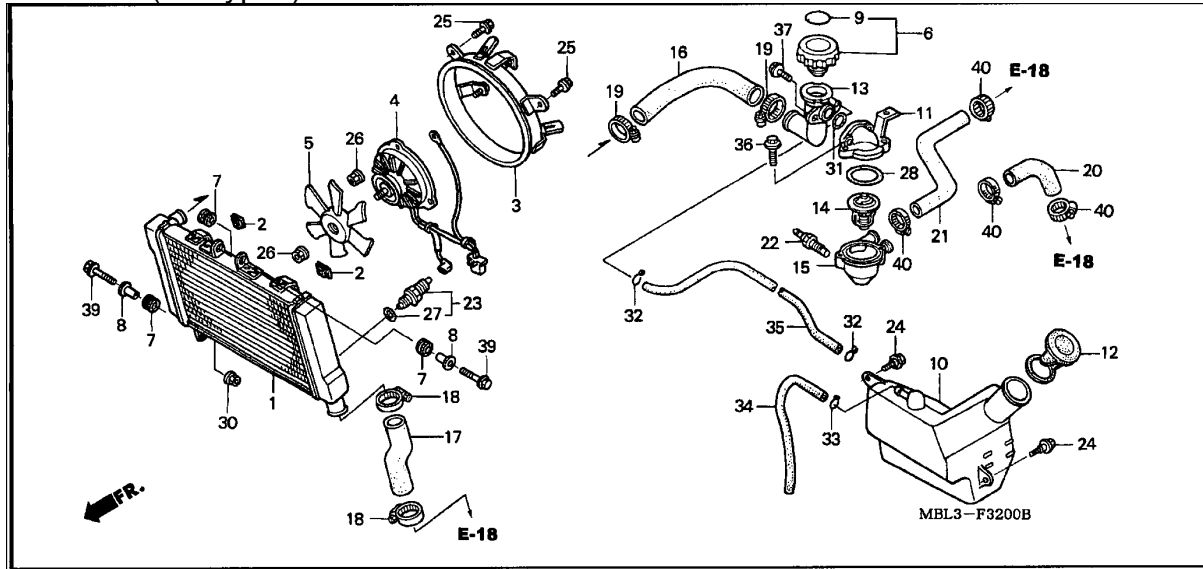
Ref No	Part No	Description	Qty
1	19125-MBL-610	PLATE, CARBURETOR HEAT GUARD	1
2	50100-MBL-D00ZA	BODY COMP., FRAME *NH167MU* IRON NAIL SILVER METALLIC-U	1
3	50250-MBL-610	STAY, RR. GRAB RAIL	1
4	50260-MBL-D00	PLATE COMP., FR. CROSS	1
5	50270-MBL-730	GUARD, R. ENGINE	1
7	50353-MBL-610	COLLAR, R. FR. ENGINE HANGER	1
8	50357-MBL-610	COLLAR, RR. ENGINE HANGER (10.5X22X21.5)(SELECT)	1
8	50354-MBL-610	COLLAR, RR. ENGINE HANGER (10.5X22X20)(SELECT)	1
9	50355-MBL-610	COLLAR, L. FR. ENGINE HANGER	1
10	50356-MBL-610	PLATE, RR. ENGINE HANGER	1
11	50731-MBL-610	GUIDE, CLUTCH CABLE	1
12	64105-MBL-610	RUBBER, PROTECTOR	1
13	77220-KY6-000	HOOK, SEAT CATCH	1
14	90040-GAS-900	RIVET, BLIND, 2.4X7	2
15	90101-KE8-000	BOLT, FLANGE, 10X260	1
16	90104-MS9-750	BOLT, ENGINE HANGER UPPER	1
17	90154-KE7-000	BOLT, UBS, 10X141	1
18	90657-SB0-003	CLIP, SPLASH SHIELD	3
19	90690-GHB-611	CLIP, HARNESS BAND, 25MM	2
21	90690-GHB-651	CLIP, CABLE, 15MM	4
22	90690-GHB-661	CLIP, CABLE, 20MM	7
23	90690-GHB-671	CLIP, CABLE, 25MM	1
24	90690-GHB-681	CLIP, CABLE, 30MM	2
25	90851-MBL-D00	CAP, FRAME SIDE	2
26	92900-06028-0B	BOLT, STUD, 6X28	2
27	94050-10000	NUT, FLANGE, 10MM	3
28	96001-06020-00	BOLT, FLANGE, 6X20	1
29	96300-06012-00	BOLT, FLANGE, 6X12	1
30	96300-08014-00	BOLT, FLANGE, 8X14	6
31	96300-08018-07	BOLT, FLANGE, 8X18	2
32	96300-08020-00	BOLT, FLANGE, 8X20	4

Ref No	Part No	Description	Qty
33	96300-08020-07	BOLT, FLANGE, 8X20	2
34	90110-MBL-610	BOLT, FLANGE, 8X25	2
35	90401-MBL-610	WASHER, 8MM	2
36	90690-GHB-641	CLIP, CABLE, 10MM	2
37	90602-MBL-730	CLIP, CAP	2
39	90899-422-610	PLUG, CONE TYPE	1
40	94540-06018	E-RING, 6MM	1
41	50280-MBL-D00	GUARD, L. ENGINE	1
42	77212-965-000	RUBBER, SEAT SIDE	1



Service item	F.R.T.
NO INFORMATION .....	

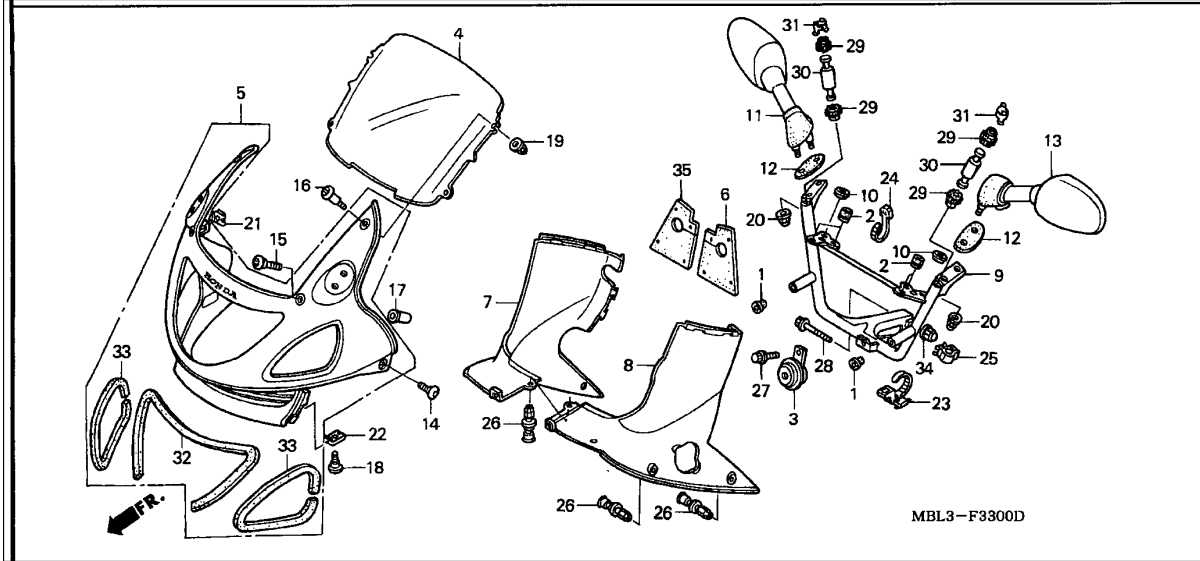
Ref No	Part No	Description	Qty
1	77236-KEA-000	WIRE, HELMET SETTING	1
3	89101-300-010	BAG, TOOL	1
4	89211-KJ2-000	WRENCH, BOX (8MM)	1
5	89216-MR5-830	WRENCH, BOX (18MM)	1
6	89218-MN8-000	WRENCH, EYE, 17	1
7	89221-429-000	WRENCH, HEX., 5MM	1
8	89223-MJ0-920	WRENCH, EYE, 14X22	1
9	89227-461-000	WRENCH, EYE, 10X12	1
10	99006-27000	WRENCH, EYE, 27MM	1
12	99001-10140	SPANNER, 10X14	1
13	89210-GBJ-J00	PLIERS, 135(RIKEN)	1
13	99002-13500	PLIERS, 135	1
13	89210-GBJ-J10	PLIERS, 135(KOWA)	1
14	99003-10000	DRIVER PLUS SCREW 1,(NO.2)	1
15	99003-30000	DRIVER MINUS SCREW 3,(NO.2)	1
17	99003-50000	GRIP, SCREW DRIVER	1
18	99006-12000	HANDLE, EYE WRENCH, 12MM	1
19	89010-MBL-910	TOOL SET	1
20	89221-MF8-770	WRENCH, HEX., 3MM	1
21	99001-08000	SPANNER, 8	1



Service item	F.R.T.
CAP COMP., RADIATOR .....	0.3
HOSE, RADIATOR LOWER .....	0.5
.THERMOSWITCH ASSY.	
FAN, COOLING .....	0.6
.SHROUD COMP.	
MOTOR ASSY., FAN .....	0.8
.RADIATOR COMP.	
CAP, THERMOSTAT .....	0.9
.HOSE A, WATER	
.HOSE B, OUTLET WATER	
.NECK, FILLER	
.SWITCH ASSY., THERMO	
CASE, THERMOSTAT .....	1.0
.HOSE A, OUTLET WATER	
.TANK, RESERVE	
.THERMOSTAT ASSY.	

Ref No	Part No	Description	Qty
1	19010-MBL-611	RADIATOR COMP.	1
2	19014-KEA-003	NUT, SETTING	3
3	19015-MBL-600	SHROUD COMP.	1
4	19030-MBL-610	MOTOR ASSY., FAN	1
5	19040-MF5-751	FAN, COOLING (TOYO)	1
6	19045-MY3-621	CAP COMP., RADIATOR	1
7	19051-KA3-830	RUBBER, RADIATOR MOUNTING	3
8	19052-MN8-000	COLLAR, RADIATOR MOUNTING	2
9	19055-MV9-881	SEAL, RADIATOR CAP (ENGLISH/FRENCH/JAPANESE)	1
10	19101-MBL-610	TANK, RESERVE	1
11	19103-MZ6-730	CAP, THERMOSTAT	1
12	19104-MB0-700	CAP, RESERVE TANK	1
13	19106-MN8-000	NECK, FILLER	1
14	19300-KE8-000	THERMOSTAT ASSY.	1
15	19311-MZ6-730	CASE, THERMOSTAT	1
16	19505-MBL-600	HOSE A, WATER	1
17	19506-MBL-600	HOSE, RADIATOR LOWER	1
18	19509-MM5-003	CLAMPER, RADIATOR HOSE	2
19	19516-ML7-691	CLAMP, HOSE, 24-32MM	2
20	19521-MN8-740	HOSE A, OUTLET WATER	1
21	19522-MN8-000	HOSE B, OUTLET WATER	1
22	37760-MAV-003	SWITCH ASSY., THERMO	1
23	37760-MR1-003	THERMOSWITCH ASSY.	1
24	90111-162-000	BOLT, FLANGE, 6MM	2

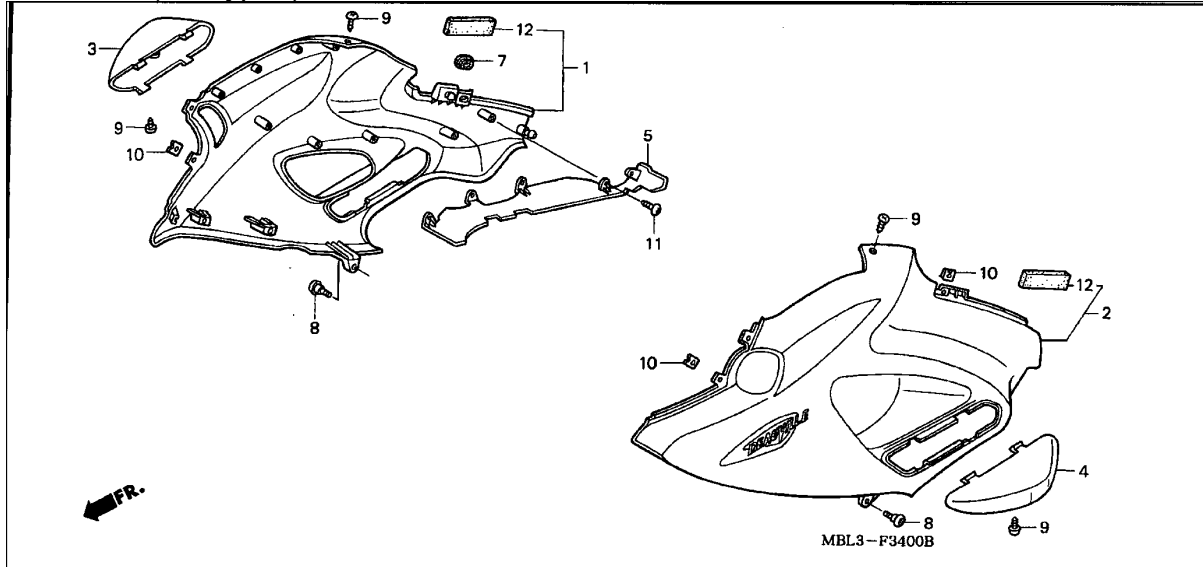
Ref No	Part No	Description	Qty
25	90120-KCR-003	BOLT-WASHER,6X16	3
26	90315-MK3-003	NUT, SERRATE, 5MM	4
27	91307-611-000	O-RING, 13.5X1.4	1
28	91311-KE8-000	O-RING, 47.5X2	1
30	94050-06070	NUT, FLANGE, 6MM	1
31	94608-30000	O-RING, 23X2.4	1
32	95002-02120	CLIP, TUBE (B12)	2
33	95002-70000	CLIP, TUBE (C11)	1
34	95005-70535-30	TUBE, 7X535(95005-70001-30M)	1
35	95005-75950-20	TUBE, 7X950(95005-70001-20M)	1
36	95701-06020-07	BOLT, FLANGE, 6X20	2
37	96001-06014-00	BOLT, FLANGE, 6X14	2
39	96300-06025-07	BOLT, FLANGE, 6X25	2
40	19506-KS6-700	CLAMP B, WATER HOSE	4



Service item	F.R.T.
MIRROR ASSY., L. BACK .....	0.1
MIRROR ASSY., R. BACK .....	0.1
COWL, L. INNER HALF .....	0.2
(ADD 0.1 FOR EACH.)	
COWL, R. INNER HALF .....	0.2
HORN COMP. ....	
WINDSCREEN .....	
STAY, UPPER COWL .....	0.5
COWL SET, FR. UPPER .....	0.6

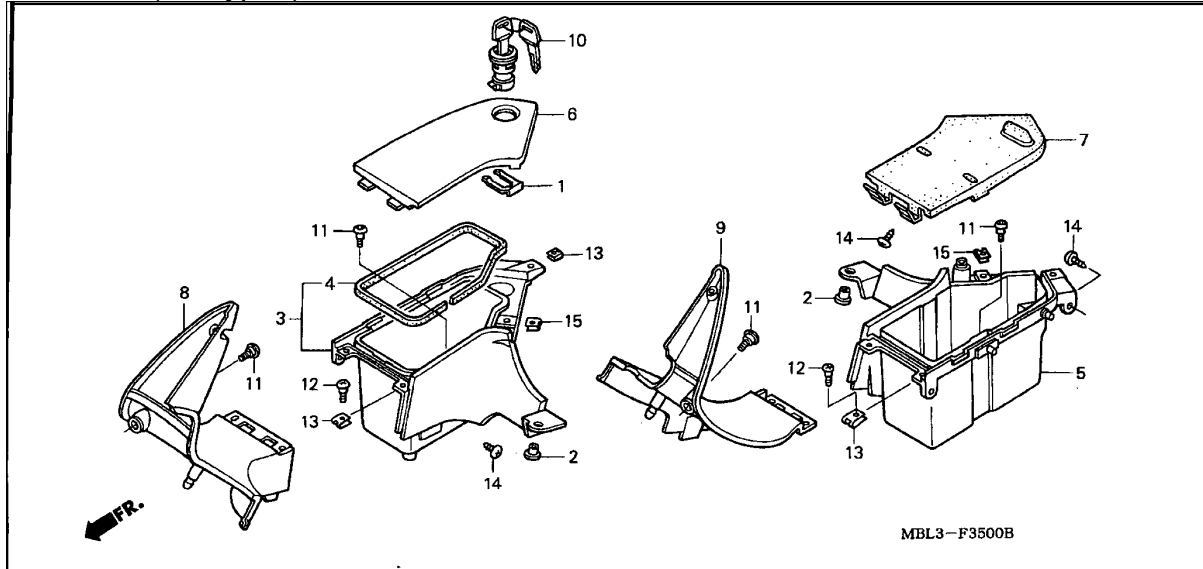
Ref No	Part No	Description	Qty
1	33647-443-740	RUBBER, RR. WINKER	2
2	37215-MA6-008	RUBBER, METER CUSHION	4
3	38120-MAK-003	HORN COMP. (LOW)	1
4	64200-MBL-610	WINDSCREEN	1
5	64215-MBL-D40ZA	COWL SET, FR. UPPER *TYPE5* (WL)	1
5	64215-MBL-D00ZJ	COWL SET, FR. UPPER *TYPE3 2*(WL)	1
5	64215-MBL-D00ZH	COWL SET, FR. UPPER *TYPE2 2*(WL)	1
5	64215-MBL-D00ZD	COWL SET, FR. UPPER *TYPE4* (WL)	1
6	64267-MBL-D00	RUBBER, FR. AIR GUIDE	1
7	64270-MBL-D00	COWL, R. INNER HALF	1
8	64280-MBL-610	COWL, L. INNER HALF	1
9	64501-MBL-610	STAY, UPPER COWL	1
10	83551-GE2-000	GROMMET, AIR CLEANER CASE	2
11	88110-MBL-610	MIRROR ASSY., R. BACK	1
12	88114-MBB-000	RUBBER B, BACK MIRROR SEAT	2
13	88120-MBL-610	MIRROR ASSY., L. BACK	1
14	90106-KCZ-000	SCREW, SPECIAL, 6MM	4
15	90108-MAT-000	SCREW, PAN, 5X21	2
16	90109-MBL-610	SCREW, PAN, 5X15.5	2
17	90111-MM9-000	NUT, COWL SETTING, 5MM	2
18	90115-KW7-900	SCREW, VISOR SPECIAL SETTING	2
19	90167-SA0-980	NUT, FLANGE CAP, 5MM	2
20	94050-06070	NUT, FLANGE, 6MM	4
21	90320-MBL-610	NUT, SPRING, 6MM	2
22	90330-MBL-610	NUT, SPRING, 5MM	2
23	90651-MA6-720	BAND, WIRE HARNESS	1
24	90690-GHB-611	CLIP, HARNESS BAND, 25MM	1
25	90690-GHB-651	CLIP, CABLE, 15MM	4
26	91549-MW0-790ZA	CLIP, PANEL FIXING *NH1*BLACK	5

Ref No	Part No	Description	Qty
27	95701-08012-08	BOLT, FLANGE, 8X12	1
28	96400-08040-07	BOLT, FLANGE, 8X40	2
29	53106-KR3-770	RUBBER A, HANDLE WEIGHT	4
30	53106-MBB-000	WEIGHT	2
31	53108-MAT-000	RING, HANDLE WEIGHT SNAP	2
32	64212-MBL-610	MAT, HEADLIGHT	1
33	64213-MBL-610	MAT, FR. WINKER	2
34	90322-S10-003	NUT, CAP, 8MM	2
35	64257-MBL-D00	RUBBER, R. FR. AIR GUIDE	1



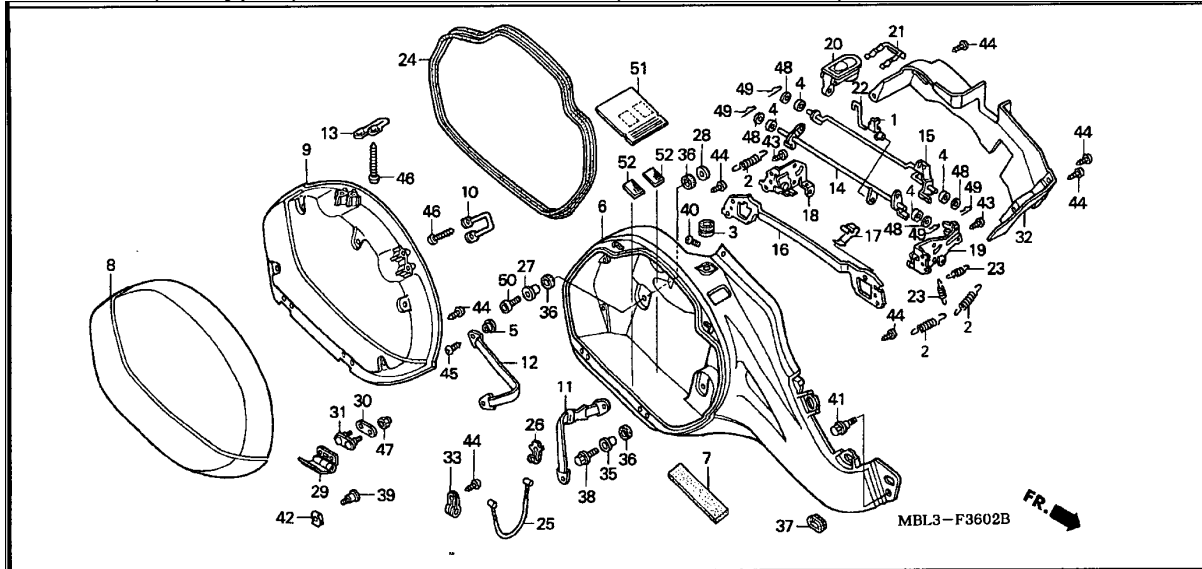
Service item	F.R.T.
COVER, L. COWL PROTECTOR -----	0.1
(SAME TIME FOR TWO UNITS)	
.COVER, R. COWL PROTECTOR	
COWL SET, L. MIDDLE -----	0.3
(ADD 0.2 FOR EACH.)	
.COWL SET, R. MIDDLE	
.GUIDE, R. MIDDLE COWL AIR	

Ref No	Part No	Description	Qty
1	64231-MBL-730ZA	COWL SET, R. MIDDLE *TYPE4* (WL)	1
1	64231-MBL-730ZC	COWL SET, R. MIDDLE *TYPE6* (WL)	1
1	64231-MBL-D00ZD	COWL SET, R. MIDDLE *TYPE9 2*(WL)	1
1	64231-MBL-D40ZA	COWL SET, R. MIDDLE *TYPE10* (WL)	1
2	64241-MBL-730ZA	COWL SET, L. MIDDLE *TYPE4* (WL)	1
2	64241-MBL-730ZC	COWL SET, L. MIDDLE *TYPE6* (WL)	1
2	64241-MBL-D00ZD	COWL SET, L. MIDDLE *TYPE9 2*(WL)	1
2	64241-MBL-D40ZA	COWL SET, L. MIDDLE *TYPE10* (WL)	1
3	64250-MBL-610	COVER, R. COWL PROTECTOR	1
4	64260-MBL-610	COVER, L. COWL PROTECTOR	1
5	64266-MBL-610	GUIDE, R. MIDDLE COWL AIR	1
7	83551-GE2-000	GROMMET, AIR CLEANER CASE	1
8	90106-KCZ-000	SCREW, SPECIAL, 6MM	2
9	90108-MAT-000	SCREW, PAN, 5X21	4
10	90320-MBL-610	NUT, SPRING, 6MM	5
11	93903-34320	SCREW, TAPPING, 4X12	4
12	64234-MBL-610	RUBBER, MIDDLE COWL	2



Service item	F.R.T.
LOCK ASSY., POCKET LID .....	0.1
.PANEL, L. INNER	
.PANEL, R. INNER	
POCKET COMP., R. COWL .....	0.3
.POCKET, L. COWL	

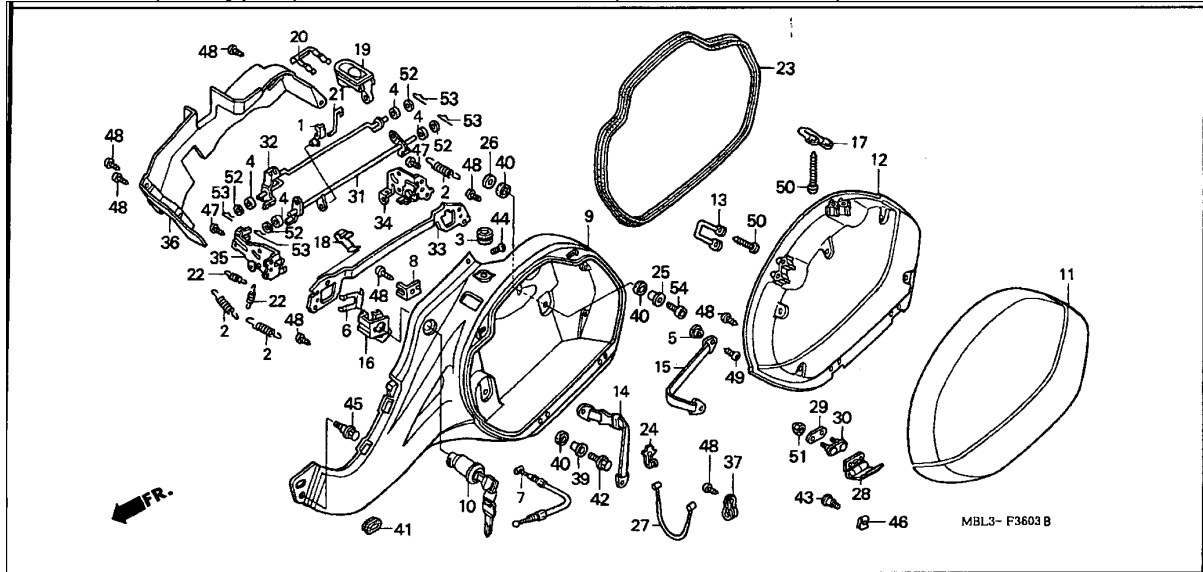
Ref No	Part No	Description	Qty
1	37222-MBL-610	SPRING, LOCK KEY SET	1
2	61104-MC8-000	COLLAR, FR. ORNAMENT	2
3	64226-MBL-610	POCKET COMP., R. COWL	1
4	64228-MBL-610	SEAL, R. POCKET COWL	1
5	64235-MBL-610	POCKET, L. COWL	1
6	64245-MBL-610	LID, R. POCKET	1
7	64255-MBL-730	LID, L. POCKET	1
8	64265-MBL-730	PANEL, R. INNER	1
9	64275-MBL-730	PANEL, L. INNER	1
10	77233-MBL-611	LOCK ASSY., POCKET LID	1
11	90106-KCZ-000	SCREW, SPECIAL, 6MM	4
12	90115-KW7-900	SCREW, VISOR SPECIAL SETTING	4
13	90330-MBL-610	NUT, SPRING, 5MM	6
14	93903-34320	SCREW, TAPPING, 4X12	8
15	90304-SE3-000	NUT, CLIP, 5MM	2



Service item	F.R.T.
INNER LID, R. SADDLEBAG .....	0.2
.LID, R. SADDLEBAG	
COVER, R. SADDLEBAG CATCH .....	0.5
LEVER COMP., COWL LID OPENER	0.6
COWL, R. SEAT .....	0.7
PLATE, R. SADDLEBAG CATCH BASE (INC. RELATIVE PART)	0.8

Ref No	Part No	Description	Qty
1	16263-ZJ4-003	JOINT, ROD	1
2	16534-ZJ1-U80	SPRING, RETURN	3
3	33606-428-610	RUBBER, WINKER BOLT MOUNTING	1
4	50618-KE8-000	COLLAR, 6.5X11X3	4
5	61102-329-300	COLLAR, RIVETING	4
6	77220-MBL-D00ZH	COWL, R. SEAT *NH480M* SHIELD SILVER METALLIC	1
6	77220-MBL-D00ZC	COWL, R. SEAT *R247M* PENNANT RED METALLIC	1
6	77220-MBL-D00ZA	COWL, R. SEAT *NH138* SHASTA WHITE	1
6	77220-MBL-D00ZJ	COWL, R. SEAT *PB297M*SEVILLA BLUE METALLIC	1
7	77223-MBL-D00	GUARD, HEAT	1
8	77227-MBL-D00ZC	LID, R. SADDLEBAG *R247M* PENNANT RED METALLIC	1
8	77227-MBL-D00ZA	LID, R. SADDLEBAG *NH138* SHASTA WHITE	1
8	77227-MBL-D00ZH	LID, R. SADDLEBAG *NH480M* SHIELD SILVER METALLIC	1
8	77227-MBL-D00ZJ	LID, R. SADDLEBAG *PB297M*SEVILLA BLUE METALLIC	1
9	77228-MBL-D00	INNER LID, R. SADDLEBAG	1
10	77239-MBL-D00	BAR A, SADDLEBAG LID LOCK	1
11	77240-MBL-D00	BAND COMP. A, SADDLEBAG	1
12	77245-MBL-D00	BAND COMP. B, SADDLEBAG	1
13	77249-MBL-D00	BAR B, SADDLEBAG LID LOCK	1
14	77252-MBL-610	CAM, R. SADDLEBAG CATCH SECOND	1
15	77253-MBL-610	CAM, R. SADDLEBAG CATCH THIRD	1
16	77256-MBL-610	PLATE, R. SADDLEBAG CATCH BASE	1
17	77257-MBL-D00	PLATE, SADDLEBAG CATCH STOPPER	1
18	77258-MBL-610	PLATE COMP. A, R. SADDLEBAG CATCH	1
19	77259-MBL-610	PLATE COMP. B, R. SADDLEBAG CATCH	1
20	77260-MBL-D00	LEVER COMP., COWL LID OPENER	1
21	77265-MBL-610	SPRING, LID OPENER SETTING	1
22	77266-MBL-D00	ROD, OPENER	1
23	77269-MBL-610	SPRING, RETURN	2
24	77270-MBL-D00	RUBBER, SADDLEBAG SEAL	1
25	77280-MBL-D00	CABLE, R. LID STOPPER	1
26	77285-MBL-D00	STAY, STOPPER CABLE	1

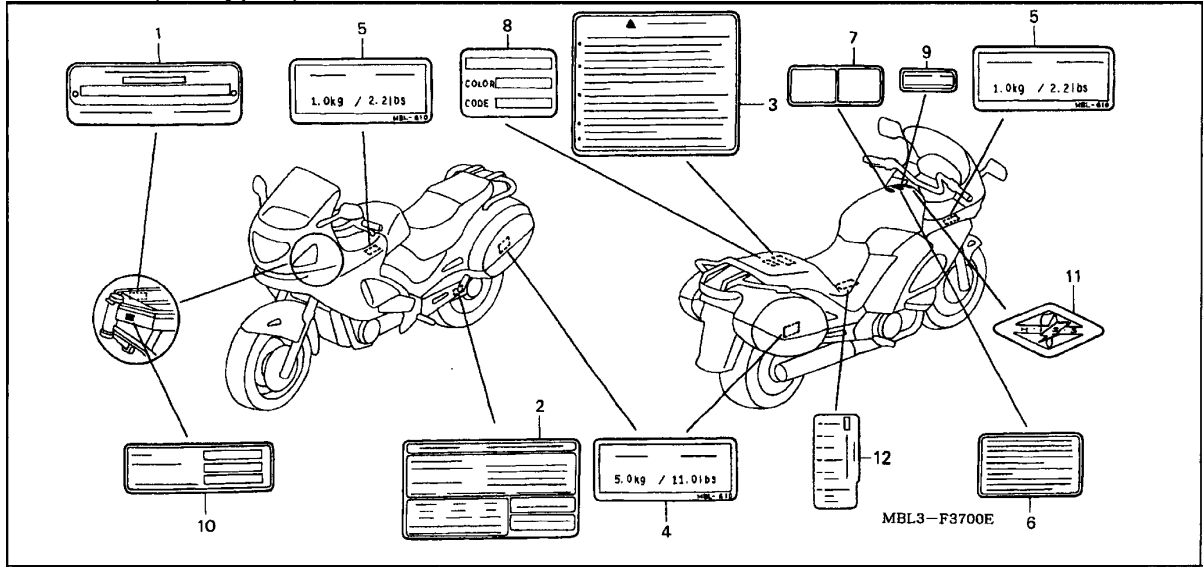
Ref No	Part No	Description	Qty
27	77288-MBL-610	COLLAR, SADDLEBAG MOUNTING	1
28	77289-MBL-610	WASHER, SADDLEBAG MOUNTING	1
29	77295-MBL-D00	HINGE COMP., SADDLEBAG	2
30	77301-MBL-D00	RUBBER, SADDLEBAG HINGE	2
31	77302-MBL-D00	PLATE ASSY., SADDLEBAG HINGE	2
32	77360-MBL-D00	COVER, R. SADDLEBAG CATCH	1
33	81254-MN5-000	STAY B, LID STOPPER	1
35	81355-MN5-000	COLLAR, SADDLEBAG MOUNTING	3
36	81356-MN5-000	RUBBER, BAG MOUNT	5
37	83551-MA6-000	GROMMET, SIDE COVER	1
38	90085-MAJ-A20	BOLT, SPECIAL, 6X22	3
39	90104-MBL-D00	SCREW, SPECIAL, 5MM	4
40	90109-SB6-000	SCREW, TRUSS, 5X16	1
41	90116-ME9-000	BOLT, FLANGE, 6MM	1
42	90677-KAN-961	NUT, CLIP, 5MM	4
43	93901-25180	SCREW, TAPPING, 5X10	2
44	93903-25280	SCREW, TAPPING, 5X12	14
45	93903-25380	SCREW, TAPPING, 5X16	4
46	93903-25780	SCREW, TAPPING, 5X35	4
47	94021-05000-0S	NUT, CAP, 5MM	4
48	94101-06000	WASHER, PLAIN, 6MM	4
49	94251-06000	PIN, LOCK, 6MM	4
50	96600-06040-07	BOLT, SOCKET, 6X40	1



Service item	F.R.T.
HINGE COMP., SADDLEBAG .....	0.2
. INNER LID, L. SADDLEBAG	
. KEY, SEAT LOCK	
. LID, L. SADDLEBAG	
COVER, L. SADDLEBAG CATCH .....	0.5
LEVER COMP., COWL LID OPENER .	0.6
COWL, L. SEAT .....	0.7
PLATE, L. SADDLEBAG CATCH BASE	0.8

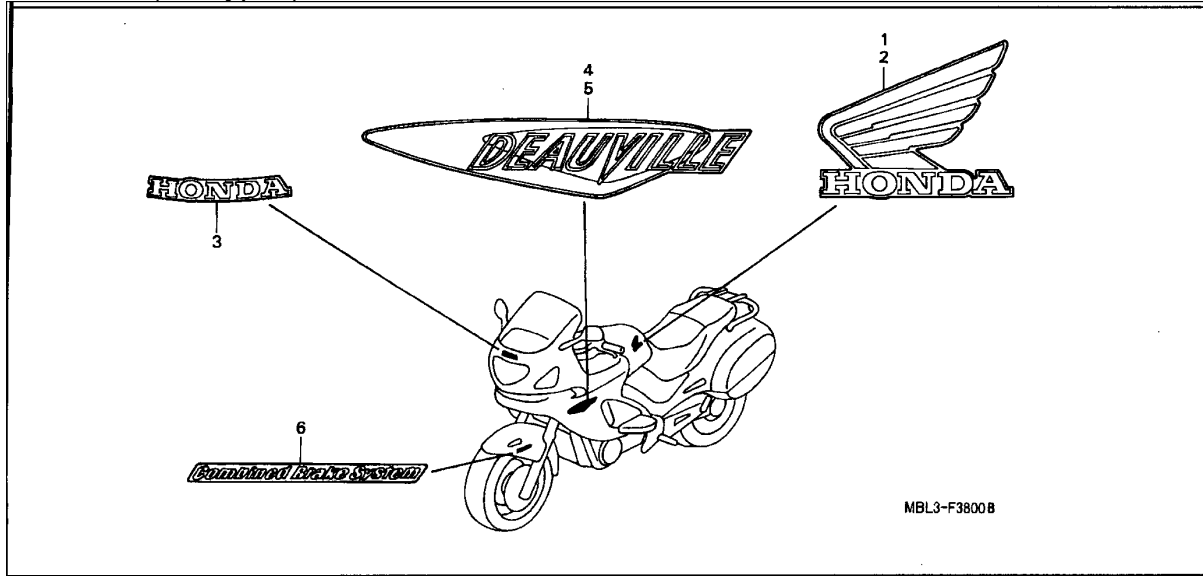
Ref No	Part No	Description	Qty
1	16263-ZJ4-003	JOINT, ROD	1
2	16534-ZJ1-U80	SPRING, RETURN	3
3	33606-428-610	RUBBER, WINKER BOLT MOUNTING	1
4	50618-KE8-000	COLLAR, 6.5X11X3	4
5	61102-329-300	COLLAR, RIVETING	4
6	75581-673-000	SPRING, LOCK KEY SETTING	1
7	77155-MBL-610	CABLE, SEAT LOCK	1
8	77157-MBL-610	STAY, COWL LID LOCK CABLE	1
9	77230-MBL-D00ZA	COWL, L. SEAT *NH138* SHASTA WHITE	1
9	77230-MBL-D00ZH	COWL, L. SEAT *NH480M* SHIELD SILVER METALLIC	1
9	77230-MBL-D00ZC	COWL, L. SEAT *R247M* PENNANT RED METALLIC	1
9	77230-MBL-D00ZJ	COWL, L. SEAT *PB297M* SEVILLA BLUE METALLIC	1
10	77234-MBL-611	KEY, SEAT LOCK	1
11	77237-MBL-D00ZH	LID, L. SADDLEBAG *NH480M* SHIELD SILVER METALLIC	1
11	77237-MBL-D00ZJ	LID, L. SADDLEBAG *PB297M* SEVILLA BLUE METALLIC	1
11	77237-MBL-D00ZA	LID, L. SADDLEBAG *NH138* SHASTA WHITE	1
11	77237-MBL-D00ZC	LID, L. SADDLEBAG *R247M* PENNANT RED METALLIC	1
12	77238-MBL-D00	INNER LID, L. SADDLEBAG	1
13	77239-MBL-D00	BAR A, SADDLEBAG LID LOCK	1
14	77240-MBL-D00	BAND COMP. A, SADDLEBAG	1
15	77245-MBL-D00	BAND COMP. B, SADDLEBAG	1
16	77247-MBL-610	STAY, COWL LID LOCK CABLE	1
17	77249-MBL-D00	BAR B, SADDLEBAG LID LOCK	1
18	77257-MBL-D00	PLATE, SADDLEBAG CATCH STOPPER	1
19	77260-MBL-D00	LEVER COMP., COWL LID OPENER	1
20	77265-MBL-610	SPRING, LID OPENER SETTING	1
21	77266-MBL-D00	ROD, OPENER	1
22	77269-MBL-610	SPRING, RETURN	2

Ref No	Part No	Description	Qty
23	77270-MBL-D00	RUBBER, SADDLEBAG SEAL	1
24	77285-MBL-D00	STAY, STOPPER CABLE	1
25	77288-MBL-610	COLLAR, SADDLEBAG MOUNTING	1
26	77289-MBL-610	WASHER, SADDLEBAG MOUNTING	1
27	77290-MBL-D00	CABLE, L. LID STOPPER	1
28	77295-MBL-D00	HINGE COMP., SADDLEBAG	2
29	77301-MBL-D00	RUBBER, SADDLEBAG HINGE	2
30	77302-MBL-D00	PLATE ASSY., SADDLEBAG HINGE	2
31	77352-MBL-610	CAM, L. SADDLEBAG CATCH SECOND	1
32	77353-MBL-610	CAM, L. SADDLEBAG CATCH THIRD	1
33	77356-MBL-610	PLATE, L. SADDLEBAG CATCH BASE	1
34	77358-MBL-610	PLATE COMP. A, L. SADDLEBAG CATCH	1
35	77359-MBL-610	PLATE COMP. B, L. SADDLEBAG CATCH	1
36	77370-MBL-D00	COVER, L. SADDLEBAG CATCH	1
37	81254-MN5-000	STAY B, LID STOPPER	1
39	81355-MN5-000	COLLAR, SADDLEBAG MOUNTING	3
40	81356-MN5-000	RUBBER, BAG MOUNT	5
41	83551-MA6-000	GROMMET, SIDE COVER	1
42	90085-MAJ-A20	BOLT, SPECIAL, 6X22	3
43	90104-MBL-D00	SCREW, SPECIAL, 5MM	4
44	90109-SB6-000	SCREW, TRUSS, 5X16	1
45	90116-ME9-000	BOLT, FLANGE, 6MM	1
46	90677-KAN-961	NUT, CLIP, 5MM	4
47	93901-25180	SCREW, TAPPING, 5X10	2
48	93903-25280	SCREW, TAPPING, 5X12	14
49	93903-25380	SCREW, TAPPING, 5X16	4
50	93903-25780	SCREW, TAPPING, 5X35	4
51	94021-05000-0S	NUT, CAP, 5MM	4
52	94101-06000	WASHER, PLAIN, 6MM	4
53	94251-06000	PIN, LOCK, 6MM	4
54	96600-06040-07	BOLT, SOCKET, 6X40	1



Service item	F.R.T.	Service item	F.R.T.
NO INFORMATION .....		NO INFORMATION .....	

Ref No	Part No	Description	Qty
1	87501-KGB-P00	PLATE, REGISTERED NUMBER	1
2	87505-MBL-600	LABEL, TIRE	1
2	87505-MBL-620	LABEL, TIRE (FRENCH)	1
3	87512-MBL-600	LABEL, ACCESSORIES & LOADING	1
3	87512-MBL-620	LABEL, ACCESSORIES & LOADING (FRENCH)	1
4	87520-MBL-610	LABEL, CARGO LIMIT (5.0)	2
5	87521-MBL-610	LABEL, CARGO LIMIT (1.0)	2
6	87560-MZ0-611	LABEL, DRIVE (ENGLISH/FRENCH/GERMANY)	1
7	87560-MZ1-620	LABEL, FRENCH TRANSLATION	1
8	87565-MBL-D40ZA	LABEL, COLOR *TYPE2*(R247)	1
8	87565-MBL-D40ZB	LABEL, COLOR *TYPE3*(NH480)	1
8	87565-MBL-D40ZC	LABEL, COLOR *TYPE4*(NH138)	1
8	87565-MBL-D40ZD	LABEL, COLOR *TYPE5*(PB297)	1
8	87565-MBL-D60ZA	LABEL, COLOR *TYPE3*(NH480)	1
9	87586-KGF-900	LABEL, FUEL	1
9	87586-KGF-930	LABEL, FUEL (FRENCH)	1
11	17528-MAT-D70	MARK, HISS	1



MBL3-F38008

Service item	F.R.T.
NO INFORMATION .....	

Service item	F.R.T.
NO INFORMATION .....	

Ref No	Part No	Description	Qty
1	17516-MBL-D00ZB	MARK, R. FUEL TANK *TYPE2*	1
1	17516-MBL-D00ZC	MARK, R. FUEL TANK *TYPE3*	1
1	17516-MBL-D00ZD	MARK, R. FUEL TANK *TYPE4*	1
1	17516-MBL-D40ZA	MARK, R. FUEL TANK *TYPE5*	1
2	17517-MBL-D00ZB	MARK, L. FUEL TANK *TYPE2*	1
2	17517-MBL-D00ZC	MARK, L. FUEL TANK *TYPE3*	1
2	17517-MBL-D00ZD	MARK, L. FUEL TANK *TYPE4*	1
2	17517-MBL-D40ZA	MARK, L. FUEL TANK *TYPE5*	1
3	64211-MBL-D00ZB	MARK, FR. UPPER COWL *TYPE2*	1
3	64211-MBL-D00ZC	MARK, FR. UPPER COWL *TYPE3*	1
3	64211-MBL-D40ZA	MARK, FR. UPPER COWL *TYPE5*	1
3	64211-MBL-D00ZD	MARK, FR. UPPER COWL *TYPE4*	1
4	64232-MBL-730ZC	MARK, R. MIDDLE COWL *TYPE6*	1
4	64232-MBL-730ZA	MARK, R. MIDDLE COWL *TYPE4*	1
4	64232-MBL-D00ZA	MARK, R. MIDDLE COWL *TYPE9*	1
4	64232-MBL-D40ZA	MARK, R. MIDDLE COWL *TYPE10*	1
5	64233-MBL-730ZA	MARK, L. MIDDLE COWL *TYPE4*	1
5	64233-MBL-730ZC	MARK, L. MIDDLE COWL *TYPE6*	1
5	64233-MBL-D00ZA	MARK, L. MIDDLE COWL *TYPE9*	1
5	64233-MBL-D40ZA	MARK, L. MIDDLE COWL *TYPE10*	1
6	61105-MBL-D00ZB	MARK, FR. FENDER *TYPE2*	2
6	61105-MBL-D00ZC	MARK, FR. FENDER *TYPE3*	2
6	61105-MBL-D00ZD	MARK, FR. FENDER *TYPE4*	2
6	61105-MBL-D40ZA	MARK, FR. FENDER *TYPE5*	2